

FAA/PMA

REV.	DATE	APPROVED
1	98/12/01	RS
2	99/04/23	RS
3	00/09/18	RS
4	02/10/10	RS

GASKET SEALED, VENTED
SPDT SIDE STABLE
28 VDC
60 AMP

CONSTRUCTION
MAIN CONTACTS
CONFIGURATION
VOLTAGE-NOMINAL
CURRENT-RES.

AUX. CONTACTS
CONFIGURATION
VOLTAGE
CURRENT-RES.

COIL DATA
DUTY CYCLE
NOM. COIL VOLTAGE
PICKUP MAX.
DROPOUT VOLTAGE
COIL CURRENT (HOLD)
OPERATE TIME AT 28 VDC 25°C
RELEASE TIME AT 28 VDC 25°C

CONTINUOUS
28 VDC
15 VDC AT 25°C
2.5 - 6.5 VDC AT 25°C
2 AMP MAX. AT 28 VDC AT 25°C
TYPICAL 10 MS
MAX 20 MS
TYPICAL 8 MS
MAX. 15 MS

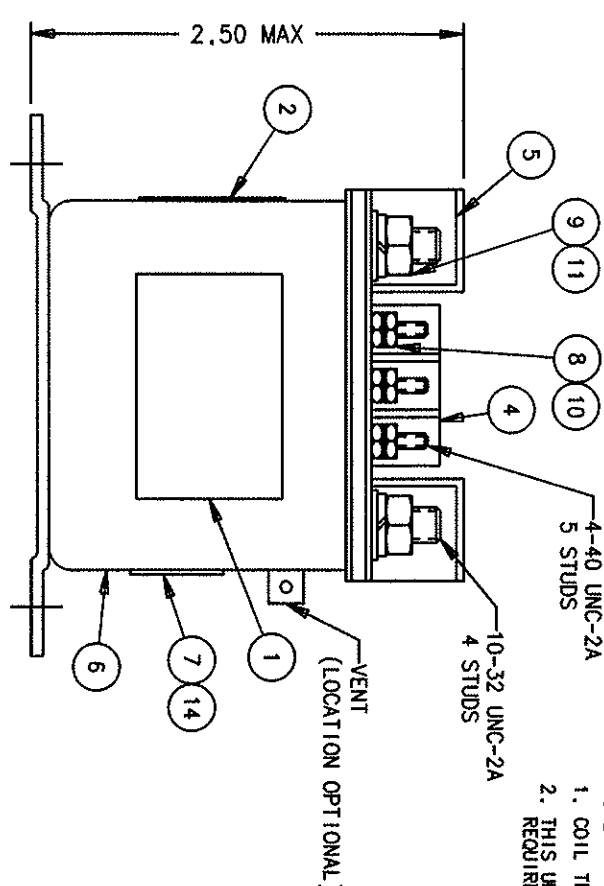
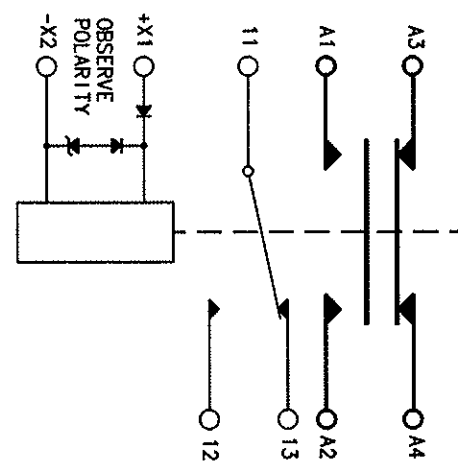
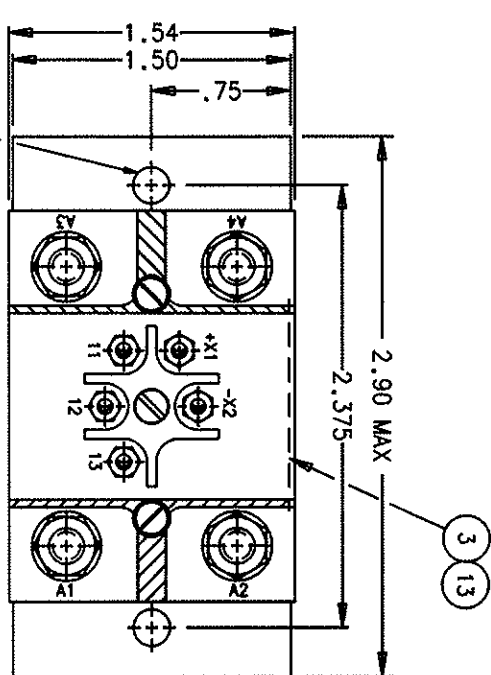
ENVIRONMENTAL DATA
AMBIENT TEMP.
ALTITUDE
SHOCK
VIBRATION
ACCELERATION

- 55°C TO + 71°C
50,000 FT. MAX.
25 G'S MAX. 6 TO 9 MILLISECONDS
10 G'S SINE
10 G'S

LIFE ELECTRICAL
LIFE MECHANICAL
WEIGHT MAX.

50,000 CYCLES MIN.
100,000 CYCLES MIN.
7.0 OZ.

- NOTE:
1. COIL TRANSIENT VOLTAGE LIMITED TO ± 45 VOLTS
2. THIS UNIT MEETS THE MATERIAL AND WORKMANSHIP REQUIREMENTS OF MIL-R-6106



REF.	QTY	PART OR IDENTIFYING NO.	NOMENCLATURE OR DESCRIPTION	FSK NO.	DEAGING OR SPECIFICATION	MATERIAL OR NOTE
14	1	39529-024	OVERLAY			
13	1	39529-007	OVERLAY			
12						
11	4	51810-054	WASHER - LOCK, NO.10, SPLIT			BRONZE
10	10	51804-014	WASHER - LOCK, NO.4, SPLIT			BRONZE
9	4	50410-054	NUT 10-32 X 5/16 X 9/64 HEX			BRASS
8	10	50404-044	NUT 4-40 X 5/32 X 1/16 HEX			BRASS
7	1	58400-168	PLATE - FAA/PMA			
6	1	42559-010	CONTACTOR ASSEMBLY - PRIMARY			
5	2	42765-040	TERMINAL SHIELD ASSEMBLY			
4	1	42775-010	TERMINAL SHIELD ASSEMBLY			
3	1	42775-091	PLATE - WIRING DIAGRAM			
2	1	25695-001	PLATE - WARNINGS			
1	1	16043-001	PLATE - NAME			

CANADAIR

UNLESS OTHERWISE SPECIFIED DIMENSIONS ARE IN INCHES TOLERANCES OR

2 PL. DEC.13 PL. DEC. JANGLES

±.06 ±.010 ± 1°

SCALE 1/1" SHEET

DR BY CSC 02/10/11

CHK BY 02/10/11

ENGR 02/10/11

SIZE 74063

CODE IDENT

DWG NO. NN-233C

REF TYCO P/N 0-1616095-2

TYCO Electronics
121 Hawthorn Division, 175 N. Diamond Street, Mansfield, Ohio 44902

CONTACTOR - D.C. SPDT
60 AMPS
093

X-ON Electronics

Largest Supplier of Electrical and Electronic Components

Click to view similar products for [General Purpose Relays](#) category:

Click to view products by [TE Connectivity](#) manufacturer:

Other Similar products are found below :

[PCN-105D3MH,000](#) [59641F200](#) [LY1SAC110120](#) [5X827E](#) [5X837F](#) [5X840F](#) [5X842F](#) [5X848E](#) [LY2N-AC120](#) [LY2S-AC220/240](#) [LY2-US-AC120](#) [LY3-US-AC120](#) [LY4F-UA-DC12](#) [LY4F-UA-DC24](#) [LY4F-US-AC120](#) [LY4F-US-AC240](#) [LY4F-US-DC24](#) [LY4F-VD-AC110](#) [LYQ20DC12](#) [M115C60](#) [M115N010](#) [M115N0150](#) [6031007G](#) [603-12D](#) [61211T0B4](#) [61212T400](#) [61222Q400](#) [61243B600](#) [61243C500](#) [61243Q400](#) [61311BOA2](#) [61311BOA6](#) [61311BOA8](#) [61311C0A2](#) [61311COA1](#) [61311COA6](#) [61311F0A2](#) [61311QOA1](#) [61311QOA4](#) [61311T0D6](#) [61311TOA6](#) [61311TOA7](#) [61311TOB3](#) [61311TOB4](#) [61311U0A6](#) [61312Q600](#) [61312T400](#) [61312T600](#) [61313U200](#) [61313U400](#)