

RA-3100 Series Remote Power Controller, Rated up to 60 Amps, 115/208 VAC

Product Facts

- 3PST NO
- Gasket sealed



Performance Data

Electrical Characteristics

Contact Arrangement — 3PST NO

Rated Operating Voltage — 115/208 VAC, 400-610 Hz, 3 phase

Resistive Rating — 50 Amp

Motor Rating — 30 Amp

Rupture Rating — 1000 Amp

Closing Time, Max., Override at 28 Vdc — 35 msec

Opening Time, Max., Override at 28 Vdc — 25 msec

Contact Bounce, Max. — 3 msec

Coil Characteristics

Duty Cycle — Continuous, economizing

Operating Voltage, Max. — 32 Vdc
Operating Voltage @ 85°C, Min. — 18 Vdc

Trip Time @ 60 Amp Current +10% — 2.0 to 3.0 sec

Trip Time @ 75 Amp Current +10% — 1.0 to 1.9 sec

Trip Time @ 95 Amp Current +10% — .2 to .9 sec

Trip Time @ 200+ Amp Current +10% — 0.01 to 0.1 sec

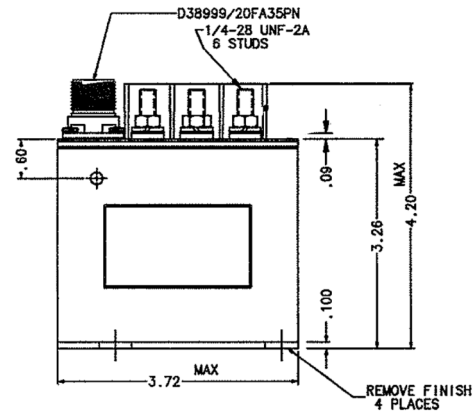
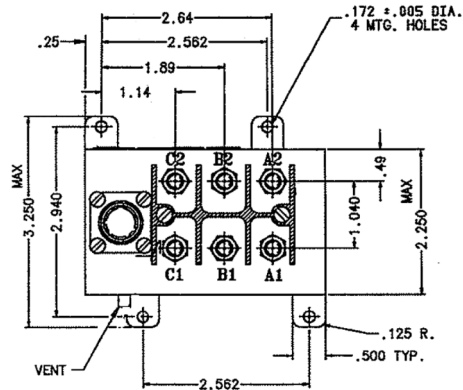
General Characteristics

Temperature Range — -55°C to +85°C

Operating Cycles (Life) — 100,000 cycles

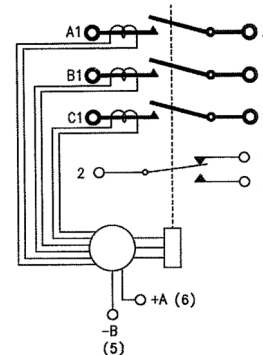
Altitude — 50,000 ft

Weight, Max. — 1.55 lbs



Mounting Style A

Circuit Configurations (Consult factory for other available circuit configurations)



Circuit Configuration 1

For factory-direct application assistance, phone 419-521-9500 or fax 419-526-2749.

HARTMAN Part Number	Construction Type	Mounting Style	Coil Type	Circuit Config.	TE Part Number
RA-3100H	Gasket/Vented	A	Continuous, Economizing	1	1616539-3

RA-3100 Series Remote Power Controller, Rated up to 70 Amps, 115/208 VAC

Product Facts

- 3PST NO
- Gasket sealed



Performance Data

Electrical Characteristics

Contact Arrangement — 3PST NO

Rated Operating Voltage — 115/208 VAC, 400-610 Hz, 3 phase

Resistive Rating — 70 Amp

Motor Rating — 70 Amp

Rupture Rating — 1,000 Amp

Coil Characteristics

Duty Cycle — Continuous, economizing

Operating Voltage, Max. — 32 Vdc

Operating Voltage @ 85°C, Min. — 18 Vdc

Trip Time @ 70 Amp Current

+10% — 3.0 to 5.0 sec

Trip Time @ 87 Amp Current +10%

— 2.0 to 2.9sec

Trip Time @ 111 Amp Current

+10% — 1.0 to 1.8 sec

Trip Time @ 200 Amp Current

+10% — 0.25 to 0.5 sec

General Characteristics

Operating Temperature Range — -55°C to +85°C

Altitude — 50,000 ft max.

Weight, Max. — 1.55 lb

Sinusoidal Vibration —

.038 DA from 10 to 50 Hz

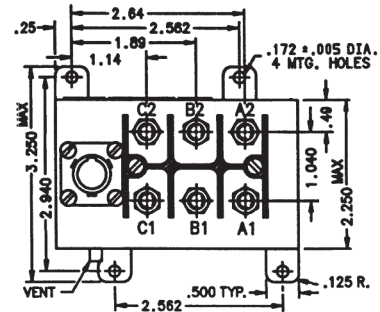
10g from 55 to 2000 Hz

Shock, Max. — 9 G max for 10-12 ms

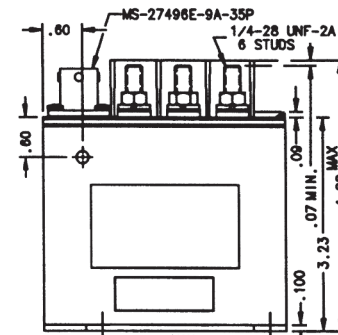
Load, Min. — 50,000 cycles

Operating Cycles (Life)

Mechanical, Min. — 100,000 cycles

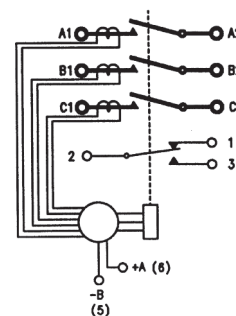


NOTE: FOR PROPER OPERATION, PIN A REQUIRES 18 TO 28 VDC



Mounting Style A

Circuit Configurations (Consult factory for other available circuit configurations)



Circuit Configuration 1

For factory-direct application assistance, phone 419-521-9500 or fax 419-526-2749.

HARTMAN Part Number	Construction Type	Mounting Style	Coil Type	Circuit Config.	TE Part Number
RA-3100F	Gasket/Vented	A	Continuous, Economizing	1	1616133-2

RA-3100 Series Remote Power Controller, Rated up to 100 Amps, 115/208 VAC

Product Facts

- 3PST NO
- Gasket sealed
- Auxiliary contacts available
- Meets many requirements of MIL-PRF-6106



Performance Data

Electrical Characteristics

Contact Arrangement — 3PST NO

Rated Operating Voltage — 115/208 VAC, 400-610 Hz, 3 phase

Resistive Rating — 100 Amp

Motor Rating — 100 Amp

Rupture Rating — 1,000 Amp

Closing Time, Max., at 28 Vdc — 35 msec

Opening Time, Max., at 28 Vdc — 25 msec

Contact Bounce, Max. — 3 msec

Coil Characteristics

Duty Cycle — Continuous, economizing

Operating Voltage, Max. — 32 Vdc

Operating Voltage @ 85°C, Min. — 18 Vdc

Coil Current, Inrush Max. @ 25°C — 6.0 Amps

Coil Current, Hold Max. @ 25°C — 0.5 Amps

Trip Time @ 28 Amp Current

+10% —

RA-3100M - 1.0 to 1.50 sec

Trip Time @ 151 Amp Current

+10% — RA-3100D - 3.0 to 5.0 Sec.

Trip Time @ 185 Amp Current

+10% — RA-3100D - 2 to 2.9 Sec.

Trip Time @ 237 Amp Current

+10% — RA-3100D - 1 to 2.5 Sec.

General Characteristics

Temperature Range —

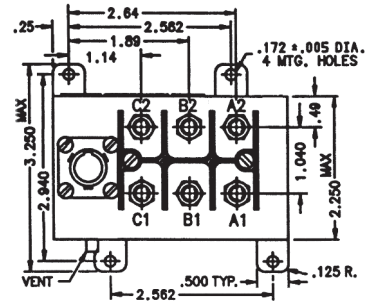
-55°C to +85°C

Operating Cycles (Life) at Rated Load, Min. — 50,000 cycles

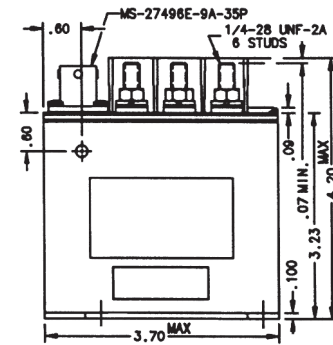
Operating Cycles (Life) Mechanical, Min. — 100,000 cycles

Altitude — 50,000 ft

Weight, Max. — 1.55 lbs

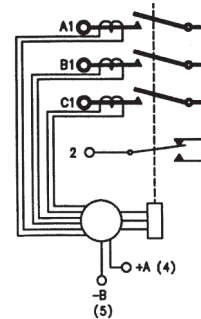


NOTE: FOR PROPER OPERATION, PIN A REQUIRES 18 TO 28 VDC



Mounting Style A

Circuit Configurations (Consult factory for other available circuit configurations)



Circuit Configuration 1

HARTMAN Part Number	Construction Type	Mounting Style	Coil Type	Circuit Config.	TE Part Number
RA-3100D	Gasket/Vented	A	Continuous, Economizing	1	1616133-1
RA-3100M	Gasket/Vented	A	Continuous, Economizing	1	1616133-5

For factory-direct application assistance, phone 419-521-9500 or fax 419-526-2749.

RA-3100 Series Remote Power Controller, Rated up to 110 Amps, 115/208 VAC

Product Facts

- 3PST NO
- Gasket sealed
- Auxiliary contacts available
- Meets many requirements of MIL-PRF-6106



Performance Data

Electrical Characteristics

Contact Arrangement — 3PST NO

Rated Operating Voltage — 115/208 VAC, 400-610 Hz, 3 phase

Resistive Rating —

RA-3100J-1 - 110 Amp

RA-3100L - 50 Amp

Motor Rating —

RA-3100J01 - 110 Amp

RA-3100L - 50 Amp

Rupture Rating —

RA-3100J-1 - 1,100 Amp

RA-3100L - 500 Amp

Shock for 10-12 msec — 50 G

Closing Time, Max., Override at 28 Vdc — 35 msec

Opening Time, Max., Override at 28 Vdc — 25 msec

Contact Bounce, Max. — 3 msec

Coil Characteristics

Duty Cycle — Continuous, economizing

Operating Voltage, Max. — 32 Vdc

Operating Voltage @ 85°C, Min. — 18 Vdc

Coil Current, Inrush Max. @ 25°C — 6.0 Amps

Coil Current, Hold Max. @ 25°C — 0.5 Amps

Trip Time @ 165 Amp Current +10% — 8.0 to 10.0 sec

Trip Time @ 330 Amp Current +10% —

RA-3100J-1 - 1.2 to 2.0 sec

Trip Time @ 550 Amp Current +10% —

RA-3100J-1 - 0.34 to 0.65 sec

Trip Time @ 1100 Amp Current +10% —

RA-3100J-1 - 0.07 to 0.20 sec

Trip Time @ 60 Amp Current +10% —

RA-3100L - 8.0 to 10.0 sec

Trip Time @ 150 Amp Current +10% —

RA-3100L - 4.0 to 6.0 sec

Trip Time @ 300 Amp Current +10% —

RA-3100L - 2.0 to 3.0 sec

Trip Time @ 500 Amp Current +10% —

RA-3100L - 0.07 to 0.20 sec

General Characteristics

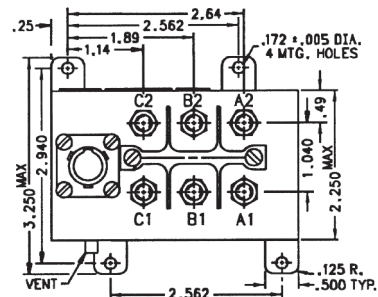
Temperature Range — -55°C to +85°C

Operating Cycles (Life) at Rated Load, Min. — 50,000 cycles

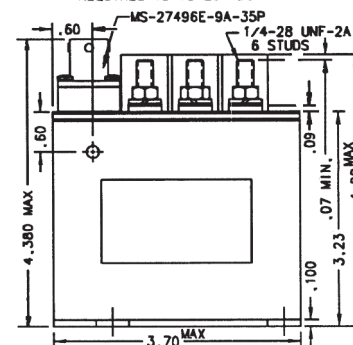
Operating Cycles (Life) Mechanical, Min. — 100,000 cycles

Altitude — 60,000 ft

Weight, Max. — 1.55 lbs

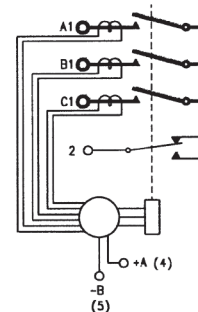


NOTE: FOR PROPER OPERATION, PIN A REQUIRES 18 TO 28 VDC



Mounting Style A

Circuit Configurations (Consult factory for other available circuit configurations)



Circuit Configuration 1

HARTMAN Part Number	Construction Type	Mounting Style	Coil Type	Circuit Config.	TE Part Number
RA-3100J-1	Gasket/Vented	A	Continuous, Economizing	1	1616133-3
RA-3100L	Gasket/Vented	A	Continuous, Economizing	1	1616133-4

For factory-direct application assistance, phone 419-521-9500 or fax 419-526-2749.

X-ON Electronics

Largest Supplier of Electrical and Electronic Components

Click to view similar products for [General Purpose Relays](#) category:

Click to view products by [TE Connectivity](#) manufacturer:

Other Similar products are found below :

[JVN1AF-4.5V-F](#) [PCN-105D3MHZ](#) [5JO-10000S-SIL](#) [5JO-1000CD-SIL](#) [5JO-400CD-SIL](#) [LY2S-AC220/240](#) [LYQ20DC12](#) [6031007G](#)
[6131406HQ](#) [6-1393099-8](#) [6-1393122-4](#) [6-1393123-2](#) [6-1393767-1](#) [6-1393843-7](#) [6-1415012-1](#) [6-1419102-2](#) [6-1423698-4](#) [6-1608051-6](#) [6-1608067-0](#) [6-1616170-6](#) [6-1616248-2](#) [6-1616282-3](#) [6-1616348-2](#) [6-1616349-9](#) [6-1616350-1](#) [6-1616350-8](#) [6-1616358-7](#) [6-1616359-9](#) [6-1616360-9](#) [6-1616931-6](#) [6-1617039-1](#) [6-1617052-1](#) [6-1617090-2](#) [6-1617090-5](#) [6-1617347-5](#) [6-1617353-3](#) [6-1617801-8](#) [6-1618107-9](#) [6-1618248-4](#) [CX-4014](#) [MAHC-5494](#) [MAVCD-5419-6](#) [703XCX-120A](#) [7-1393100-5](#) [7-1393111-7](#) [7-1393767-8](#) [7-1414968-8](#) [7-1419130-3](#) [7-1608047-2](#) [7-1608065-1](#)