



1620

SPECIFICATIONS

- **Disposable Blood Pressure Sensor**
- **AAMI Specifications**
- **Low Cost Disposable**
- **Dielectric Gel Barrier**
- **Fully Tested & Calibrated**

FEATURES

- Low Cost, Medical Applications
- Small Size and Reliable Performance
- Gel Isolation for Liquids
- Operates from 5°C to 40°C
- Compatible for Automated Assembly
- 1% Accuracy for Replacements
- 5.0 $\mu\text{V/V/mmHg}$ Sensitivity
- Customization for OEM Applications

APPLICATIONS

- Surgical Procedures
- Intensive Care Units
- Infusion Pumps
- Kidney Dialysis Machines
- Vacuum Assisted Birth
- Intrauterine Monitoring

The 1620 is a fully piezo resistive silicon pressure sensor for use in invasive blood pressure monitoring. The sensor is designed to be used with automated assembly equipment and can be dropped directly into a customer's disposable blood pressure housing. The sensor is designed to meet the requirements as described in the Association for the Advancement of Medical Instrumentation (AAMI) specification for Blood Pressure Transducers.

The pressure sensor consists of a pressure sensing element mounted on a ceramic substrate. Thick film resistors on the ceramic substrate are laser trimmed for compensation and calibration. A plastic cap is attached to the ceramic substrate to provide an easy method of attachment to the customer's assembly and protection for the sensing element. A dielectric gel is placed over the sensor to provide electrical and fluid isolation.

The products are shipped on a tape and reel. Performance characteristics and packaging can be easily tailored on a special order basis to meet the requirements of specific customers.

STANDARD RANGES

Range	mmHg
-50 to 300	•

PERFORMANCE SPECIFICATIONS

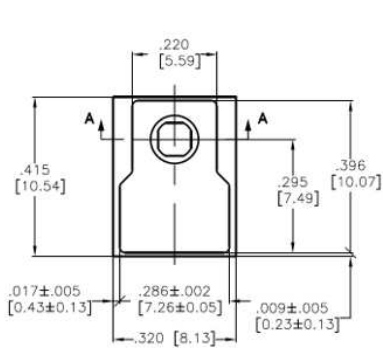
Unless otherwise specified: Supply Voltage: 6.0 V_{DC}, Ambient Temperature: 23°C

PARAMETERS	MIN	TYP	MAX	UNITS	NOTES
Operating Pressure Range	-50		300	mmHg	
Over Pressure	125			psi	
Zero Pressure Offset	-20		20	mmHg	
Sensitivity	4.95	5.00	5.05	μV/V/mmHg	
Calibration	97.5	100	102.5	mmHg	1
Linearity and Hysteresis (-30 to 100 mmHg)	-1		1	mmHg	2
Linearity and Hysteresis (100 to 200 mmHg)	-1		1	% Output	2
Linearity and Hysteresis (200 to 300 mmHg)	-1.5		1.5	% Output	2
Input Impedance					
1620-H	1200		3200	Ω	
1620-J	1200		3200	Ω	
1620-K	325		375	Ω	
Output Impedance	285		315	Ω	
Output Symmetry	0.95		1.05	Ratio	3
Supply Voltage	2	6	10	V _{DC} or V _{AC} rms	
Risk Current (@ 120 V _{AC} rms, 60Hz)			2	μA	
Warm-Up Time		5		Seconds	
Frequency Response		1200		Hz	
Offset Drift			1	mmHg	4
Thermal Span Shift	-0.1		0.1	%/°C	5
Thermal Offset Shift	-0.3		0.3	mmHg/°C	5
Phase Shift (@ 5KHz)			5	Degrees	
Light Sensitivity (3000 Foot Candle)		1		mmHg	
Defibrillator withstand (400 joules)	5			Discharges	6
Sterilization (ETO)	3			Cycles	7
Operating Temperature	5		40	°C	
Storage Temperature	-25		+70	°C	
Humidity (External)	10-90% (non-condensing)				
Operating Product Life	168 Hours				
Shelf Life	5 Years				
Dielectric Breakdown	10000V _{DC}				
Media Interface	Dielectric Gel				
Volume Displacement	4.5 x 10 ⁻⁴ mm ³				
Weight	0.5 grams				

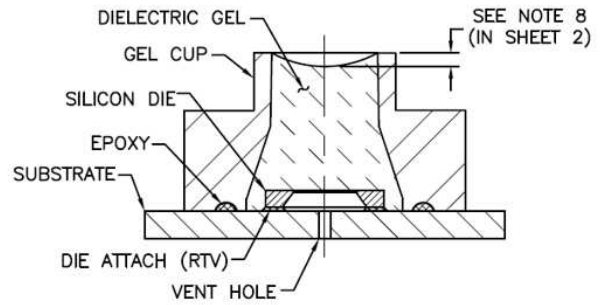
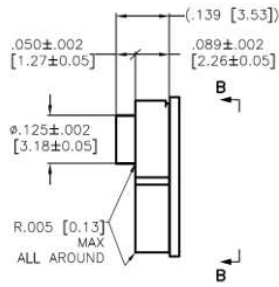
Notes

- Output of sensor with no pressure applied and a 150kΩ resistor placed across +SUPPLY to +OUTPUT.
- Best fit straight line.
- Defined as common mode symmetry between any output and supply terminal.
- Over an 8 hour time period after a 10 second warm-up.
- Over operating temperature range 5°C–40°C with respect to 23°C.
- One discharge per minute performed by customer.
- Sterilization performed by customer, compatible with ETO, GAMMA, or E-Beam sterilization.
- After curing, meniscus of gel shall be flush to .035" [.89mm] below surface
- This model is not suitable for surface mount operation.

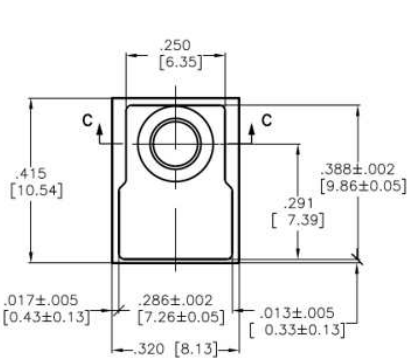
DIMENSIONS



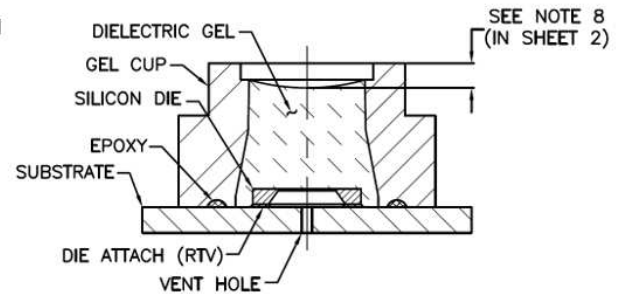
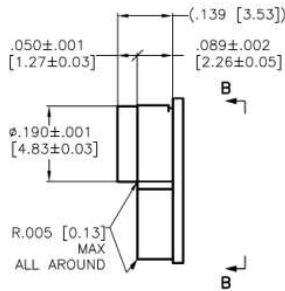
MODEL: 1620-p-N-T



SECTION A-A



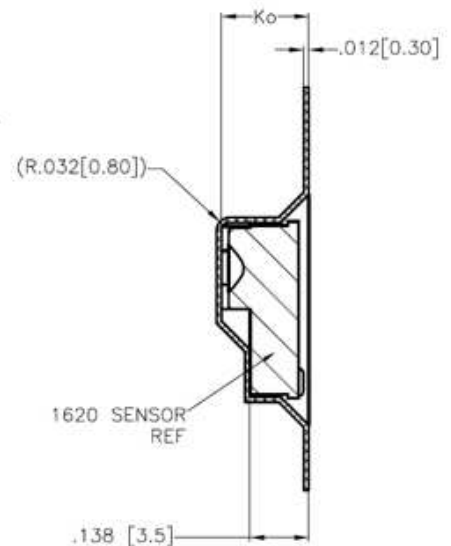
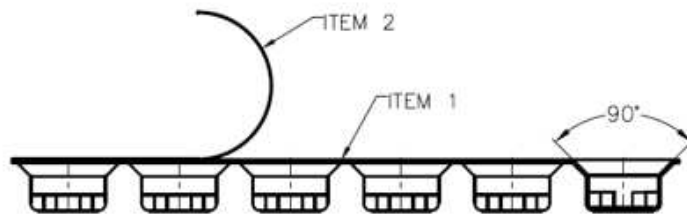
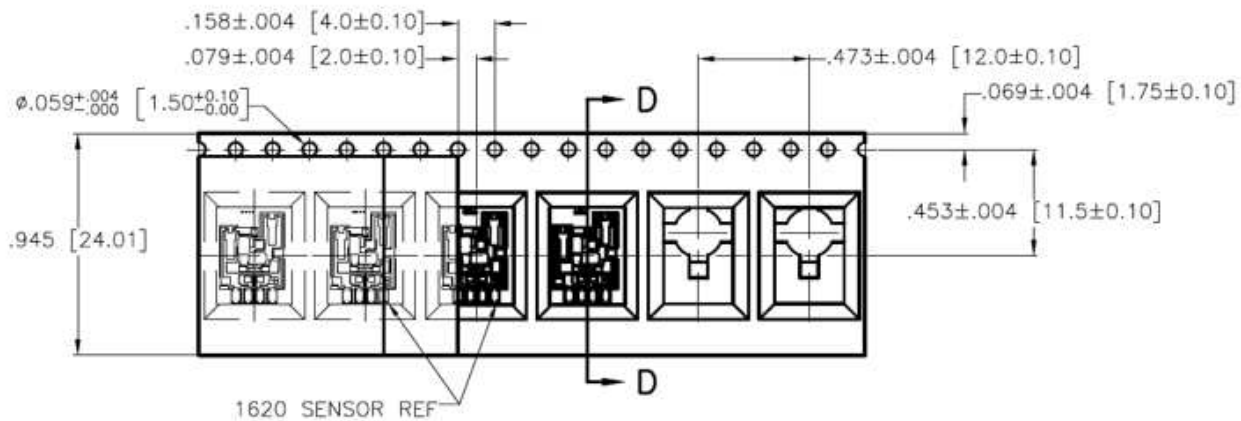
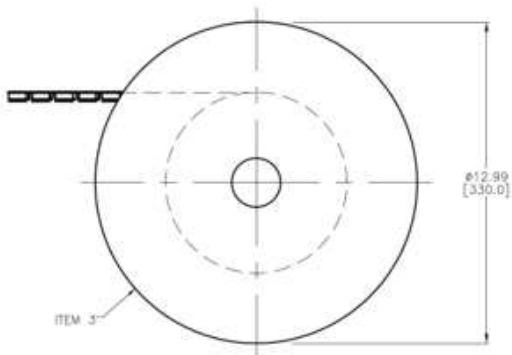
MODEL: 1620-p-W-T



SECTION C-C

*Dimensions indicated do not include flares.

SHIPPING INFORMATION

REEL SPECIFICATIONS
1/8 SCALE

SECTION D-D

TAPE AND REEL INFO

A) MATERIAL:

ITEM 1, CARRIER TAPE: POLYCARBONATE

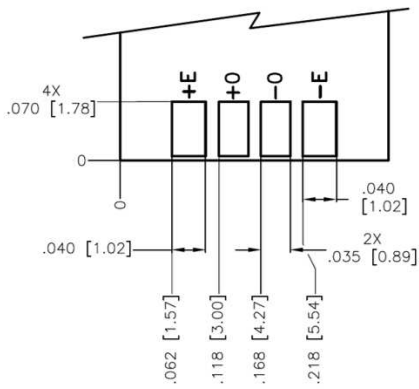
ITEM 2, COVER TAPE: POLYCARBONATE, HEAT PRESSURE SEAL

ITEM 3, PACKAGING TRAY: PLASTIC

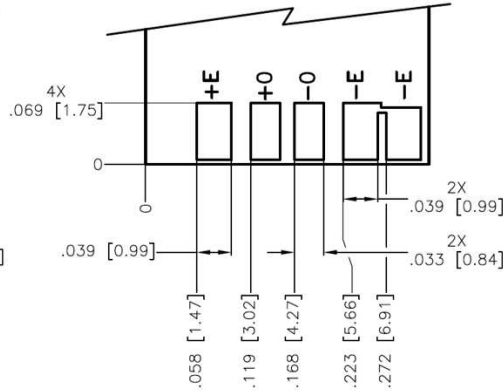
B). TOTAL PEEL STRENGTH SHOULD BE 10 TO 130 GRAMS.

C). REFERENCE DOC: ANSI/EIA-481-C: 8mm THROUGH 200mm EMBOSSED CARRIER TAPING, 8mm AND 12mm PUNCHED CARRIER TAPING OF SURFACE MOUNT COMPONENTS FOR AUTOMATIC HANDLING.

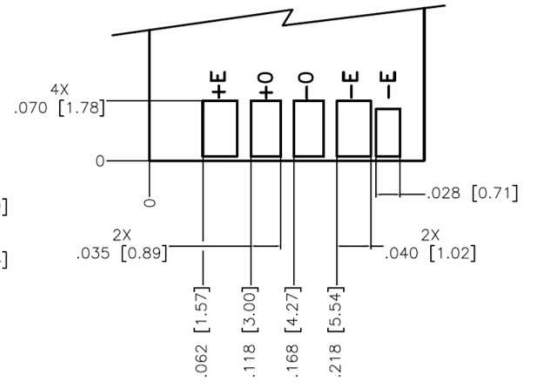
STANDARD PAD CONFIGURATIONS



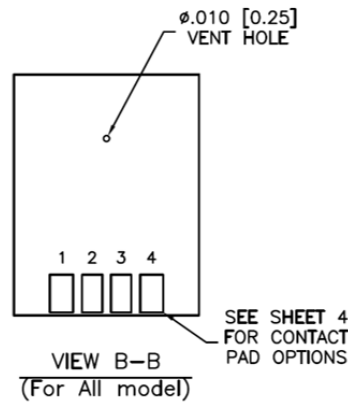
PAD TYPE 'H'



PAD TYPE 'J'

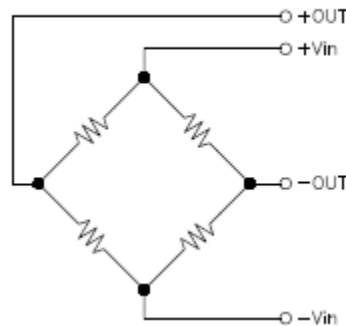


PAD TYPE 'K'

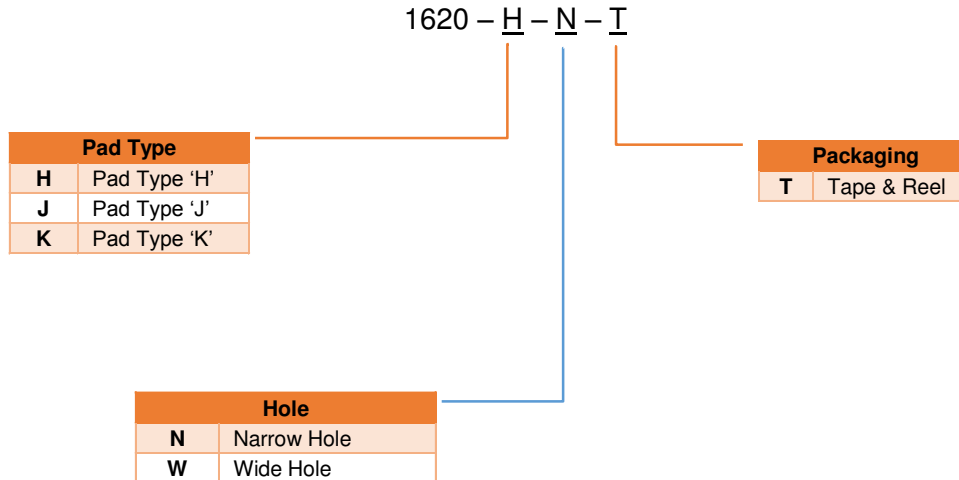


CONNECTIONS

EQUIVALENT CIRCUIT



ORDERING INFORMATION

**NORTH AMERICA**

Measurement Specialties, Inc.,
a TE Connectivity company
Tel: +1 800-522-6752
customercare.fmt@te.com

EUROPE

MEAS Switzerland Sarl,
a TE Connectivity company
Tel: +31 73 624 6999
customercare.bevx@te.com

ASIA

Measurement Specialties (China) Ltd.,
a TE Connectivity company
Tel: +86 0400-820-6015
<mailto:customer-care.shzn@te.com>

TE.com/sensorsolutions

Measurement Specialties, Inc., a TE Connectivity company.

Measurement Specialties, TE Connectivity, TE Connectivity (logo) and EVERY CONNECTION COUNTS are trademarks. All other logos, products and/or company names referred to herein might be trademarks of their respective owners.

The information given herein, including drawings, illustrations and schematics which are intended for illustration purposes only, is believed to be reliable. However, TE Connectivity makes no warranties as to its accuracy or completeness and disclaims any liability in connection with its use. TE Connectivity's obligations shall only be as set forth in TE Connectivity's Standard Terms and Conditions of Sale for this product and in no case will TE Connectivity be liable for any incidental, indirect or consequential damages arising out of the sale, resale, use or misuse of the product. Users of TE Connectivity products should make their own evaluation to determine the suitability of each such product for the specific application.

© 2015 TE Connectivity Ltd. family of companies All Rights Reserved.

X-ON Electronics

Largest Supplier of Electrical and Electronic Components

Click to view similar products for [Board Mount Pressure Sensors](#) category:

Click to view products by [TE Connectivity](#) manufacturer:

Other Similar products are found below :

[6407-249V-17343P](#) [6407-250V-09273P](#) [6407-250V-09343P](#) [80527-25.0H2-05](#) [80541-B00000150-01](#) [80541-B00000200-05](#) [80554-00700100-05](#) [80568-00300050-01](#) [93.631.4253.0](#) [93.731.4353.0](#) [93.932.4553.0](#) [136PC15A1](#) [142PC95AW71](#) [142PC05DW70](#) [15PSI-G-4V1805-01A-L0N-B](#) [26PCBKT](#) [26PCCFA6D26](#) [26PCCFS2G](#) [26PCCVA6D](#) [93.632.7353.0](#) [93.731.3653.0](#) [93.931.4853.0](#) [93.932.4853.0](#) [SDP510-500PA](#) [185PC30DH](#) [20INCH-G-MV-MINI](#) [26PCAFJ3G](#) [26PCCEP5G24](#) [26PCCFJ3G](#) [26PCDFA3G](#) [26PCJEU5G19](#) [30INCH-D1-MV-MINI](#) [ASCX15AN-90](#) [4426-015G](#) [4525-DS5A030DP](#) [DCAL401DN](#) [DCAL401GN](#) [4515-DS5A020DP](#) [XZ202798SSC](#) [XZ203676HSC](#) [6407-249V-09273P](#) [6407-249V-09343P](#) [6407-249V-17273P](#) [6407-250V-17273P](#) [6407-250V-17343P](#) [81717-00000050-05](#) [81794-B00001200-01](#) [82681-B00000100-01](#) [81618-B00000040-05](#)