

THIS DRAWING IS UNPUBLISHED.

RELEASED FOR PUBLICATION

2008

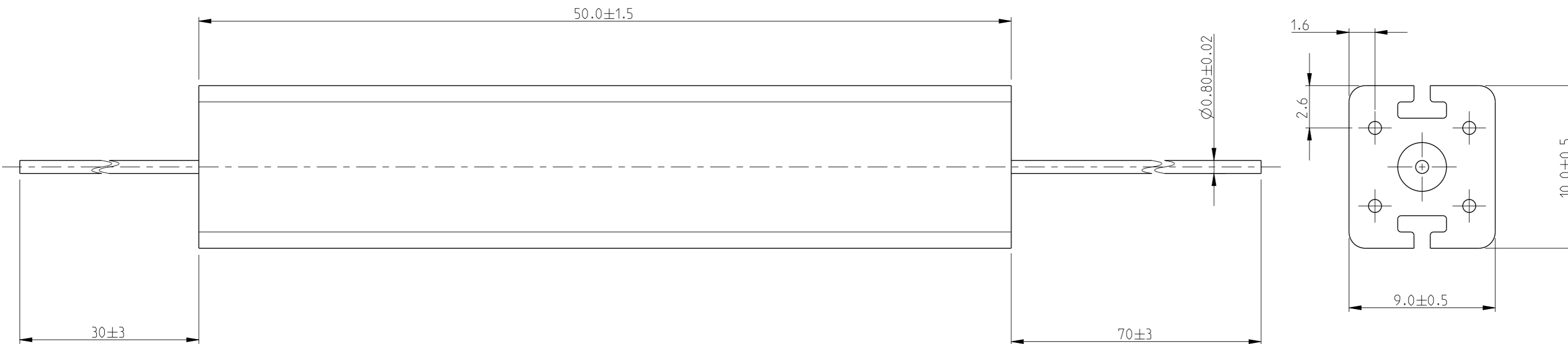
© COPYRIGHT 2008 BY -

ALL RIGHTS RESERVED.

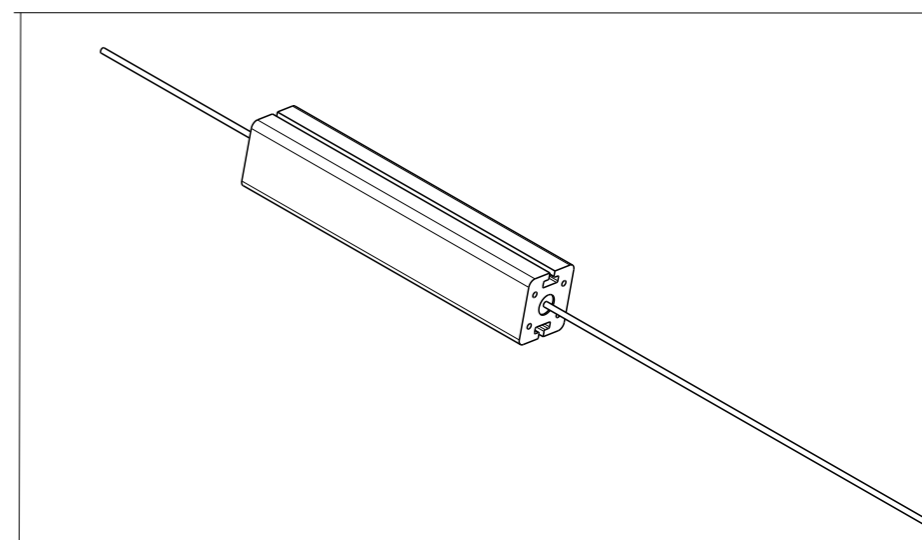
REVISIONS

P	LTR	DESCRIPTION	DATE	DWN	APVD
	BA1	ECR-17-011125	01AUG2017	RK	TN

FOR FURTHER INFORMATION SEE DATA SHEET FOR SERIES TYPE SBC(SQUARE CERAMIC), HIGH POWER RESISTORS



RoHS Compliant



THIS DRAWING IS A CONTROLLED DOCUMENT.

DIMENSIONS:	
mm	

TOLERANCES UNLESS OTHERWISE SPECIFIED:	
0 PLC	± 0.2
1 PLC	± 0.1
2 PLC	\pm
3 PLC	\pm
4 PLC	\pm
ANGLES	$\pm 5^\circ$
FINISH	-

DWN	28 JULY 2010
CHK	28 JULY 2010
APVD	28 JULY 2010
PRODUCT SPEC	-
APPLICATION SPEC	-
WEIGHT	10g
CUSTOMER DRAWING	

TE Connectivity		NAME		RESTRICTED TO
		HIGH POWER RESISTOR TYPE SBC (SQUARE CERAMIC) SERIES SBCHE11		
SIZE	CAGE CODE	DRAWING NO		
A3	00779	C-1623728		
SCALE	SHEET	OF	REV	
4:1	1	1	BA1	

X-ON Electronics

Largest Supplier of Electrical and Electronic Components

Click to view similar products for [Wirewound Resistors - Through Hole](#) category:

Click to view products by [TE Connectivity](#) manufacturer:

Other Similar products are found below :

[75822-2K4](#) [90J56R](#) [PW10-39R-5%](#) [ALSR1-20](#) [EP3WS47RJ](#) [RWR81S1000BRB12](#) [RWR81S12R4FRB12](#) [RWR81SR511FRB12](#)
[RWR81SR619FRBSL](#) [RWR89S10R0FRB12](#) [RWR89S9310FPB12](#) [27J1K0](#) [93J62RE](#) [AC10000002208JAB00](#) [1HJ-25](#) [FSQ5WR47J](#)
[FW10A33R0JA](#) [25J39K](#) [25J5R0-B](#) [25W1D0](#) [272-303-JBW](#) [280-PRM5-150-RC](#) [CP0005270R0JE1491](#) [CPCC0510R00JE32](#)
[CPCC051R000JB31](#) [CPW052K500JE143](#) [CPW05700R0JE143](#) [C1010RJL](#) [CA000210R00JE14](#) [VPR5F1500](#) [RS02B887R0FE73](#)
[RWR74SR604FRB12](#) [RWR84S1001FRB12](#) [RWR84S20R0FSBSL](#) [RWR89S6190FSB12](#) [CPW055R000JB143](#) [ULW5-39R0JT075](#) [W31-](#)
[R047JA1](#) [VP25K-120](#) [VC3D900](#) [ULW5-68RJT075](#) [65888-3R3](#) [CB5JB10R0](#) [CPW151K500JE313](#) [RWR80N3400FSB12](#)
[RWR81S1000FRB12](#) [RWR81S1000FSB12](#) [RWR89S6R81FRB12](#) [RWR89N30R1FRB12](#) [RWR81S4R99FPB12](#)