

4

3

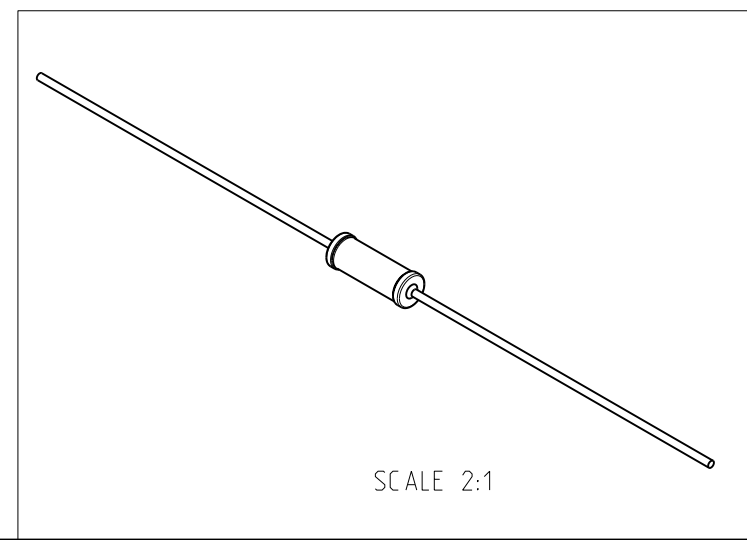
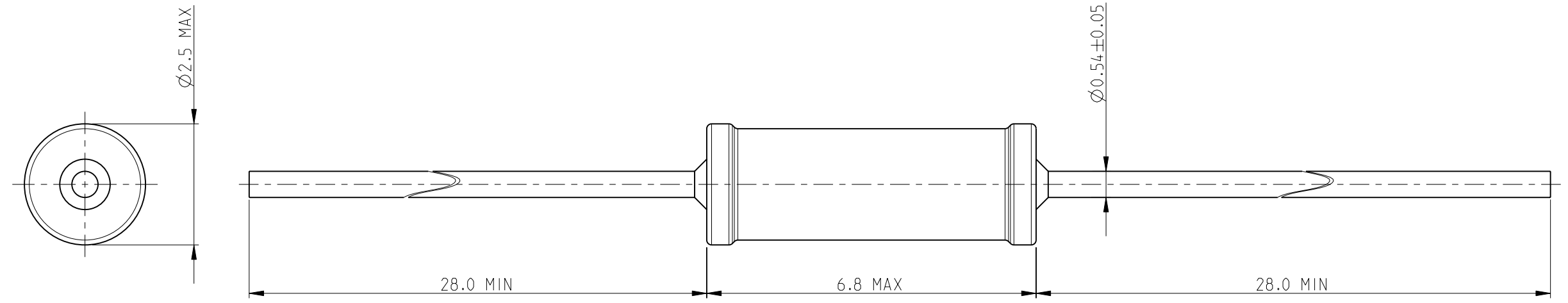
2

1

THIS DRAWING IS UNPUBLISHED. RELEASED FOR PUBLICATION 2010
 © COPYRIGHT 2010 BY TYCO ELECTRONICS CORPORATION. ALL RIGHTS RESERVED.

LOC	DIST	REVISIONS			
P	LTR	DESCRIPTION	DATE	DWN	APVD
E	B	BA	NEW RELEASE	19-FEB-10	MRS St.P

FOR FURTHER INFORMATION SEE DATA SHEET FOR
 SERIES ZR, ZEROHM LINKS



RoHS Compliant

<small>THIS DRAWING IS A CONTROLLED DOCUMENT FOR TYCO ELECTRONICS CORPORATION IT IS SUBJECT TO CHANGE AND THE CONTROLLING ENGINEERING ORGANIZATION SHOULD BE CONTACTED FOR THE LATEST REVISION.</small>		DWN MAHARUDRA 19-FEB-10 CHK ALLAN.P 19-FEB-10 APVD STEPHEN.P 19-FEB-10	Tyco Electronics Corporation Dorcan, Swindon, SN3 5HH	
DIMENSIONS: mm	TOLERANCES UNLESS OTHERWISE SPECIFIED: 0 PLC ± 0.2 1 PLC ± 0.1 2 PLC ± - 3 PLC ± - 4 PLC ± - ANGLES ± 5°	PRODUCT SPEC - APPLICATION SPEC - WEIGHT -	NAME ZEROHM LINKS SERIES ZR0207	
MATERIAL -	FINISH -	CUSTOMER DRAWING	SIZE A3 CAGE CODE 00779 DRAWING NO. C-1623934	RESTRICTED TO - SCALE 10:1 SHEET 1 OF 1 REV BA

X-ON Electronics

Largest Supplier of Electrical and Electronic Components

Click to view similar products for [Ceramic Composition Resistors](#) category:

Click to view products by [TE Connectivity](#) manufacturer:

Other Similar products are found below :

[47250](#) [CCR21K0KT](#) [RC1R0EA1K00KE](#) [109AS502KDS](#) [250AS280JDS](#) [109AS333KDS](#) [890SP501K](#) [890AS682LDS](#) [1044AS301KDS](#) [1-1623720-7](#) [HPC1C394K](#) [DFN51120](#) [PCF2CT631R121K](#) [PCF2C561K](#) [PCF1CT631R221K](#) [PCF1C221K](#) [PCF1/2C683K](#) [PCF1/2C471K](#) [PCF1/2C151K](#) [PCF1/2C100K](#) [HPC1C681K](#) [HPC1/2C332K](#) [HPC1/2C471K](#) [HPC1/2CT52A102K](#) [HPC1C102K](#) [HPC1C103K](#) [HPC1C121K](#) [HPC1C123K](#) [HPC1C153K](#) [HPC1C183K](#) [HPC1C220K](#) [HPC1C221K](#) [HPC1C223K](#) [HPC1C224K](#) [HPC1C272K](#) [HPC1C331K](#) [HPC1C332K](#) [HPC1C390K](#) [HPC1C470K](#) [HPC1C471K](#) [HPC1C561K](#) [HPC1C680K](#) [HPC1C820K](#) [HPC2C100K](#) [HPC2C103K](#) [HPC2C121K](#) [HPC2C151K](#) [HPC2C182K](#) [HPC2C123K](#) [HPC1C562K](#)