

4

3

2

1

THIS DRAWING IS UNPUBLISHED. RELEASED FOR PUBLICATION SEP. 2005

© COPYRIGHT 2005 BY TYCO ELECTRONICS CORPORATION. ALL RIGHTS RESERVED.

LOC	DIST	REVISIONS			
P	LTR	DESCRIPTION	DATE	DWN	APVD
E	B	A1	Released as per ECR-08-022292	4-Sep-08	SP JC

- 1 FOR FURTHER INFORMATION SEE DATA SHEET FOR HS SERIES-ALUMINIUM HOUSED RESISTORS
- 2 FOR A SPECIFIC PN FOR A RESISTANCE VALUE AND TOLERANCE, PLEASE REFER TO DMF
- 3 TECHNICAL SPECIFICATION

DISSIPATION AT 25°C : 150 WATTS MOUNTED ON STD HEATSINK

OHMIC RANGE : R10 TO 100K

STABILITY : ΔR < =2% PER 1000hrs

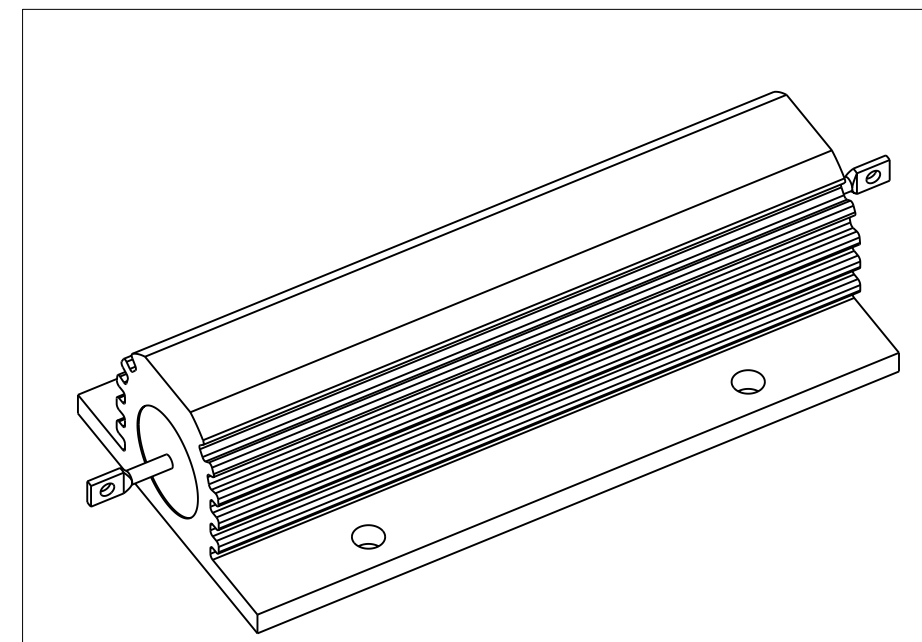
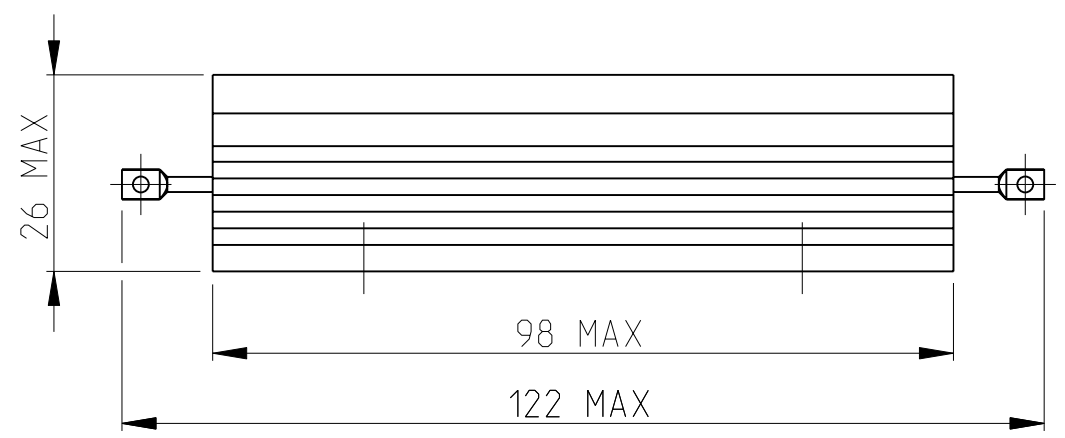
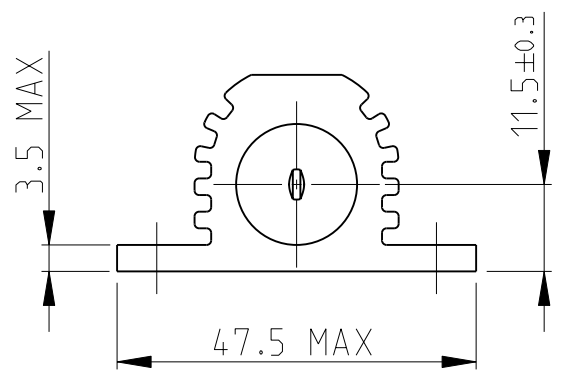
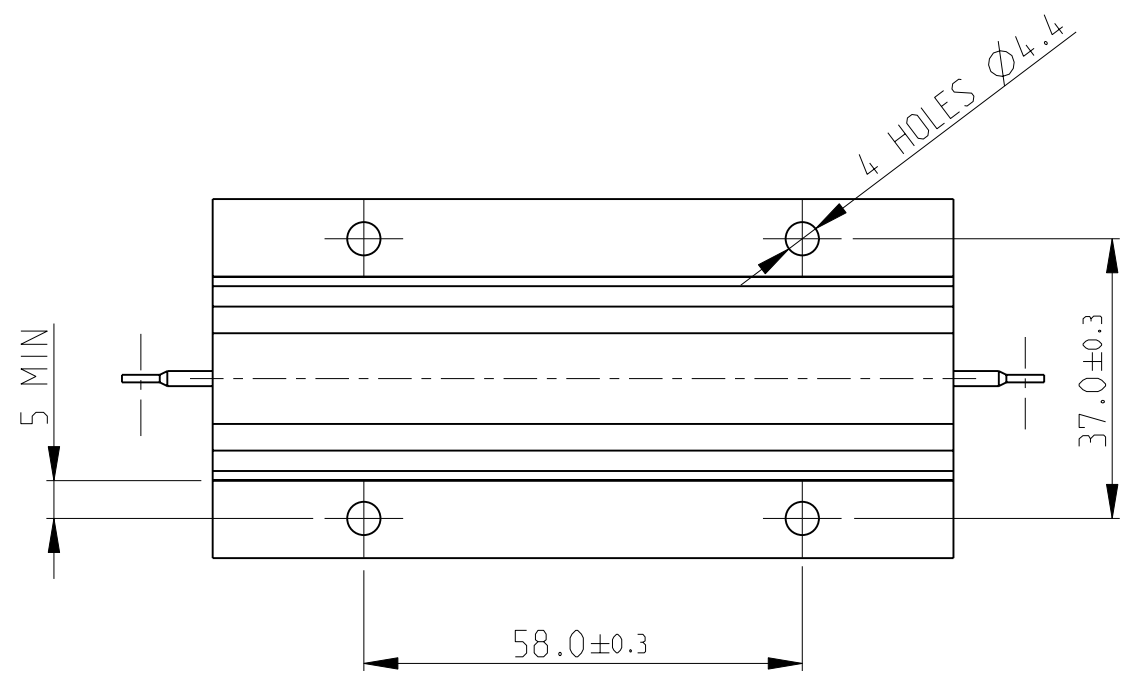
ISOLATION VOLTAGE : 3500V DC/AC pk

MAX WORKING VOLTAGE : 2500V DC/AC rms

TEMPERATURE COEFFICIENT : > 1R0 50ppm
> 100R 25ppm

CLIMATIC CATEGORY : 55/200/56

RoHS Compliant



THIS DRAWING IS A CONTROLLED DOCUMENT FOR TYCO ELECTRONICS CORPORATION
IT IS SUBJECT TO CHANGE AND THE CONTROLLING ENGINEERING ORGANIZATION
SHOULD BE CONTACTED FOR THE LATEST REVISION.

DIMENSIONS: mm		TOLERANCES UNLESS OTHERWISE SPECIFIED:	
		0 PLC	±0.5
		1 PLC	±0.2
		2 PLC	±0.1
		3 PLC	±
		4 PLC	±
MATERIAL -		ANGLES	±5°
FINISH -			

DWN	DAVE KENNEDY	28.SEP.05
CHK	J CATCHPOLE	28.SEP.05
APVD	J CATCHPOLE	28.SEP.05
PRODUCT SPEC	-	
APPLICATION SPEC	-	
WEIGHT	-	
CUSTOMER DRAWING		

Tyco Electronics Corporation Dorcan, Swindon, SN3 5HH		NAME	
		NHSC 150	
SIZE	CAGE CODE	DRAWING NO	RESTRICTED TO
A3	00779	©-1630013	-
SCALE 1:1		SHEET 1 OF 1	REV A1

X-ON Electronics

Largest Supplier of Electrical and Electronic Components

Click to view similar products for [Wirewound Resistors - Chassis Mount](#) category:

Click to view products by [TE Connectivity](#) manufacturer:

Other Similar products are found below :

[HD300HLR71J](#) [VK100NA-50](#) [40/70MJ2K00BE](#) [L75J1K0E](#) [VK100NA250](#) [L100J150E-MT1](#) [L50J500E-MT1](#) [SL130J100K-12](#) [F30J20R](#)
[HSC1008R0F](#) [HSX25R22J](#) [L100J40K](#) [CL65J10R](#) [HSW600 47R J](#) [HSW600 1R J](#) [L12NJ20R](#) [75342-400](#) [HSW600 22R J](#) [VRH320 1K K](#)
[VRH320 100R K](#) [968.15 110M C E](#) [HSW600 4R7 J](#) [40/70MJ230R0HE](#) [L25J500E-MT1](#) [1-2176247-6](#) [1-2176248-5](#) [2-2176248-0](#) [1-2176249-](#)
[3](#) [C1500K12R](#) [AG5NFR68E](#) [AG12NFR68E](#) [AG12NFR47E](#) [AG12NFR56E](#) [AG12NFR33E](#) [CL25J39R](#) [AG12NFR22E](#) [850J220E](#)
[AG12NFR10E](#) [CL225J30K](#) [810F7R7E](#) [LN100J75RE](#) [D50K100-B](#) [L225J6K0E](#) [21025K538-5R0KE](#) [LN80J30R](#) [C300KR75E](#) [D50K25R-B](#)
[LN80J14R](#) [L50JR60E](#) [L100J400E](#)