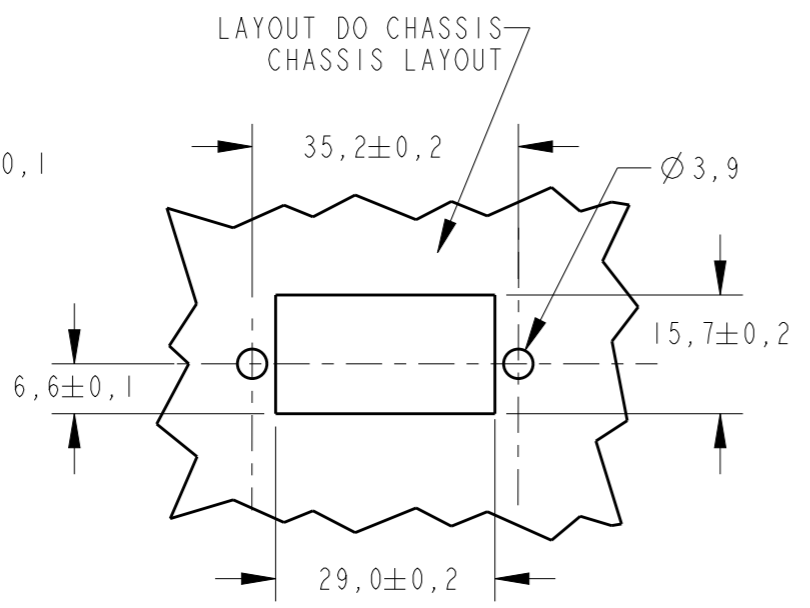
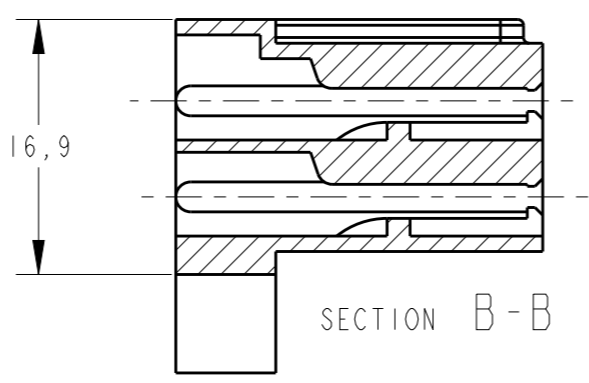
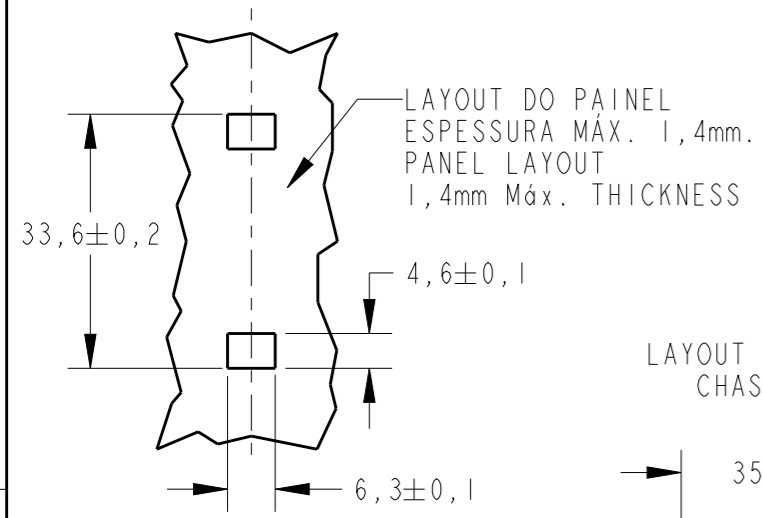
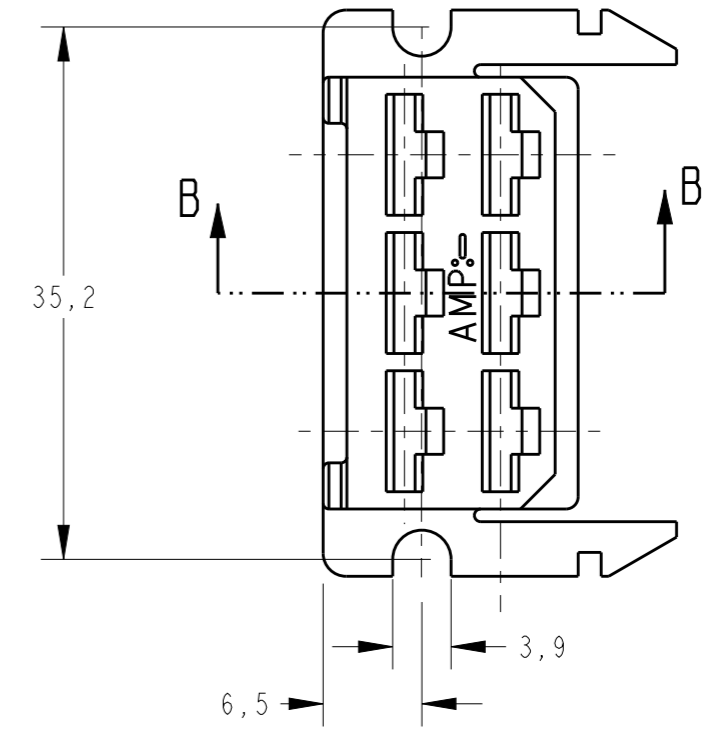
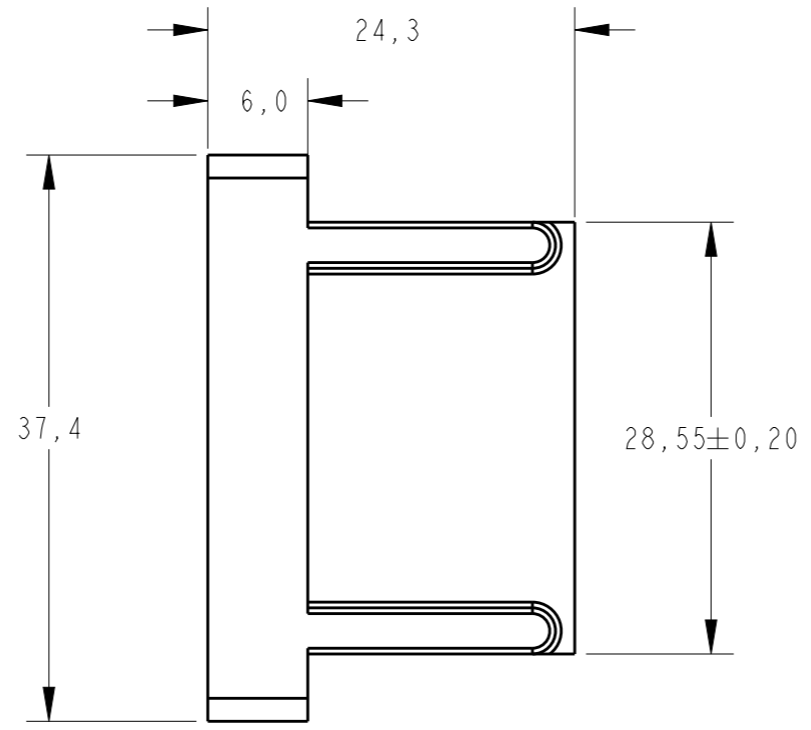
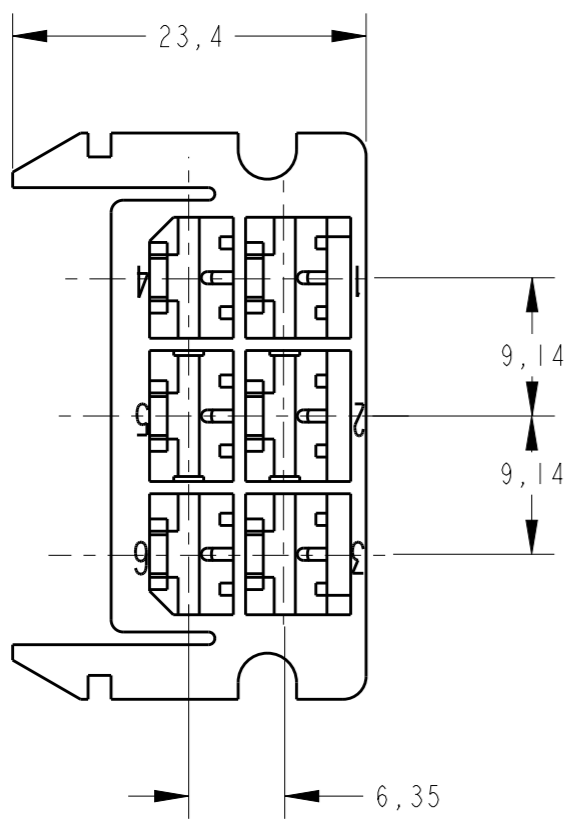


THIS DRAWING IS UNPUBLISHED. RELEASED FOR PUBLICATION 20
 © COPYRIGHT 20 BY - ALL RIGHTS RESERVED.

LOC	DIST	REVISIONS				
P	LTR	DESCRIPTION	DATE	DWN	APVD	
AP	-	F	REDRAW BY ECO-06-026171	31 JAN07	H.C	WLS
		F1	REVISED BY ECO 16-005803	28 JUN2016	HC	WLS
		G	REVISED BY ECO 16-011418	16 NOV2016	HC	WLS
		G1	REV. BY ECO 17-013917	20 SEP2017	HC	HC



△ -MATERIA-PRIMA CONFORME IEC 60335-1 GWT 750°C SEM CHAMA.
 RAW MATERIAL ACC. TO IEC 60335-1 GWT 750°C WITHOUT FLAME.

OBSOLETE	NATURAL	PA 6.6	1 163006 0
OBSOLETE	LARANJA/ORANGE	PA 6.6	163006 9
OBSOLETE	VIOLETA/VIOLET	PA 6.6	163006 8
OBSOLETE	CINZA/GREY	PA 6.6	163006 7
OBSOLETE	MARROM/BROWN	PA 6.6	163006 6
OBSOLETE	PRETO/BLACK	PA 6.6	163006 5
OBSOLETE	AMARELO/YELLOW	PA 6.6	163006 4
OBSOLETE	AZUL/BLUE	PA 6.6	163006 3
OBSOLETE	VERDE/GREEN	PA 6.6	163006 2
	VERMELHO/RED	PA 6.6	163006-1
	NATURAL	PA 6.6	163006-0
	FINISH	MATERIAL	PART NUMBER

THIS DRAWING IS A CONTROLLED DOCUMENT.

DIMENSIONS:	TOLERANCES UNLESS OTHERWISE SPECIFIED:
mm	0 PLC ±-
	1 PLC ±0,3
	2 PLC ±0,3
	3 PLC ±-
	4 PLC ±-
	ANGLES ±-
MATERIAL -	FINISH -

DWN	H.C. CANTERI	16OCT2006
CHK	W.L. STEFANI	16OCT2006
APVD	-	-
PRODUCT SPEC	-	-
APPLICATION SPEC	-	-
WEIGHT	-	-
CUSTOMER DRAWING		

STE TE Connectivity

NAME: 6 WAY FASTIN-ON REC. HSG.

SIZE	CAGE CODE	DRAWING NO	RESTRICTED TO
A3	00779	©=163006	-

SCALE: 1/1 SHEET: 1 OF 1 REV: G1

X-ON Electronics

Largest Supplier of Electrical and Electronic Components

Click to view similar products for [Terminals](#) category:

Click to view products by [TE Connectivity](#) manufacturer:

Other Similar products are found below :

[00-054007-01074-6](#) [00-054007-70206-1](#) [00-054007-70210-8](#) [00-054007-70217-7](#) [00-054007-70226-9](#) [00-054007-70228-3](#) [00-054007-70248-1](#) [00-054007-70256-6](#) [00-054007-70301-3](#) [00-054007-70316-7](#) [00-054007-49560-4](#) [00-054007-70209-2](#) [00-054007-70225-2](#) [00-054007-70227-6](#) [00-054007-70231-3](#) [00-054007-70241-2](#) [00-054007-70242-9](#) [00-054007-70244-3](#) [00-054007-70246-7](#) [00-054007-70263-4](#) [00-054007-70288-7](#) [00-054007-70290-0](#) [00-054007-70300-6](#) [00-054007-70304-4](#) [01-2065-1-0216](#) [01-2900-1-04412](#) [00581P0075](#) [600TS-10](#) [60205-1](#) [604200-1](#) [605601-1](#) [60598-1-CUT-TAPE](#) [61314-6-C](#) [61810-3](#) [61-S](#) [61-SN](#) [626-0194](#) [62-NBM-A](#) [62-SN](#) [62-SP](#) [63-S](#) [640179-1](#) [M55155/059I03](#) [M55155/079C01](#) [M55155/099H02](#) [M55155/109H01](#) [M55155/109H02](#) [M55155/12XH05](#) [M55155/16XH02](#) [M55155/29-5S](#)