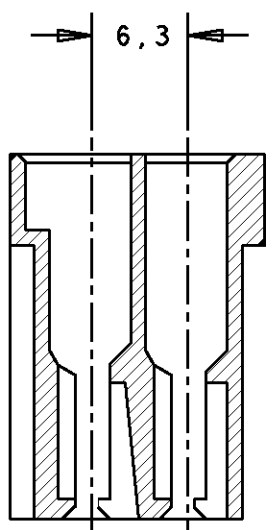
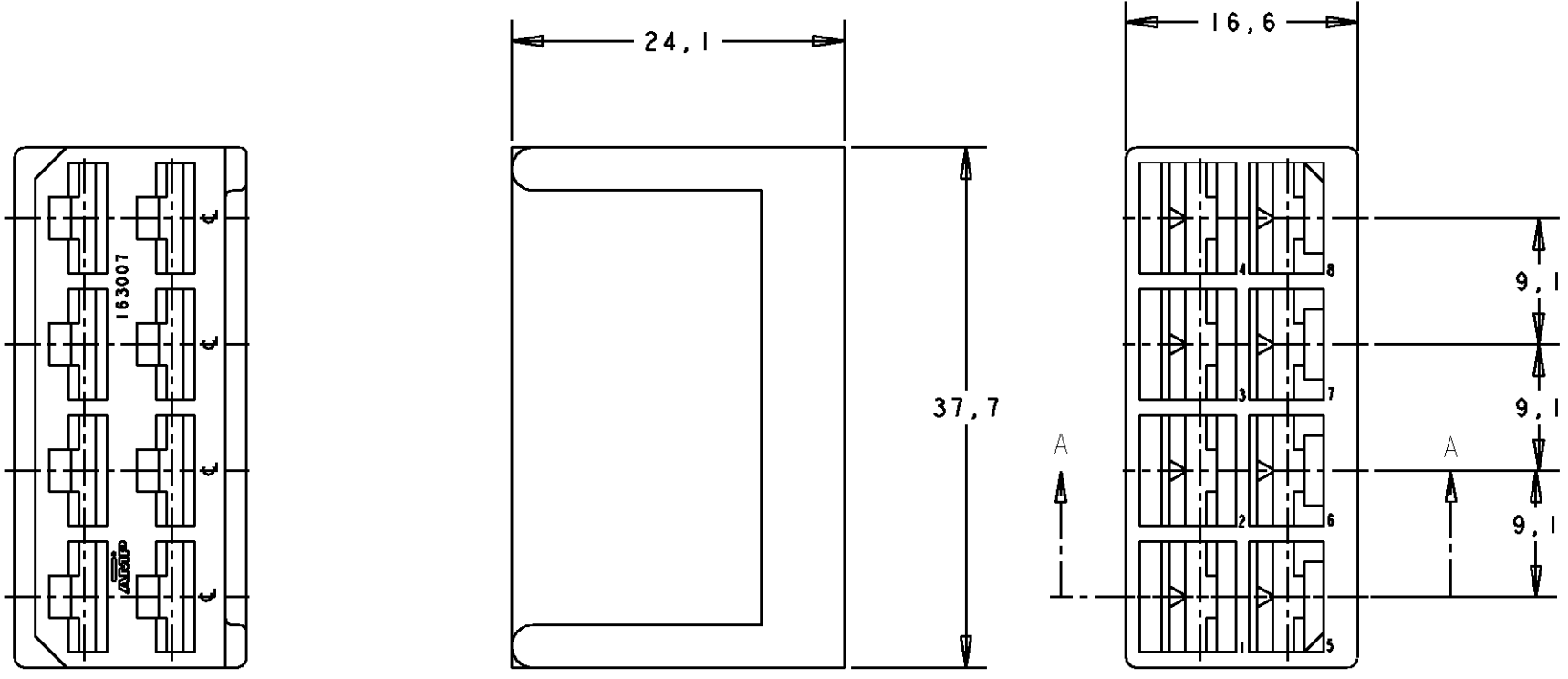


THIS DRAWING IS UNPUBLISHED. RELEASED FOR PUBLICATION
 © COPYRIGHT - BY ALL RIGHTS RESERVED.

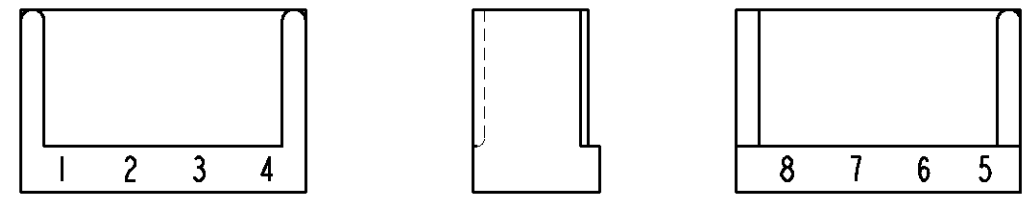
LOC	DIST	REVISIONS			
P	LTR	DESCRIPTION	DATE	DWN	APVD
H	-				
	D1	REVISED PER ECO-11-005294	28APR11	RK	HMR

DIMENSIONS IN mm



SECTION A-A

THESE VIEWS SHOW THE EXTRA NUMBERING FOR: 1-163007-0



ORDER NO.	COLOUR	MATERIAL
1-163007-0	CLEAR	NYLON ZYTEL 101
163007-9	ORANGE	NYLON ZYTEL 101
163007-8	VIOLET	NYLON ZYTEL 101
163007-7	GREY	NYLON ZYTEL 101
163007-6	BROWN	NYLON ZYTEL 101
163007-5	BLACK	NYLON ZYTEL 101
163007-4	YELLOW	NYLON ZYTEL 101
163007-3	BLUE	NYLON ZYTEL 101
163007-2	GREEN	NYLON ZYTEL 101
163007-1	RED	NYLON ZYTEL 101
163007-0	CLEAR	NYLON ZYTEL 101

DIMENSIONS: - mm 	TOLERANCES UNLESS OTHERWISE SPECIFIED: 0 PLC ± - 1 PLC ± - 2 PLC ± - 3 PLC ± - 4 PLC ± - ANGLES ± - MATERIAL - FINISH -	DWN RvHEUVEN 14AUG07 CHK MvDRIEL 14AUG07 APVD MvDRIEL 14AUG07 PRODUCT SPEC - APPLICATION SPEC - WEIGHT -			
		CUSTOMER DRAWING	NAME 8 WAY FAST-IN-ON RECEPT. HOUSING SIZE A3 CAGE CODE 00779 DRAWING NO C-163007 RESTRICTED TO - SCALE NTS SHEET 1 OF 1 REV D1		

X-ON Electronics

Largest Supplier of Electrical and Electronic Components

Click to view similar products for [Terminals](#) category:

Click to view products by [TE Connectivity](#) manufacturer:

Other Similar products are found below :

[00-054007-01074-6](#) [00-054007-70206-1](#) [00-054007-70210-8](#) [00-054007-70217-7](#) [00-054007-70226-9](#) [00-054007-70228-3](#) [00-054007-70248-1](#) [00-054007-70256-6](#) [00-054007-70301-3](#) [00-054007-70316-7](#) [0-0320562-0](#) [00-054007-49560-4](#) [00-054007-70209-2](#) [00-054007-70225-2](#) [00-054007-70227-6](#) [00-054007-70231-3](#) [00-054007-70241-2](#) [00-054007-70242-9](#) [00-054007-70244-3](#) [00-054007-70246-7](#) [00-054007-70263-4](#) [00-054007-70288-7](#) [00-054007-70290-0](#) [00-054007-70300-6](#) [00-054007-70304-4](#) [01-2065-1-0216](#) [01-2900-1-04412](#) [00581P0075](#) [600TS-10](#) [60205-1](#) [604200-1](#) [605601-1](#) [60598-1-CUT-TAPE](#) [61314-6-C](#) [61810-3](#) [61-S](#) [61-SN](#) [626-0194](#) [62-NBM-A](#) [62-SN](#) [62-SP](#) [63-S](#) [640179-1](#) [M55155/059I03](#) [M55155/079C01](#) [M55155/099H02](#) [M55155/109H01](#) [M55155/109H02](#) [M55155/12XH05](#) [M55155/16XH02](#)