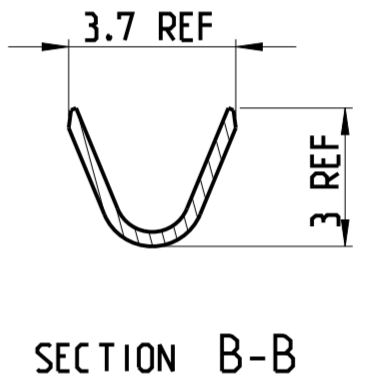
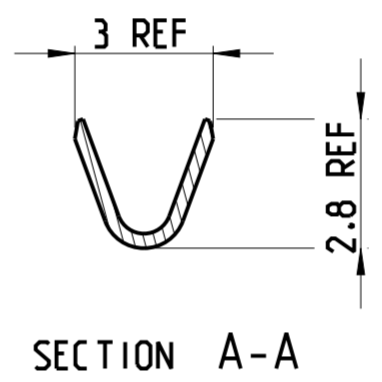
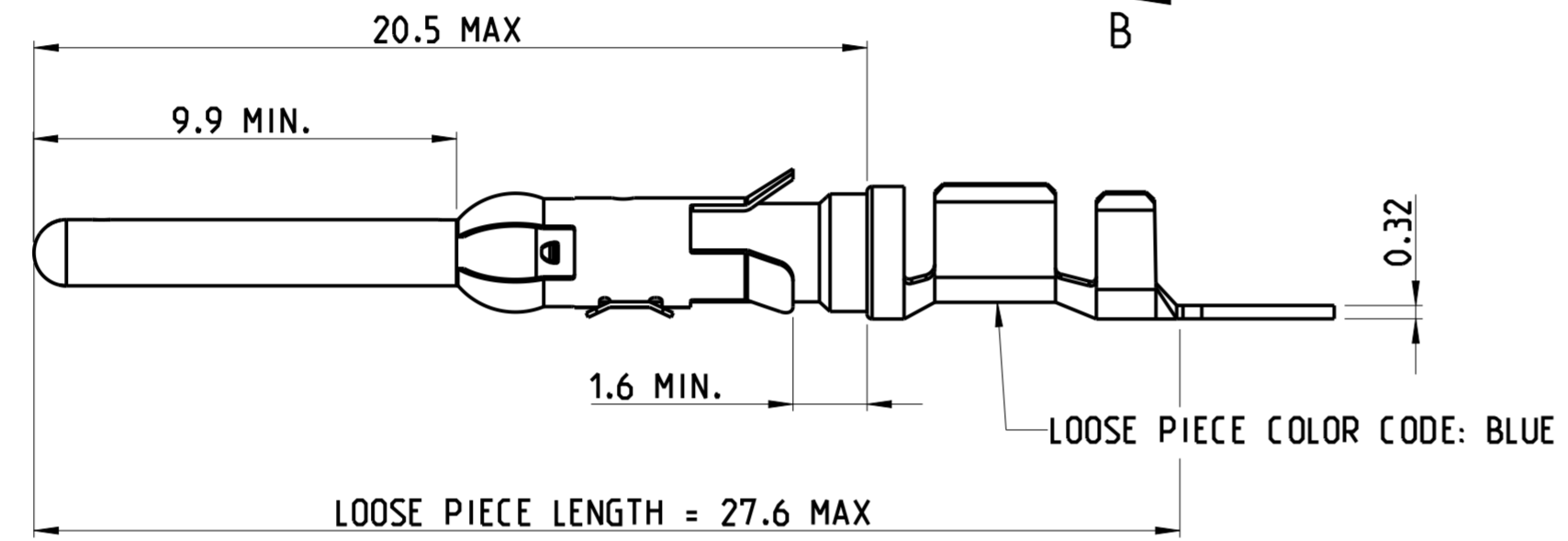
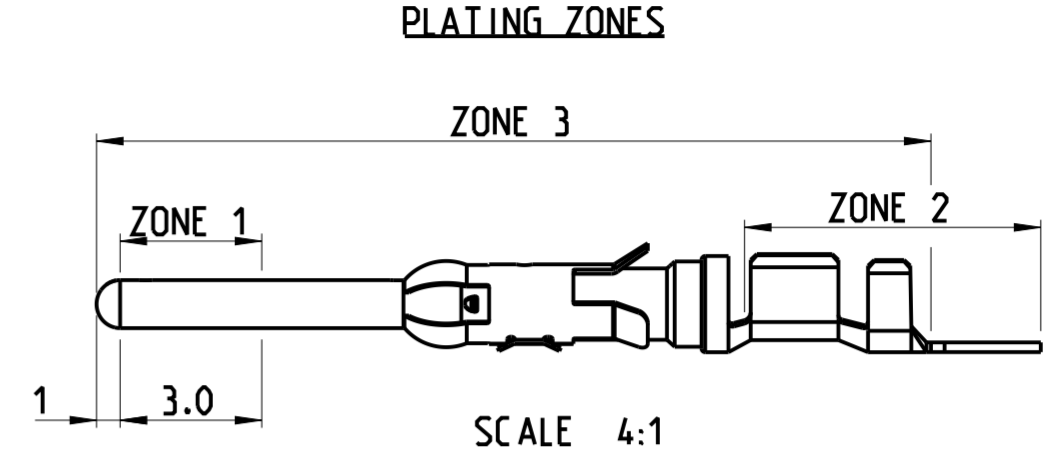
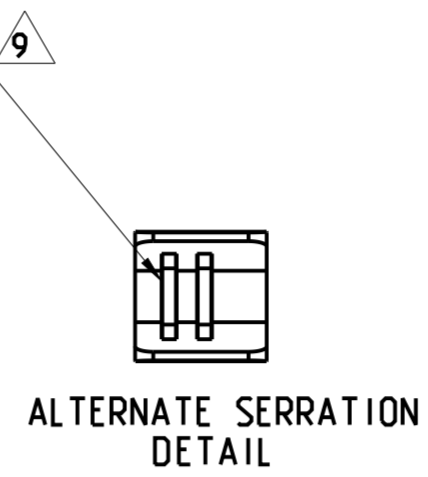
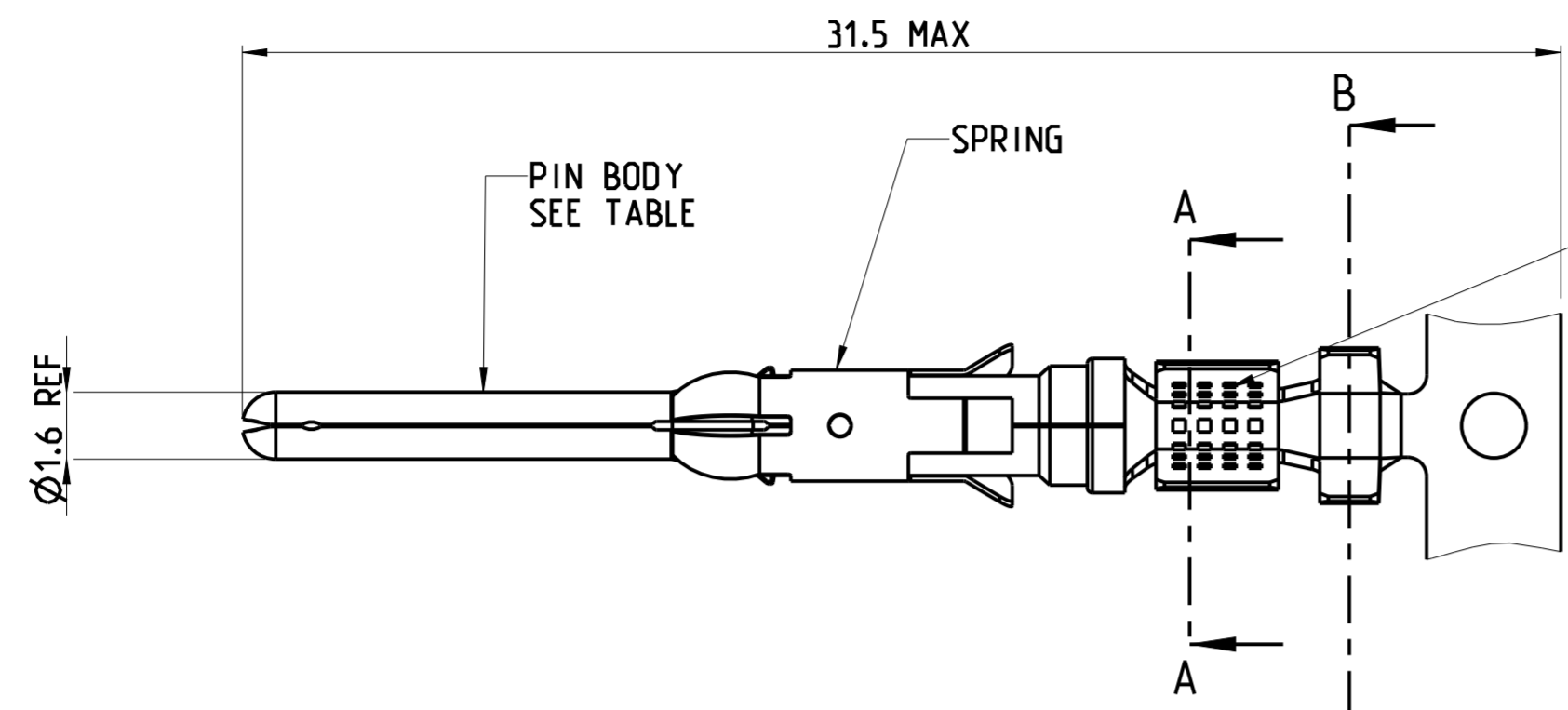


THIS DRAWING IS UNPUBLISHED. RELEASED FOR PUBLICATION 2011
 (C) COPYRIGHT 2011 ALL RIGHTS RESERVED.

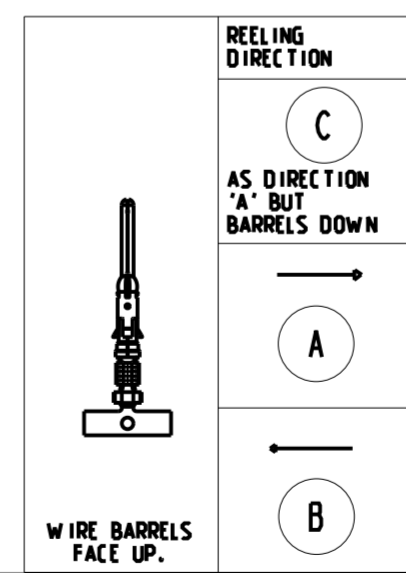
LOC	DIST	REVISIONS					
B	-	P	LTR	DESCRIPTION	DATE	DWN	APVD
		AY2		ADDITION OF NOTE 13. TEXT "REF" DIM 3 & 3.7 IN ZONE C1 & C2. DIM 27.5 TO "27.6 MAX" IN ZONE C5. PLATING ZONE 1 DIM 4.0 TO 3.0	21JULY2015	TJ	PS
		AY3		PN 1-163081-4 OBSOLETE	18MAY2017	TJ	NG
		AZ		ELECTRO TIN PLATING THK CHANGED FROM 2-5µ	26JUN2018	GV	FP
		AZ1		ECO-20-017323	15JAN2021	RK	MZ



- 1 1.27 MICRON MIN NICKEL PLATE OVER ZONE 3.
0.76 MICRON MIN PRECIOUS METAL PLATE OVER ZONE 1.
1 MICRON MIN TIN PLATE OVER ZONE 2.
CONFORMS TO THE REQUIREMENTS OF TE CONNECTIVITY PRODUCT SPEC 108-10042
BASED ON EIA/ECA-364-1000.01A (CONTROLLED ENVIRONMENT APPLICATIONS)
- 2 1.27 MICRON MIN NICKEL PLATE OVER ZONE 3.
0.69 MICRON MIN PRECIOUS METAL PLATE OVER ZONE 1.
0.076 MICRON MIN GOLD FLASH PLATE OVER THE REMAINDER OF ZONE 3.
CONFORMS TO THE REQUIREMENTS OF TE CONNECTIVITY PRODUCT SPEC 108-10042
BASED ON EIA/ECA-364-1000.01A (CONTROLLED ENVIRONMENT APPLICATIONS)
- 3 1.54 - 2.54 MICRON SILVER PLATE OVER ZONE 3.
0.76 MICRON MIN NICKEL PLATE OVER ZONE 3.
- 4 1.27 MICRON MIN NICKEL PLATE OVER ZONE 3.
0.76 MICRON MIN GOLD PLATE OVER ZONE 1.
0.076 MICRON MIN GOLDFLASH PLATE OVER THE REMAINDER OF ZONE 3.
- 5 1.27 MICRON MIN NICKEL PLATE OVER ZONE 3.
0.76 MICRON MIN GOLD PLATE OVER ZONE 1.
1 MICRON MIN TIN PLATE OVER ZONE 2.
- 6 HOT-DIPPED PRETIN
- 7 1.27 MICRONS MIN NICKEL PLATE OVER ZONE 3.
5 MICRON ELECTRO-TIN PLATE OVER ZONE 3.
- 8 0.76 MICRON MIN NICKEL PLATE OVER ZONE 3 PER QQ-N-290
1.5 - 2.54 MICRON SILVER PLATE OVER ZONE 3.
- 9 SERRATIONS CAN BE MULTILOCK OR TWO SLOTS
- 10. WIRE RANGE: 0.75 - 1.50 mm² (18-16 AWG)
- 11. INSULATION RANGE: 2.0 - 2.5 mm (.080-.100) DIA
- 12 SPECIAL REEL WITH 200 PCS FOR REEL-FED HANDTOOL
- 13. OMISSION OF 6 CONTACTS MAX PER REEL OF 5000PCS
- 14 OBSOLETE

15 5-163081-4 CONTAINS SPECIAL PACKAGING.

REELING	FINISH	SPRING MATERIAL	PIN BODY	LOOSE PIECE	PART NUMBER
15	A	7	STAINLESS STEEL	BRASS	5-163081-4
	12	7	STAINLESS STEEL	BRASS	5-163081-1
	A	3	STAINLESS STEEL	BRASS	1-163082-6 1-163081-7
	A	7	STAINLESS STEEL	PH. BRONZE	1-163081-5
	B	6	STAINLESS STEEL	PH. BRONZE	1-163081-4 14
	A	6	STAINLESS STEEL	BRASS	1-163081-3
	B	6	STAINLESS STEEL	BRASS	1-163081-2
	A	1	STAINLESS STEEL	BRASS	1-163082-0 1-163081-1
	A	7	STAINLESS STEEL	BRASS	163082-1 163081-8
	A	2	STAINLESS STEEL	BRASS	163082-2 163081-7
	B	2	STAINLESS STEEL	BRASS	163081-2
	B	7	STAINLESS STEEL	BRASS	163081-1



THIS DRAWING IS A CONTROLLED DOCUMENT.

DIMENSIONS: mm TOLERANCES UNLESS OTHERWISE SPECIFIED:
 0 PLC ±0.5
 1 PLC ±0.15
 2 PLC ±0.15
 3 PLC ±0.15
 4 PLC ANGLES ±2°

MATERIAL: SEE TABLE SEE TABLE

APVD: D. PENNINGTON 11/06/12

PRODUCT SPEC: 108-10042

APPLICATION SPEC: 114-10004

DATE: 24/10/11

CHK: M. GREENER 24/10/11

DWN: J. BRIGHT 24/10/11

STE TE Connectivity

NAME: TYPE III+, SIZE 16, PIN ASS'Y
18-16 AWG, 2.0-2.5mm DIA INSULATION

SIZE: A2 CAGE CODE: 00779 DRAWING NO: C-163081

RESTRICTED TO: CUSTOMER DRAWING SCALE: NTS SHEET 1 OF 1 REV: AZ1

X-ON Electronics

Largest Supplier of Electrical and Electronic Components

Click to view similar products for [Standard Circular Contacts](#) category:

Click to view products by [TE Connectivity](#) manufacturer:

Other Similar products are found below :

[RC16M23J](#) [133780-1](#) [RM20M13D28](#) [RM24M9D28](#) [RMMX110-1D28](#) [MS3474W10-6P L/C](#) [ELFH02211](#) [ELVP16100E](#) [164-901-CD](#)
[EN3545007SCE](#) [BV002BSQ20049CZ](#) [BV002SSQ160404CZ](#) [1900ND05S1B00B](#) [166566-1](#) [1900ND04S1X00D](#) [ST-JL05-16S-C3-100](#) [ST-JL05-20S-C1-100](#) [ST-JL05-20S-C2-100](#) [T01-CRIMP-S03](#) [APK-SA16A07-002](#) [27963-15T12](#) [CONT-JL05-08S-C2-10](#) [CONT-JL05-12S-C1-10](#) [RC16M-23T](#) [RFD26L-1D28](#) [BV002ASJ16049CW](#) [JN1-22-20S-R-PKG100](#) [031-50213](#) [031-50565](#) [031-50794](#) [SJS861301M](#) [ST-JL05-16S-C1-100](#) [ST-JL05-20P-C1-100](#) [82911466K](#) [192991-0087](#) [192900-0570](#) [44-100-1414P-1000-101](#) [T3P16FC3LZ](#) [ST-JL05-16S-C2-3500](#)
[ZP-4016-10NF](#) [CONT-JL05-12P-C1-10](#) [RM20M12G8D28](#) [031-50676](#) [12115010110](#) [RJFTVC2MG](#) [CAP-DACMDPC2](#) [031-50675-002](#)
[CAP-DD1FDPC2](#) [CAP-DACMDPC1](#) [031-50966-010](#)