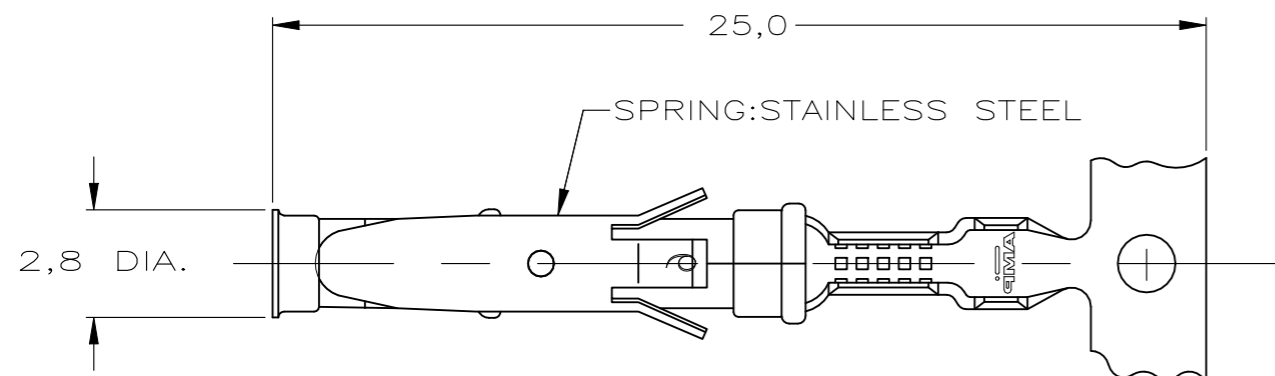
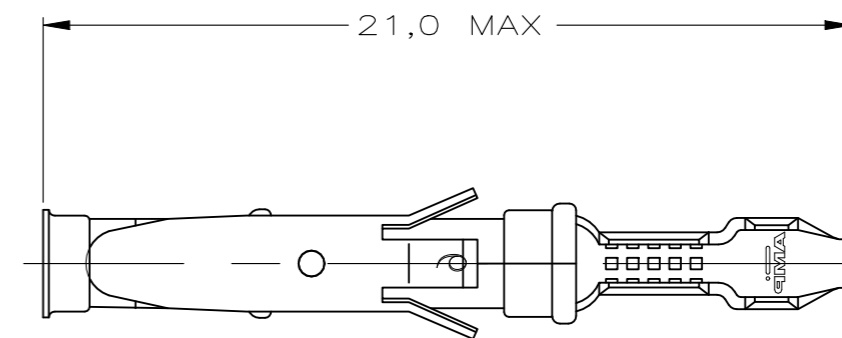


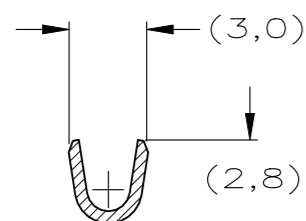
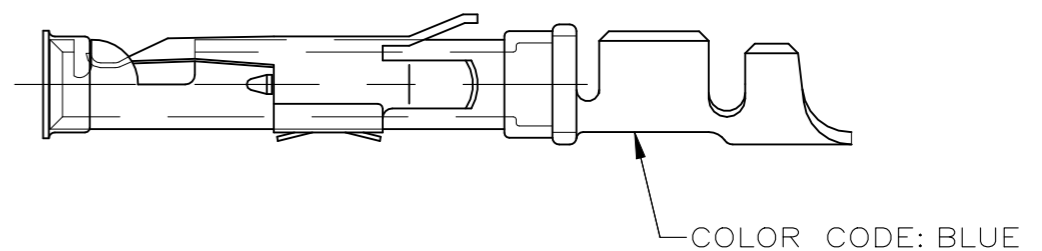
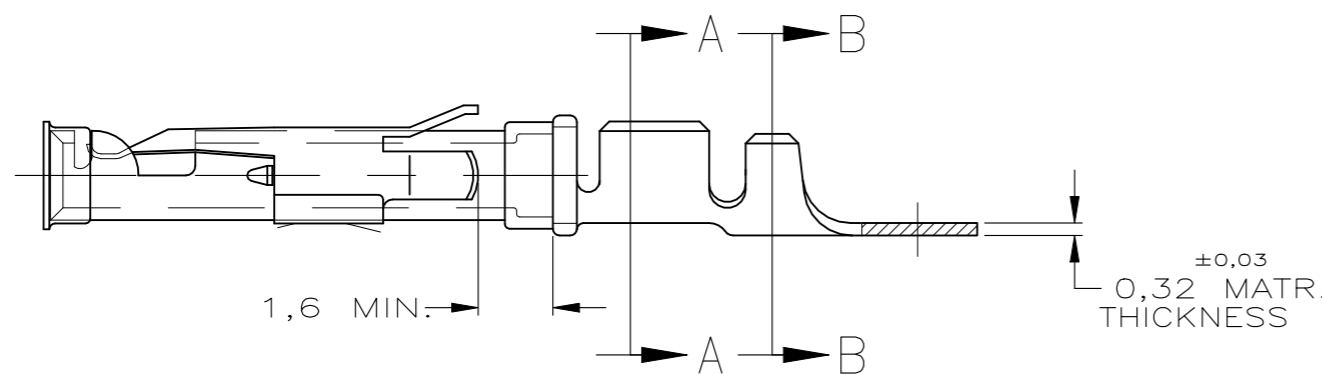
P	LTR	DESCRIPTION	DATE	DWN	APVD
	BA	ECO-21-006957	25JUN2021	RK	MZ



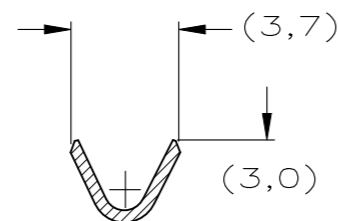
STRIP



LOOSE-PIECE

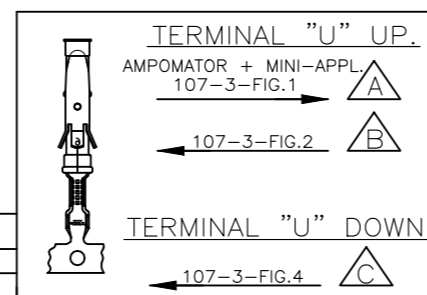


SECTION A-A



SECTION B-B

WIRE RANGE : 0,75-1,50 mm² (18-16 AWG)
 INSUL. RANGE : 2,0-2,5 mm (.080-.100)



REVISION	DESCRIPTION	DATE	MATERIAL	PLATING
△ 5-163083-3	1-163084-4		BRASS	ECON.GOLD
△ 5-163083-2			BRASS	SEL.GOLD
△ 5-163083-1			BRASS	EL.TIN
1-163083-4	1-163084-4		BRASS	EL.TIN
△ OBSOLETE 1-163083-3	1-163084-3		BRASS	BR.TIN
1-163083-2	163084-9		BRASS	SILVER
1-163083-1			BRASS	ECON.GOLD
1-163083-0	1-163084-0		BRASS	ECON.GOLD
163083-9			BRASS	SILVER
163083-8			BRASS	EL.TIN
163083-7			BRASS	SEL.GOLD
△ 163083-2	163084-2		BRASS	SEL.GOLD
△ 163083-1	163084-1		BRASS	EL.TIN
PART NUMBER	DIRECTION OF REEL	LOOSE-PIECE	MATERIAL	PLATING

- NOTES :
- 1 UL RECOGNIZED UNDER E28476 VOL VI SEC I
 - 2 FOR CRIMP DETAILS SEE SPEC. 114-19000
 - 3 MEETS PRODUCT SPECIFICATION 108-10042
 - 4 SPECIAL REEL WITH 200PCS FOR REEL-FED HAND-TOOL
 - 5 OBSOLETE PARTS: OBSOLETE CIS STREAMLINING PER D.RENAUD/D.SINISI
 - 6 OBSOLETE
 - 7 OMISSION OF 6 CONTACTS MAX PER REEL OF 5000PCS
 - 31 LUBRICATED

NOTES	MATERIAL	THICKNESS	AREA
△ 20	TIN	2,0 μm	ALL OVER
△ 21	NICKEL GOLD TIN	.76 μm .76 μm 1.01 μm	ALL OVER CONTACT AREA BARREL
△ 22	NICKEL GOLD TIN	1.27 μm .76 μm 1.01 μm	ALL OVER CONTACT AREA BARREL
△ 23	NICKEL GOLD GOLD	1,2 μm	ALL OVER CONTACT AREA ALL OVER
△ 27	NICKEL SILVER TIN	2,5 μm	ALL OVER CONTACT AREA BARREL
△ 28	SILVER NICKEL	1,5-2,5 μm 0,76 μm	ALL OVER
△ 29	SILVER	2,5 μm	ALL OVER
△ 30	NICKEL TIN	1,27 μm 1,27 μm	ALL OVER ALL OVER

THIS DRAWING IS A CONTROLLED DOCUMENT.

DIMENSIONS:	TOLERANCES UNLESS OTHERWISE SPECIFIED:
mm	0 PLC ± -
	1 PLC ± -
	2 PLC ± -
	3 PLC ± -
	4 PLC ± -
	ANGLES ± -
MATERIAL	FINISH
REFER TABLE	REFER TABLE

DWN	21JULY2015
M THAJUDEEN	
CHK	21JULY2015
GANI NIMBENNAPPA	
APVD	21JULY2015
PRASHANTH S	
PRODUCT SPEC	
108-10042	
APPLICATION SPEC	
114-19000	
WEIGHT	-
CUSTOMER DRAWING	

STE TE Connectivity			
TYPE III+, SIZE 16, SOCKET ASS'Y, 18-16 AWG, 2.0-2.5mm DIA INSULATION			
SIZE	CAGE CODE	DRAWING NO	RESTRICTED TO
A3	00779	C-163083	-
SCALE	SHEET	REV	
-	1 OF 1	BA	

X-ON Electronics

Largest Supplier of Electrical and Electronic Components

Click to view similar products for [Standard Circular Contacts](#) category:

Click to view products by [TE Connectivity](#) manufacturer:

Other Similar products are found below :

[RC16M23J](#) [133780-1](#) [RM20M13D28](#) [RM24M9D28](#) [RMMX110-1D28](#) [MS3474W10-6P L/C](#) [ELVP16100E](#) [164-901-CD](#) [EN3545007SCE](#)
[BV002BSQ20049CZ](#) [BV002SSQ160404CZ](#) [1900ND05S1B00B](#) [166566-1](#) [1900ND04S1X00D](#) [ST-JL05-16S-C3-100](#) [ST-JL05-20S-C1-100](#)
[ST-JL05-20S-C2-100](#) [T01-CRIMP-S03](#) [APK-SA16A07-002](#) [27963-15T12](#) [CONT-JL05-08S-C2-10](#) [CONT-JL05-12S-C1-10](#) [RC16M-23T](#)
[RFD26L-1D28](#) [BV002ASJ16049CW](#) [JN1-22-20S-R-PKG100](#) [031-50213](#) [031-50565](#) [031-50794](#) [SJS861301M](#) [ST-JL05-16S-C1-100](#) [ST-](#)
[JL05-20P-C1-100](#) [82911466K](#) [192991-0087](#) [192900-0570](#) [44-100-1414P-1000-101](#) [T3P16FC3LZ](#) [ST-JL05-16S-C2-3500](#) [ZP-4016-10NF](#)
[CONT-JL05-12P-C1-10](#) [RM20M12G8D28](#) [031-50676](#) [12115010110](#) [RJFTVC2MG](#) [CAP-DACMDPC2](#) [031-50675-002](#) [CAP-DD1FDPC2](#)
[CAP-DACMDPC1](#) [031-50966-010](#) [ASSP-10-F-A-C-SA](#)