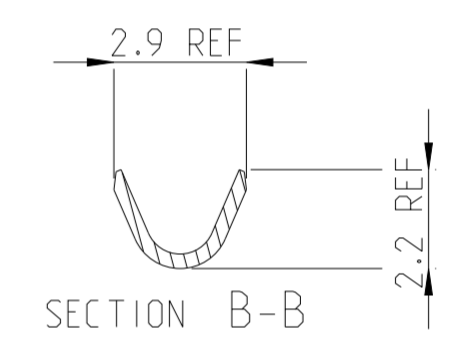
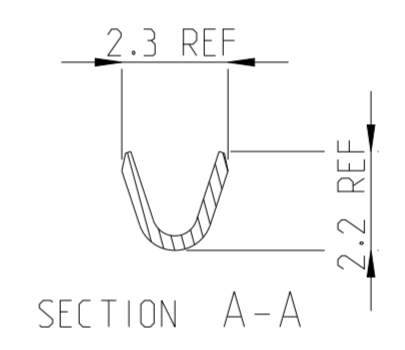
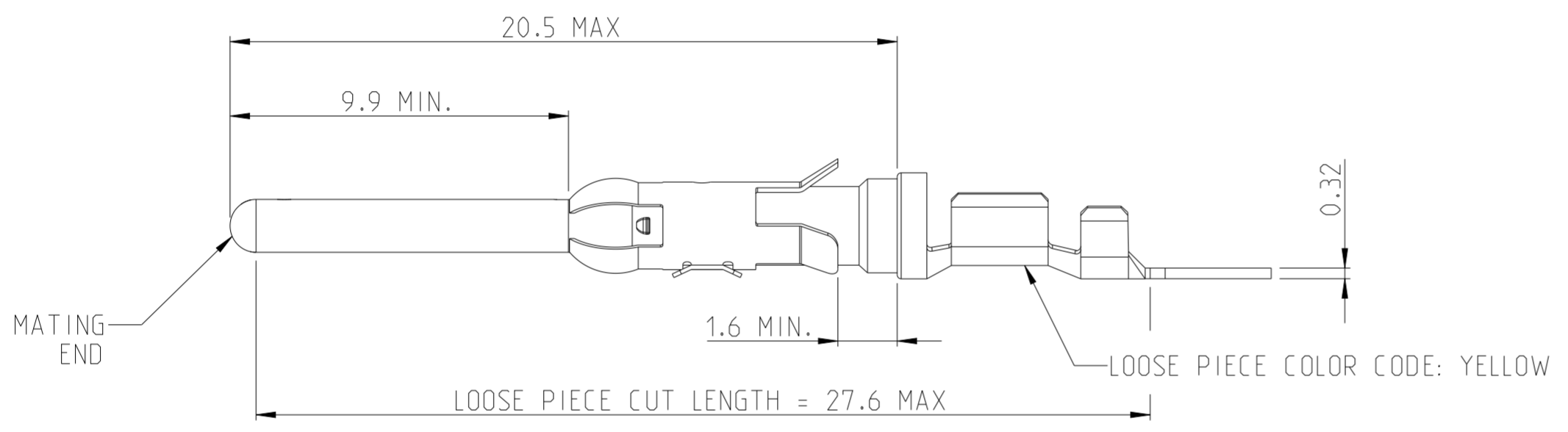
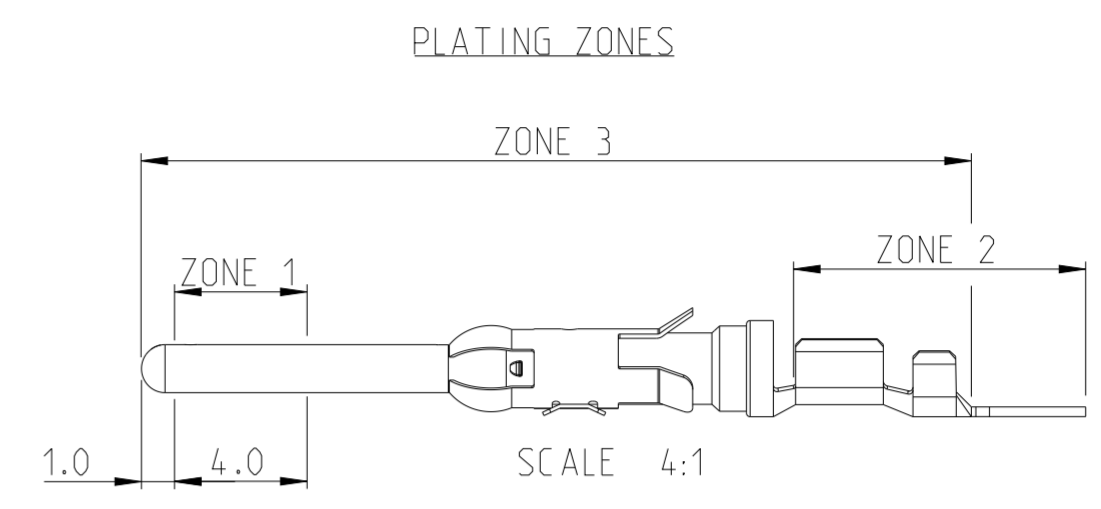
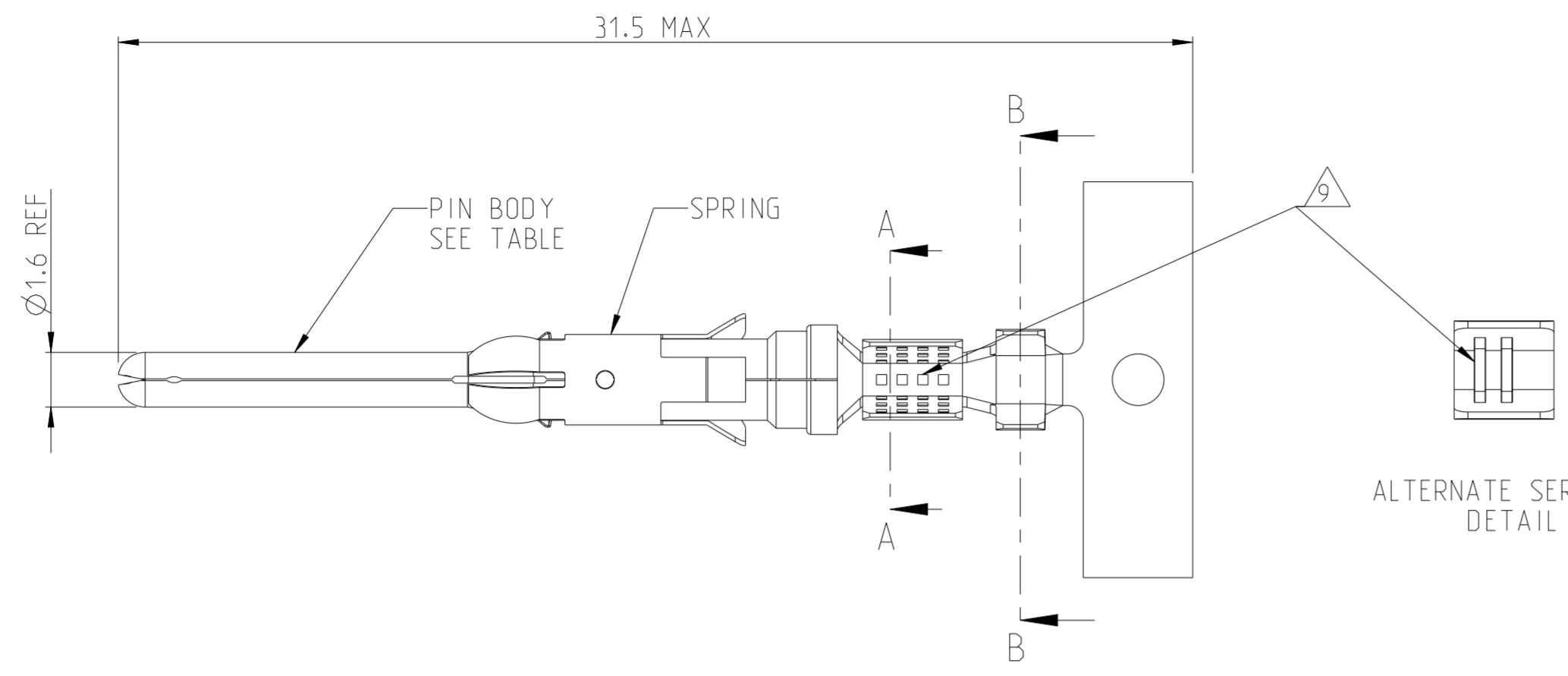
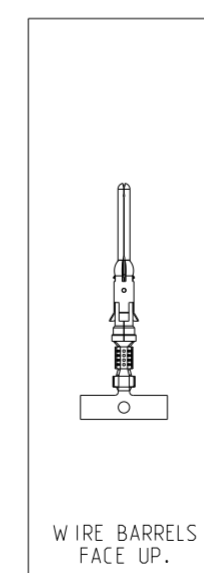


REVISIONS					
P	LTR	DESCRIPTION	DATE	DWN	APVD
AE		ECO-21-006960	26 JUL 2021	RK	MZ



NOTES:

- 1 1.27 MICRON MIN NICKEL PLATE OVER ZONE 3.
0.76 MICRON MIN PRECIOUS METAL PLATE OVER ZONE 1.
1 MICRON MIN TIN PLATE OVER ZONE 2.
CONFORMS TO THE REQUIREMENTS OF TE CONNECTIVITY PRODUCT SPEC 108-10042
BASED ON EIA/ECA-364-1000.01A (CONTROLLED ENVIRONMENT APPLICATIONS)
- 2 1.27 MICRON MIN NICKEL PLATE OVER ZONE 3.
0.76 MICRON MIN PRECIOUS METAL PLATE OVER ZONE 1.
0.076 MICRON MIN GOLD FLASH PLATE OVER THE REMAINDER OF ZONE 3.
CONFORMS TO THE REQUIREMENTS OF TE CONNECTIVITY PRODUCT SPEC 108-10042
BASED ON EIA/ECA-364-1000.01A (CONTROLLED ENVIRONMENT APPLICATIONS)
- 3 1.54 - 2.54 MICRON SILVER PLATE OVER ZONE 3.
0.76 MICRON MIN NICKEL PLATE OVER ZONE 3.
- 4 1.27 MICRON MIN NICKEL PLATE OVER ZONE 3.
0.76 MICRON MIN GOLD PLATE OVER ZONE 1.
0.076 MICRON MIN GOLDFLASH PLATE OVER THE REMAINDER OF ZONE 3.
- 5 1.27 MICRON MIN NICKEL PLATE OVER ZONE 3.
0.76 MICRON MIN GOLD PLATE OVER ZONE 1.
1 MICRON MIN TIN PLATE OVER ZONE 2.
- 6 HOT-DIPPED PRETIN
- 7 1.27 MICRONS MIN NICKEL PLATE OVER ZONE 3.
1 - 3 MICRON ELECTRO-TIN PLATE OVER ZONE 3
- 8 0.76 MICRON MIN NICKEL PLATE OVER ZONE 3 PER QQ-N-290
1.5 - 2.54 MICRON SILVER PLATE OVER ZONE 3.
- 9 SERRATIONS CAN BE MULTILOCK OR TWO SLOTS
- 10. WIRE RANGE: 0.20 - 0.50 mm² (24-20 AWG)
- 11. INSULATION RANGE: 1.1 - 1.8 mm (.043-.070) DIA
- 12. OMISSION OF 6 CONTACTS MAX PER REEL OF 5000PCS



REELING DIRECTION	FINISH	SPRING MATERIAL	PIN BODY	LOOSE PIECE	PART NUMBER
C	1	STAINLESS STEEL	BRASS		5-163085-2
AS DIRECTION 'A' BUT BARRELS DOWN	1	STAINLESS STEEL	BRASS	1-163086-0	1-163085-1
A	7	STAINLESS STEEL	BRASS	163086-1	163085-9
A	1	STAINLESS STEEL	BRASS	163086-2	163085-8
B	1	STAINLESS STEEL	BRASS		163085-2
B	7	STAINLESS STEEL	BRASS		163085-1

THIS DRAWING IS A CONTROLLED DOCUMENT.

DIMENSIONS: mm

TOLERANCES UNLESS OTHERWISE SPECIFIED:

0 PLC	± 0.5
1 PLC	± 0.25
2 PLC	± 0.15
3 PLC	± 0.15
4 PLC	±
ANGLES	± 2°
FINISH	SEE TABLE

MATERIAL: SEE TABLE

REVISIONS:

DWN	J. BRIGHT	26/10/11
CHK	M. GREENER	26/10/11
APVD	D. PENNINGTON	11/06/12

PRODUCT SPEC: 108-10042

APPLICATION SPEC: 114-10004

WEIGHT: -

CUSTOMER DRAWING

SCALE: NTS

SHEET: 1 OF 1

REV: AE

TE Connectivity

NAME: TYPE III+, SIZE 16, PIN ASS'Y
24-20 AWG, 1.1-1.8mm DIA INSULATION

SIZE: A2

CAGE CODE: 00779

DRAWING NO: 163085

RESTRICTED TO: -

X-ON Electronics

Largest Supplier of Electrical and Electronic Components

Click to view similar products for [Standard Circular Contacts](#) category:

Click to view products by [TE Connectivity](#) manufacturer:

Other Similar products are found below :

[RC16M23J](#) [133780-1](#) [RM20M13D28](#) [RM24M9D28](#) [RMMX110-1D28](#) [ELFH02211](#) [ELVP16100E](#) [164-901-CD](#) [BACS16X1A](#)
[EN3545007SCE](#) [BV002BSQ20049CZ](#) [BV002SSQ160404CZ](#) [1900ND05S1B00B](#) [SJS862201](#) [166566-1](#) [1900ND04S1X00D](#) [ST-JL05-16S-](#)
[C3-100](#) [ST-JL05-20S-C1-100](#) [ST-JL05-20S-C2-100](#) [T01-CRIMP-S03](#) [APK-SA16A07-002](#) [27963-15T12](#) [CONT-JL05-08S-C2-10](#) [CONT-](#)
[JL05-12S-C1-10](#) [RC16M-23T](#) [RFD26L-1D28](#) [BV002ASJ16049CW](#) [33505815019](#) [JN1-22-20S-R-PKG100](#) [031-50213](#) [031-50794](#)
[ELFH08251](#) [ELFP0641GE](#) [SJS861301M](#) [ST-JL05-16S-C1-100](#) [ST-JL05-20P-C1-100](#) [82911466K](#) [82911467NK](#) [ESLM03200](#) [192991-0087](#)
[192900-0570](#) [ELFH07251](#) [M12883/40-07S](#) [BACS16X3A](#) [T3P16FC3LZ](#) [ST-JL05-16S-C2-3500](#) [ZP-4016-10NF](#) [CONT-JL05-12P-C1-10](#)
[RM20M12G8D28](#) [031-50676](#)