

4

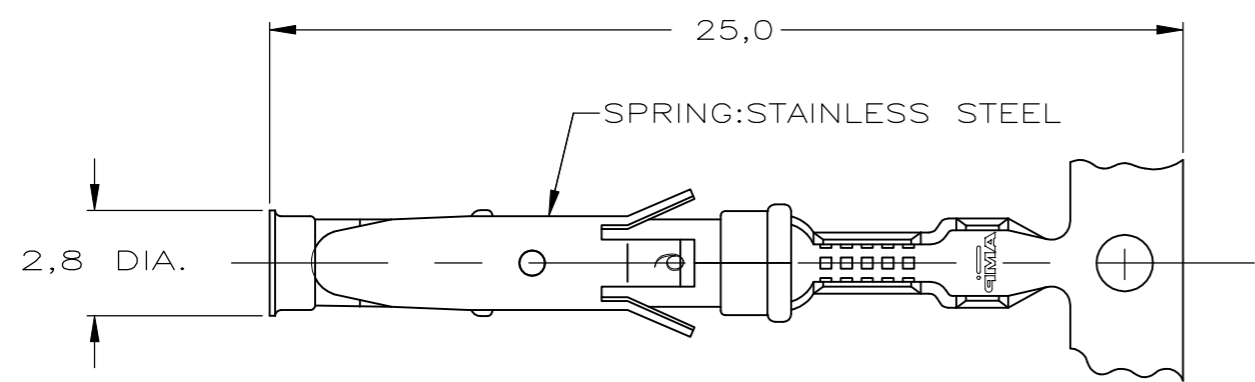
3

2

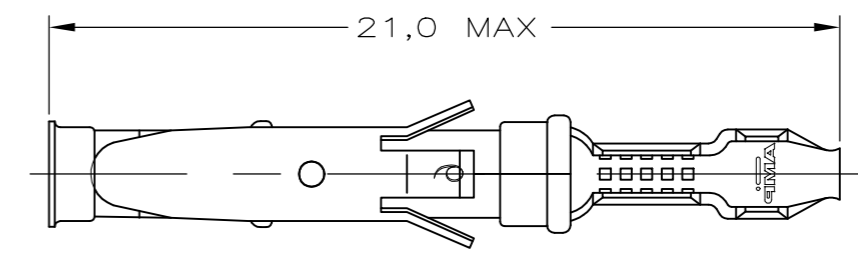
1

THIS DRAWING IS UNPUBLISHED. RELEASED FOR PUBLICATION  
 © COPYRIGHT - By - ALL RIGHTS RESERVED.

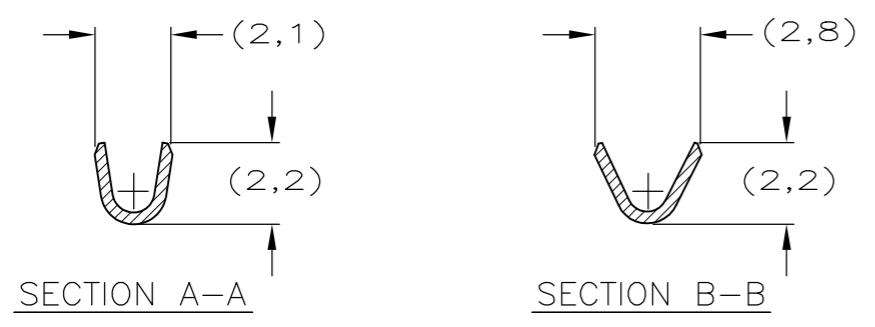
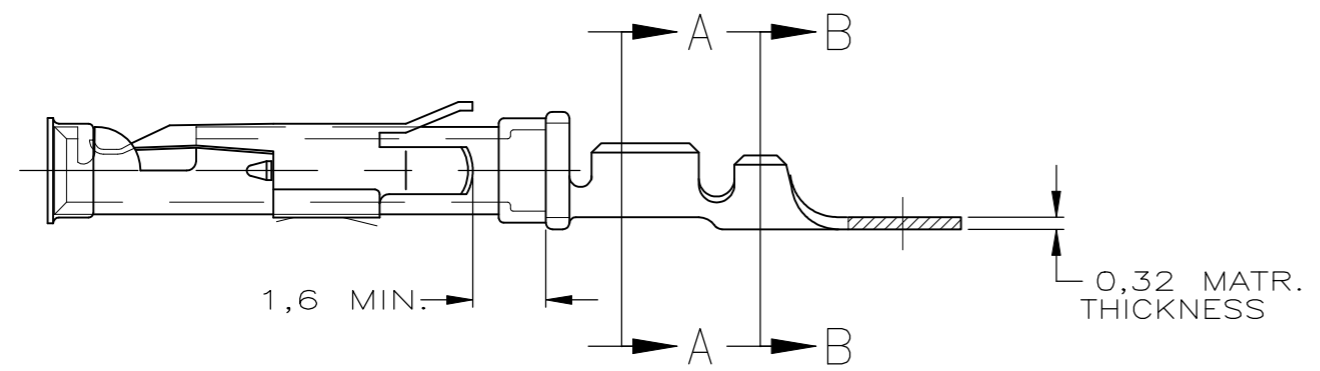
REVISIONS				
P	LTR	DESCRIPTION	DATE	APVD
	AD4	PN 1-163087-0 OBSOLETE	18MAY2017	TJ NG
	AD5	AS PER ECO-18-006235	04MAY2018	RS MZ



STRIP

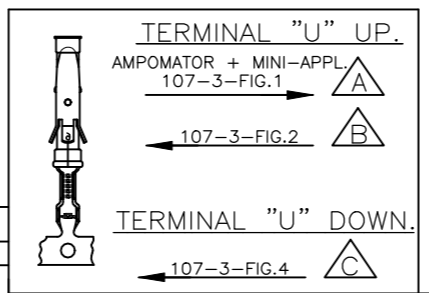


LOOSE-PIECE



WIRE RANGE : 0,2-0,50 mm<sup>2</sup> (24-20 AWG)  
 INSUL. RANGE : 1,1-1,8 mm (.080-.100)

REVISION	PART NUMBER	DIRECTION OF REEL	LOOSE-PIECE	MATERIAL	PLATING
	1-163087-5	A	61-163088-4	BRASS	SILVER
	1-163087-4	A	61-163088-4	BRASS	EL.TIN
5 OBSOLETE	1-163087-3	A	61-163088-3	BRASS	BR.TIN/LEAD
5 OBSOLETE	5-163087-3	C		BRASS	ECON.GOLD
	5-163087-2	C		BRASS	SEL.GOLD
5 OBSOLETE	5-163087-1	C		BRASS	EL.TIN
	1-163087-2	B	61-163088-1	BRASS	GOLD
	1-163087-1	A		BRASS	ECON.GOLD
6 OBSOLETE	1-163087-0	B	1-163088-0	BRASS	ECON.GOLD
	163087-9	A		BRASS	EL.TIN
	163087-8	A		BRASS	SEL.GOLD
1	163087-2	B	163088-2	BRASS	SEL.GOLD
1	163087-1	B	163088-1	BRASS	EL.TIN



- NOTES :
- 1 UL RECOGNIZED UNDER E28476 VOL VI SEC I
  - 2 FOR CRIMP DETAILS SEE SPEC. 114-19000
  - 3 MEETS PRODUCT SPECIFICATION 108-10042
  - 4 SPECIAL REEL WITH 200PCS FOR REEL-FED HAND-TOOL
  - 5 OBSOLETE PARTS: OBSOLETE CIS STREAMLINING PER D.RENAUD/D.SINISI
  - 6 OBSOLETE
  - 7 OMISSION OF 6 CONTACTS MAX PER REEL OF 5000PCS
  - 31 LUBRICATED

NOTES	MATERIAL	THICKNESS	AREA
20	TIN	2,0 μm	ALL OVER
21	NICKEL GOLD TIN	0,8 μm	ALL OVER CONTACT AREA BARREL
22	NICKEL GOLD GOLD	0,8 μm	ALL OVER CONTACT AREA ALL OVER
23	NICKEL GOLD GOLD	1,2 μm	ALL OVER CONTACT AREA ALL OVER
27	NICKEL SILVER TIN	2,5 μm	ALL OVER CONTACT AREA BARREL
28	SILVER NICKEL	1,5-2,5 μm 0,76 μm	ALL OVER
29	SILVER	2,5 μm	ALL OVER
30	NICKEL BR TIN	1,27 μm	ALL OVER

THIS DRAWING IS A CONTROLLED DOCUMENT.

DIMENSIONS: mm

TOLERANCES UNLESS OTHERWISE SPECIFIED:

0 PLC	± -
1 PLC	± -
2 PLC	± -
3 PLC	± -
4 PLC	± -
ANGLES	± -

MATERIAL REFER TABLE FINISH REFER TABLE

TE Connectivity

NAME: TYPE III+, SIZE 16, SOCKET ASS'Y, 24-20 AWG, 1.1-1.8mm DIA INSULATION

SIZE: A3 CAGE CODE: 00779 DRAWING NO: C-163087 RESTRICTED TO: -

SCALE: - SHEET: 1 OF 1 REV: AD5

APPLICATOR: M THAJUDEEN 21JULY2015  
 CHK: GANI NIMBENNAPPA 21JULY2015  
 APVD: PRASHANTH S 21JULY2015

PRODUCT SPEC: 108-10042  
 APPLICATION SPEC: 114-19000  
 WEIGHT: 0.539g

CUSTOMER DRAWING

## X-ON Electronics

Largest Supplier of Electrical and Electronic Components

*Click to view similar products for [Standard Circular Contacts](#) category:*

*Click to view products by [TE Connectivity](#) manufacturer:*

Other Similar products are found below :

[RC16M23J](#) [133780-1](#) [RM20M13D28](#) [RM24M9D28](#) [RMMX110-1D28](#) [MS3474W10-6P L/C](#) [ELVP16100E](#) [164-901-CD](#) [EN3545007SCE](#)  
[BV002BSQ20049CZ](#) [BV002SSQ160404CZ](#) [1900ND05S1B00B](#) [166566-1](#) [1900ND04S1X00D](#) [ST-JL05-16S-C3-100](#) [ST-JL05-20S-C1-100](#)  
[ST-JL05-20S-C2-100](#) [T01-CRIMP-S03](#) [APK-SA16A07-002](#) [27963-15T12](#) [CONT-JL05-08S-C2-10](#) [CONT-JL05-12S-C1-10](#) [RC16M-23T](#)  
[RFD26L-1D28](#) [BV002ASJ16049CW](#) [JN1-22-20S-R-PKG100](#) [031-50213](#) [031-50565](#) [031-50794](#) [SJS861301M](#) [ST-JL05-16S-C1-100](#) [ST-](#)  
[JL05-20P-C1-100](#) [82911466K](#) [192991-0087](#) [192900-0570](#) [44-100-1414P-1000-101](#) [T3P16FC3LZ](#) [ST-JL05-16S-C2-3500](#) [ZP-4016-10NF](#)  
[CONT-JL05-12P-C1-10](#) [RM20M12G8D28](#) [031-50676](#) [12115010110](#) [RJFTVC2MG](#) [CAP-DACMDPC2](#) [031-50675-002](#) [CAP-DD1FDPC2](#)  
[CAP-DACMDPC1](#) [031-50966-010](#) [ASSP-10-F-A-C-SA](#)