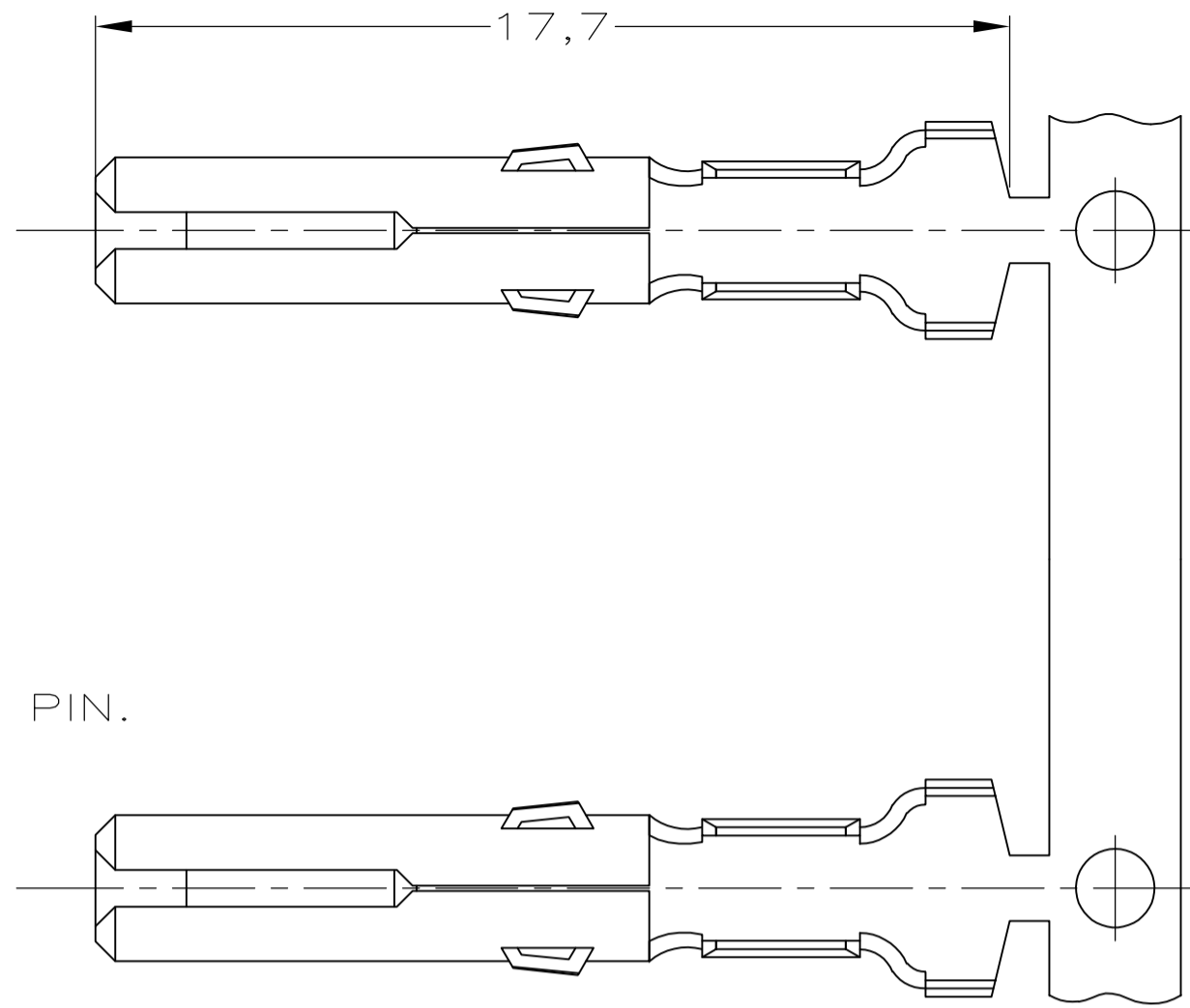
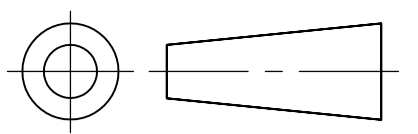


DO NOT SCALE

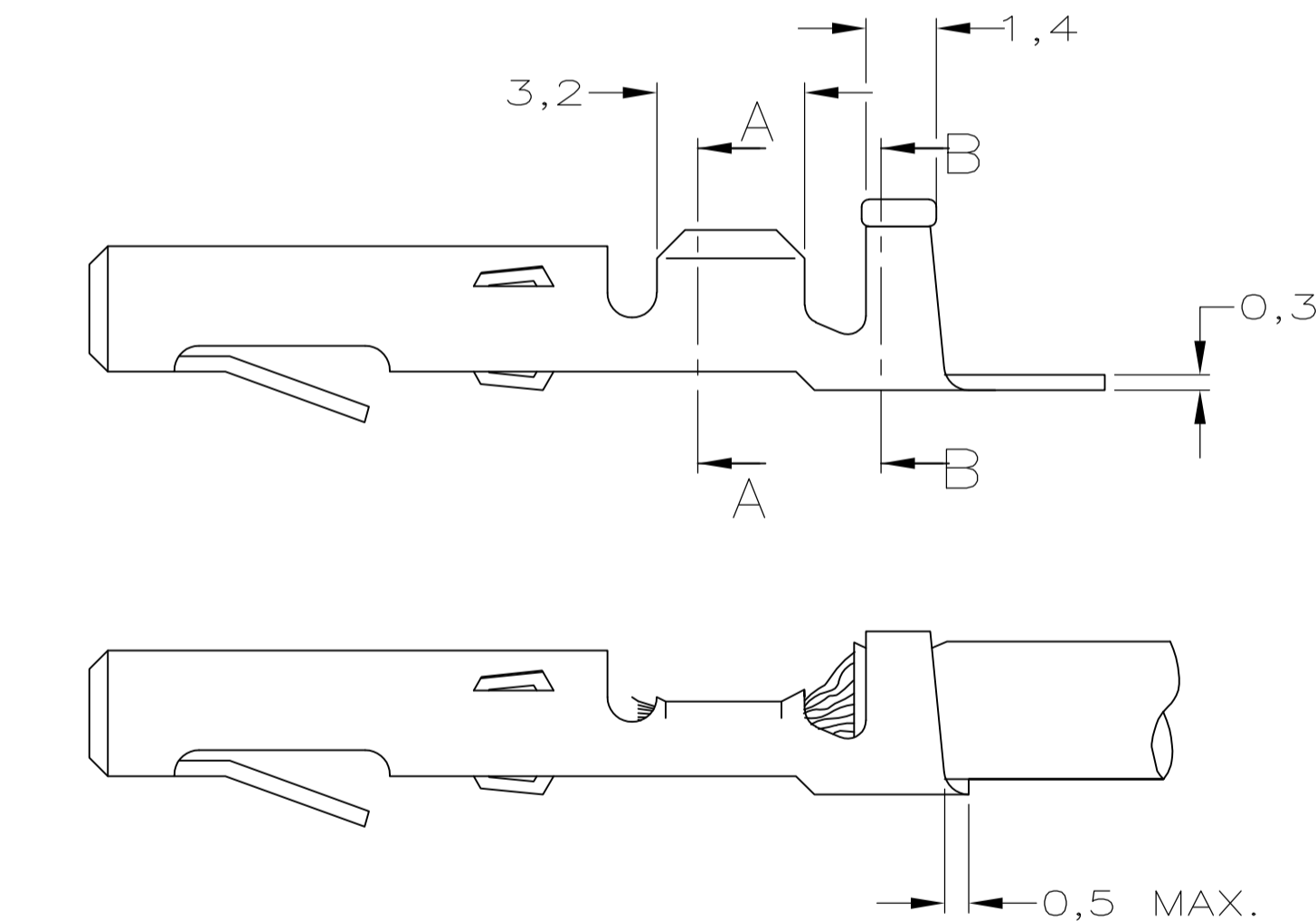
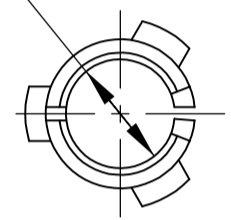
DIMENSIONS IN mm

METRIC

THIRD ANGLE
PROJECTION

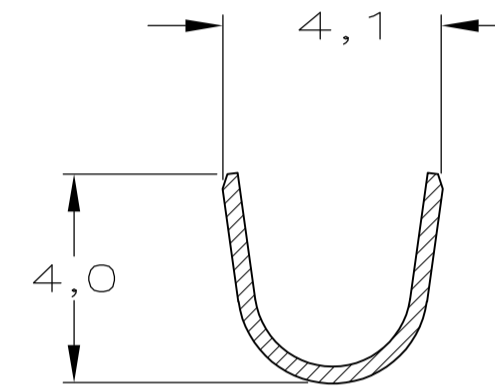


FOR 2,1 DIA. PIN.

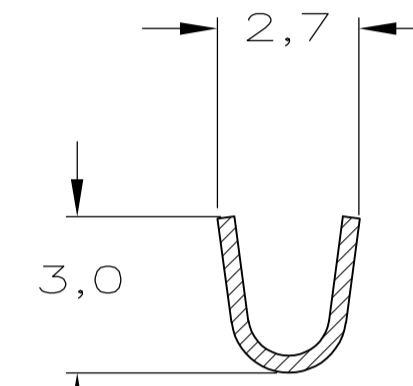


NOTES:

- △1 FOR USE ON STANDARD APPLICATORS.(RIGHT-LEFT FEED)
- △2 FOR USE ON MINIATURE APPLICATORS.(LEFT-RIGHT FEED)
- △3 FOR USE ON MINIATURE APPLICATORS,
AMP O-MATOR APPLICATION.(LEFT-RIGHT FEED)
- △4 OBSOLETE PARTS: OBSOLETE CIS STREAMLINING PER D.RENAUD/D.SINISI



SECTION B-B



SECTION A-A

WIRE RANGE :	0,5-1,0mm ² AWG
INSULATION RANGE :	1,8-3,3mm DIA.

△4 OBSOLETE	△2	SEL. GOLD	BRASS	-8=163300-1
OBSOLETE	△3	PRE-TINPLATED	BRASS	1=163300-5
	△2	PRE-TINPLATED	PHOSPHOR BR.	163300-8
	△2	UNPLATED	PHOSPHOR BR.	163300-7
	△2	PRE-TINPLATED	BRASS	163300-6
	△2	UNPLATED	BRASS	163300-5
△4 OBSOLETE	△1	PRE-TINPLATED	PHOSPHOR BR.	163300-4
	△1	UNPLATED	PHOSPHOR BR.	163300-3
	△1	PRE-TINPLATED	BRASS	163300-2
	△1	UNPLATED	BRASS	163300-1
		PLATING	MATERIAL	PARTNUMBER

—					CUSTOMER DRAWING					FOR REFERENCE ONLY WILL NOT BE UPDATED					
—					© COPYRIGHT — BY										
—					ALL INTERNATIONAL RIGHTS RESERVED.										
—					THIS DRAWING IS UNPUBLISHED										
—					RELEASED FOR PUBLICATION —,19—										
—															
—															
J2	REVISED PER ECO-11-005294	RK	HMR	13APR11	NAME					SOCKET MATE-N-LOK.					
LTR.	REVISION RECORD		DR.	CHK.	DATE										
DR.:	J.V.D.HEIJDEN.	CHK.:	A.BIJNEN.	APP.:	L.V.SOEST.	DWG.No.					REV.LTR.	SHEET			
DATE:	10-04-92	DATE:	-	DATE:	-	163300					J2	1 OF 1	A3		

X-ON Electronics

Largest Supplier of Electrical and Electronic Components

Click to view similar products for [Pin & Socket Connectors](#) category:

Click to view products by [TE Connectivity](#) manufacturer:

Other Similar products are found below :

[6450822-1](#) [770392-1](#) [794042-1](#) [796885-1](#) [8-794535-1](#) [PLR3455ACS-222](#) [R929991004](#) [R929993003](#) [1403611-1](#) [1-480349-5](#) [152302-5](#)
[153211-2](#) [1586092-1](#) [1586129-1](#) [1586681-4](#) [1586700-1](#) [1586368-1](#) [1586380-1](#) [1586616-1](#) [1586680-5](#) [16-06-0038](#) [164164-5](#) [1-6609930-1](#)
[172296-1](#) [19-09-2035](#) [200503-1](#) [200788-2](#) [2029090-4](#) [2029095-4](#) [925061-7](#) [293734-4](#) [293737-2](#) [1-765362-4](#) [1871534-1](#) [200833-4](#)
[2008625-2](#) [2029027-2](#) [2029096-4](#) [R929991000](#) [R929991002](#) [R929993000](#) [319-10-101-00-005000](#) [319-10-102-00-001000](#) [319-10-104-00-001000](#) [319-10-105-00-001000](#) [319-10-108-00-001000](#) [319-10-112-00-006000](#) [39-01-8019](#) [319-10-101-00-001000](#) [319-10-102-00-005000](#)