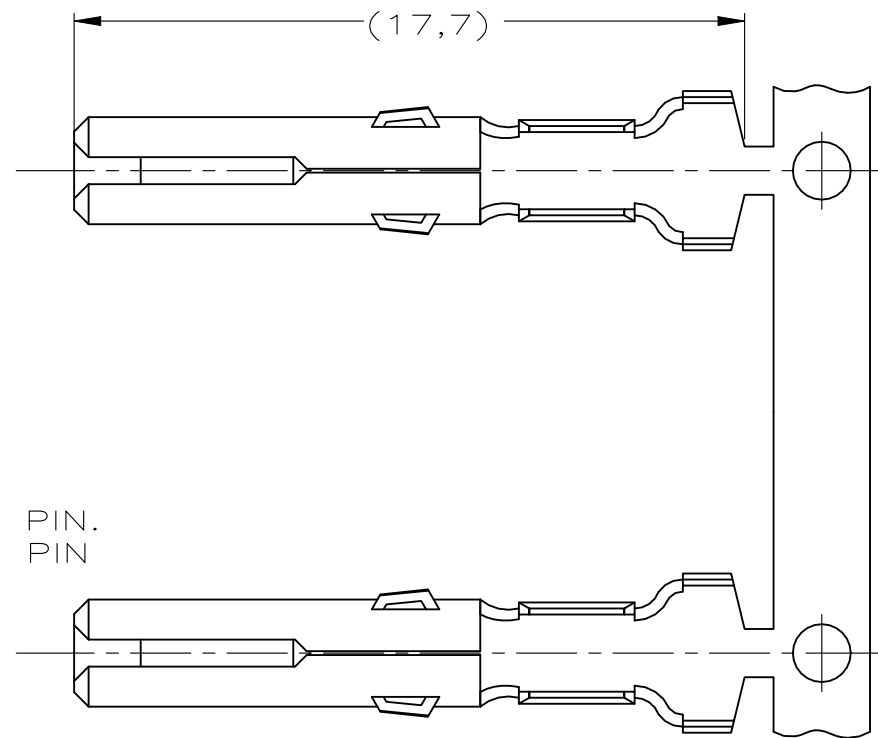
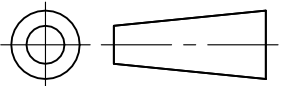


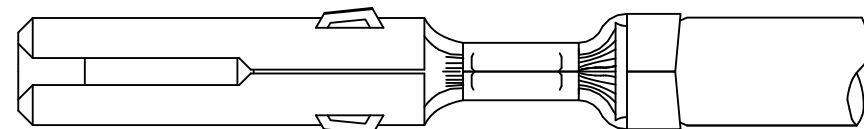
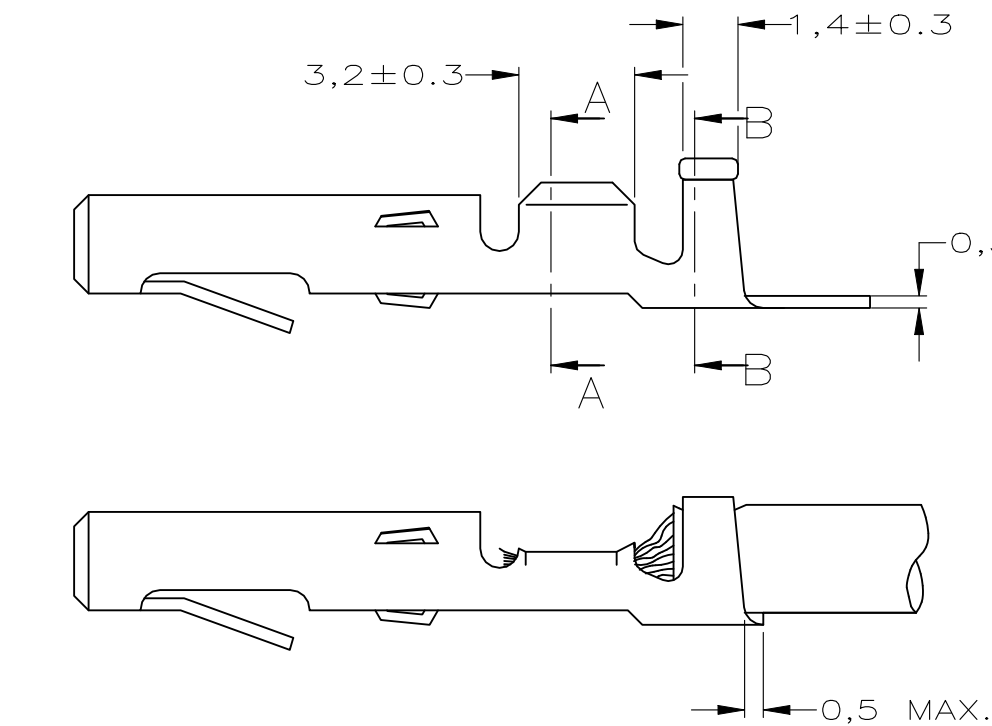
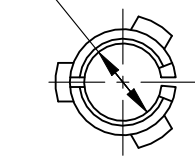
DO NOT SCALE
DIMENSIONS IN mm

METRIC

THIRD ANGLE
PROJECTION

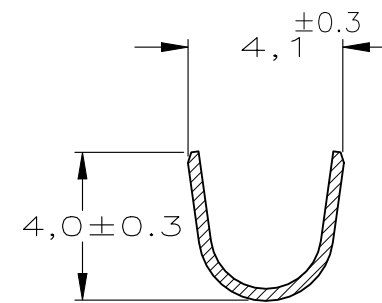


FOR 2,1 DIA. PIN.
MATE-N-LOK PIN

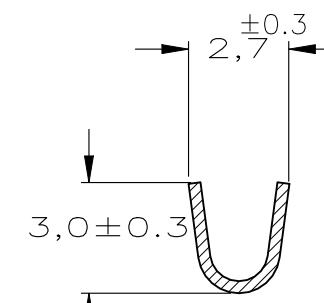


NOTES:

- ① FOR USE ON STANDARD APPLICATORS.(RIGHT-LEFT FEED)
- ② FOR USE ON MINIATURE APPLICATORS.(LEFT-RIGHT FEED)
- ③ FOR USE ON MINIATURE APPLICATORS,
AMP O-MATOR APPLICATION.(LEFT-RIGHT FEED)
- ④ OBSOLETE PARTS: OBSOLETE CIS STREAMLINING PER D.RENAUD/D.SINISI



SECTION B-B



SECTION A-A

WIRE RANGE :
0,5-1,0mm² AWG
INSULATION RANGE :
1,8-3,3mm DIA.

PLATING	PLATING	MATERIAL	PARTNUMBER	
④ OBSOLETE	②	SEL. GOLD	BRASS	8=163300=1
OBSOLETE	③	PRE-TINPLATED	BRASS	1=163300=5
	②	PRE-TINPLATED	PHOSPHOR BR.	163300=8
OBSOLETE	②	UNPLATED	PHOSPHOR BR.	163300=7
	②	PRE-TINPLATED	BRASS	163300=6
OBSOLETE	②	UNPLATED	BRASS	163300=5
④ OBSOLETE	①	PRE-TINPLATED	PHOSPHOR BR.	163300=4
	①	UNPLATED	PHOSPHOR BR.	163300=3
	①	PRE-TINPLATED	BRASS	163300=2
OBSOLETE	①	UNPLATED	BRASS	163300=1

CUSTOMER DRAWING					FOR REFERENCE ONLY WILL NOT BE UPDATED	
© COPYRIGHT - BY					ALL INTERNATIONAL RIGHTS RESERVED.	
THIS DRAWING IS UNPUBLISHED					RELEASED FOR PUBLICATION	
J4	REVISED PER ECR-21-111103	PJ	VS	18AUG2021	TE Connectivity NAME SOCKET MATE-N-LOK.	
J3	REVISED PER ECR-21-101087	PJ	VS	11MAY2021		
J2	REVISED PER ECO-11-005294	RK	HMR	13APR11		
LTR.	REVISION RECORD	DR.	CHK.	DATE		
DR.:	J.V.D.HEIJDEN.	CHK.:	A.BIJNEN.	APP.:	L.V.SOEST.	DWG.No.
DATE:	10-04-92	DATE:	-	DATE:	-	163300
						REV.LTR.
						J4
						SHEET
						1 OF 1
						A3

X-ON Electronics

Largest Supplier of Electrical and Electronic Components

Click to view similar products for [Pin & Socket Connectors](#) category:

Click to view products by [TE Connectivity](#) manufacturer:

Other Similar products are found below :

[6450822-1](#) [770392-1](#) [794042-1](#) [796885-1](#) [8-794535-1](#) [PLR3455ACS-222](#) [R929991004](#) [R929993003](#) [1403611-1](#) [1-480349-5](#) [152302-5](#)
[153211-2](#) [1586092-1](#) [1586129-1](#) [1586681-4](#) [1586700-1](#) [1586368-1](#) [1586380-1](#) [1586616-1](#) [1586680-5](#) [16-06-0038](#) [164164-5](#) [1-6609930-1](#)
[172296-1](#) [19-09-2035](#) [200503-1](#) [200788-2](#) [2029090-4](#) [2029095-4](#) [925061-7](#) [293734-4](#) [293737-2](#) [1-765362-4](#) [1871534-1](#) [200833-4](#)
[2008625-2](#) [2029027-2](#) [2029096-4](#) [R929991000](#) [R929991002](#) [R929993000](#) [319-10-101-00-005000](#) [319-10-102-00-001000](#) [319-10-104-00-001000](#) [319-10-105-00-001000](#) [319-10-108-00-001000](#) [319-10-112-00-006000](#) [39-01-8019](#) [319-10-101-00-001000](#) [319-10-102-00-005000](#)