

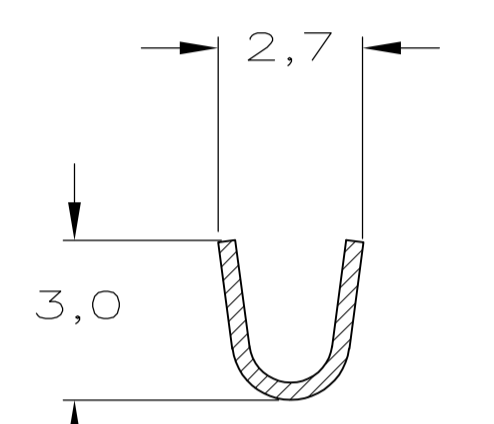
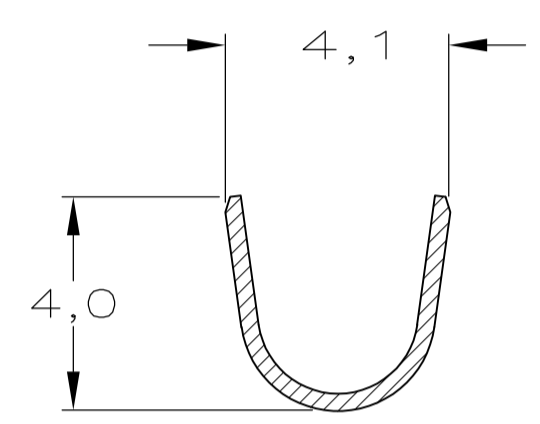
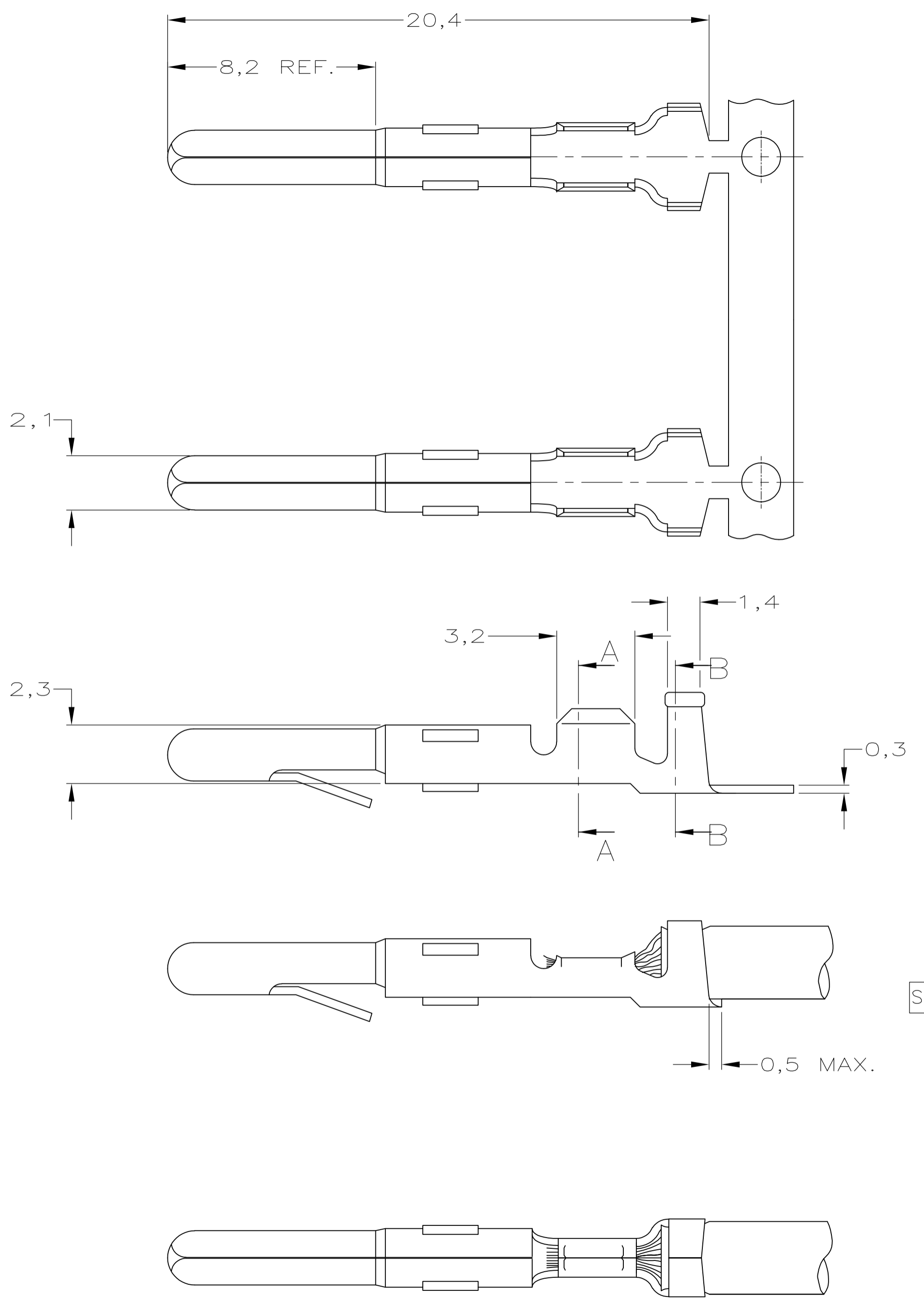
DO NOT SCALE
DIMENSIONS IN mm

METRIC

THIRD ANGLE
PROJECTION

NOTES:

- ① FOR USE ON STANDARD APPLICATORS.(RIGHT-LEFT FEED)
- ② FOR USE ON MINIATURE APPLICATORS.(LEFT-RIGHT FEED)
- ③ FOR USE ON MINIATURE APPLICATORS,
AMP O-MATOR APPLICATION.(LEFT-RIGHT FEED)
- ④ OBSOLETE PARTS: OBSOLETE CIS STREAMLINING PER D.RENAUD/D.SINISI



WIRE RANGE :
0,5-1,0mm² AWG
INSULATION RANGE :
1,8-3,3mm DIA.

④ OBSOLETE	②	SEL. GOLD	-	8-163301-3
④	③ ①		BRASS	1-163301-7
	②	NICKEL	BRASS	1-163301-2
	①	NICKEL	BRASS	1-163301-1
	②	PRE-TINPLATED	PHOSPHOR BR.	163301-8
④ OBSOLETE	②	UNPLATED	PHOSPHOR BR.	163301-7
	②	PRE-TINPLATED	BRASS	163301-6
④ OBSOLETE	②	UNPLATED	BRASS	163301-5
	①	PRE-TINPLATED	PHOSPHOR BR.	163301-4
	①	UNPLATED	PHOSPHOR BR.	163301-3
SUP BY 163301-6	①	PRE-TINPLATED	BRASS	163301-2
	①	UNPLATED	BRASS	163301-1
		PLATING	MATERIAL	PARTNUMBER

CUSTOMER DRAWING					FOR REFERENCE ONLY WILL NOT BE UPDATED	
© COPYRIGHT 19 - BY -					ALL INTERNATIONAL RIGHTS RESERVED.	
THIS DRAWING IS UNPUBLISHED					RELEASED FOR PUBLICATION - ,19 -	
					NAME	
					PIN MATE-N-LOK.	
K2	REVISED PER ECO-11-05294	RK	HMR	05APR11		
DR.: J.V.D.HEIJDEN.	CHK.: A.BIJNEN.	APP.: L.V.SOEST.	DWG.No.		REV.LTR.	SHEET
DATE: 10-04-92	DATE: -	DATE: -	C-163301		K2	1 OF 1

X-ON Electronics

Largest Supplier of Electrical and Electronic Components

Click to view similar products for [Pin & Socket Connectors](#) category:

Click to view products by [TE Connectivity](#) manufacturer:

Other Similar products are found below :

[6450822-1](#) [770392-1](#) [794042-1](#) [796885-1](#) [8-794535-1](#) [PLR3455ACS-222](#) [R929991004](#) [R929993003](#) [1403611-1](#) [1-480349-5](#) [152302-5](#)
[153211-2](#) [1586092-1](#) [1586129-1](#) [1586681-4](#) [1586700-1](#) [1586368-1](#) [1586380-1](#) [1586616-1](#) [1586680-5](#) [16-06-0038](#) [164164-5](#) [1-6609930-1](#)
[172296-1](#) [19-09-2035](#) [200503-1](#) [200788-2](#) [2029090-4](#) [2029095-4](#) [925061-7](#) [293734-4](#) [293737-2](#) [1-765362-4](#) [1871534-1](#) [200833-4](#)
[2008625-2](#) [2029027-2](#) [2029096-4](#) [R929991000](#) [R929991002](#) [R929993000](#) [319-10-101-00-005000](#) [319-10-102-00-001000](#) [319-10-104-00-001000](#) [319-10-105-00-001000](#) [319-10-108-00-001000](#) [319-10-112-00-006000](#) [39-01-8019](#) [319-10-101-00-001000](#) [319-10-102-00-005000](#)