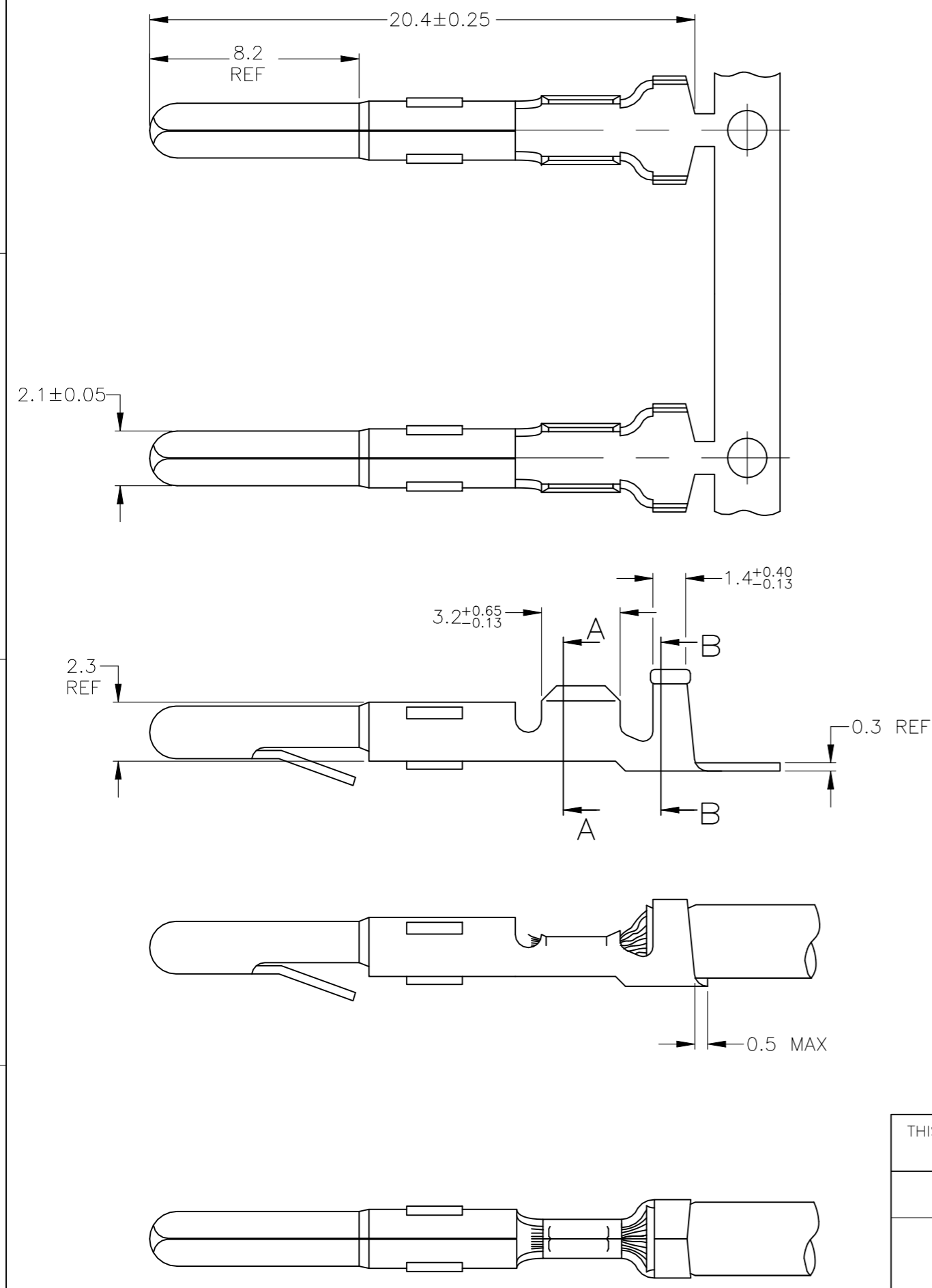
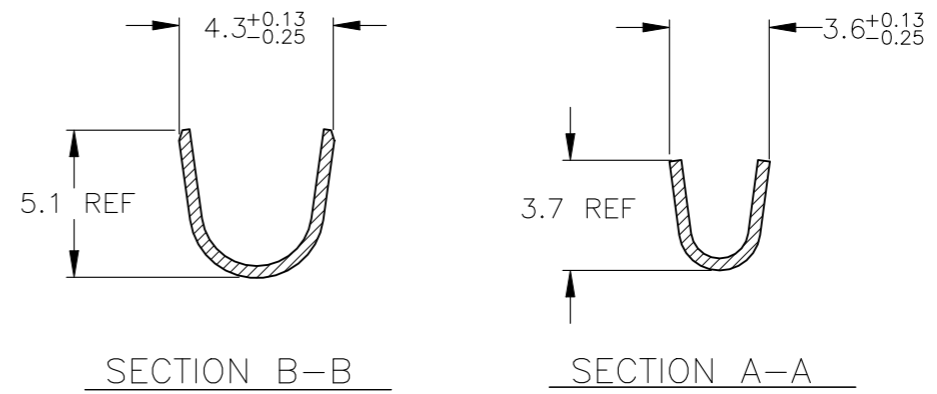


THIS DRAWING IS UNPUBLISHED. RELEASED FOR PUBLICATION
 © COPYRIGHT - By - ALL RIGHTS RESERVED.

REVISIONS				
P	LTR	DESCRIPTION	DATE	APVD
F3		REVISED PER ECR-18-008156	21JUN2018	JB DZ



△1 FOR USE ON STANDARD APPLICATORS.(RIGHT-LEFT FEED)
 △2 FOR USE ON MINIATURE APPLICATORS.(LEFT-RIGHT FEED)



WIRE RANGE :
 1.0-2.5mm² AWG
 INSULATION RANGE
 2.6-3.8mm DIA

	△2	GOLD	BRASS	1-163303-0
	△1	GOLD	PHOSPHOR BR.	163303-9
	△2	PRE-TINPLATED	PHOSPHOR BR.	163303-8
OBSOLETE	△2	UNPLATED	PHOSPHOR BR.	163303-7
	△2	PRE-TINPLATED	BRASS	163303-6
OBSOLETE	△2	UNPLATED	BRASS	163303-5
	△1	PRE-TINPLATED	PHOSPHOR BR.	163303-4
	△1	UNPLATED	PHOSPHOR BR.	163303-3
OBSOLETE	△1	PRE-TINPLATED	BRASS	163303-2
	△1	UNPLATED	BRASS	163303-1
		PLATING	PLATING	MATERIAL PART NUMBER

THIS DRAWING IS A CONTROLLED DOCUMENT.

DIMENSIONS: mm	TOLERANCES UNLESS OTHERWISE SPECIFIED: 0 PLC ± - 1 PLC ± - 2 PLC ± - 3 PLC ± - 4 PLC ± - ANGLES ± -	DWN J.v.LIEMPT 24 OCT 96 CHK A.BIJNEN. APVD M.v.DRIEL PRODUCT SPEC APPLICATION SPEC WEIGHT 0.000000	TE Connectivity PIN MATE-N-LOK.	
MATERIAL -	FINISH -	SIZE A3 CAGE CODE 00779 DRAWING NO C-163303	RESTRICTED TO -	
		CUSTOMER DRAWING	SCALE -	SHEET 1 OF 1 REV F3

X-ON Electronics

Largest Supplier of Electrical and Electronic Components

Click to view similar products for [Pin & Socket Connectors](#) category:

Click to view products by [TE Connectivity](#) manufacturer:

Other Similar products are found below :

[6450822-1](#) [770392-1](#) [794042-1](#) [796885-1](#) [8-794535-1](#) [PLR3455ACS-222](#) [R929991004](#) [R929993003](#) [1403611-1](#) [1-480349-5](#) [152302-5](#)
[153211-2](#) [1586092-1](#) [1586129-1](#) [1586681-4](#) [1586700-1](#) [1586368-1](#) [1586380-1](#) [1586616-1](#) [1586680-5](#) [16-06-0038](#) [164164-5](#) [1-6609930-1](#)
[172296-1](#) [19-09-2035](#) [200503-1](#) [200788-2](#) [2029090-4](#) [2029095-4](#) [925061-7](#) [293734-4](#) [293737-2](#) [1-765362-4](#) [1871534-1](#) [200833-4](#)
[2008625-2](#) [2029027-2](#) [2029096-4](#) [R929991000](#) [R929991002](#) [R929993000](#) [319-10-101-00-005000](#) [319-10-102-00-001000](#) [319-10-104-00-001000](#) [319-10-105-00-001000](#) [319-10-108-00-001000](#) [319-10-112-00-006000](#) [39-01-8019](#) [319-10-101-00-001000](#) [319-10-102-00-005000](#)