

THIS DRAWING IS UNPUBLISHED. RELEASED FOR PUBLICATION
 © COPYRIGHT - By - ALL RIGHTS RESERVED.

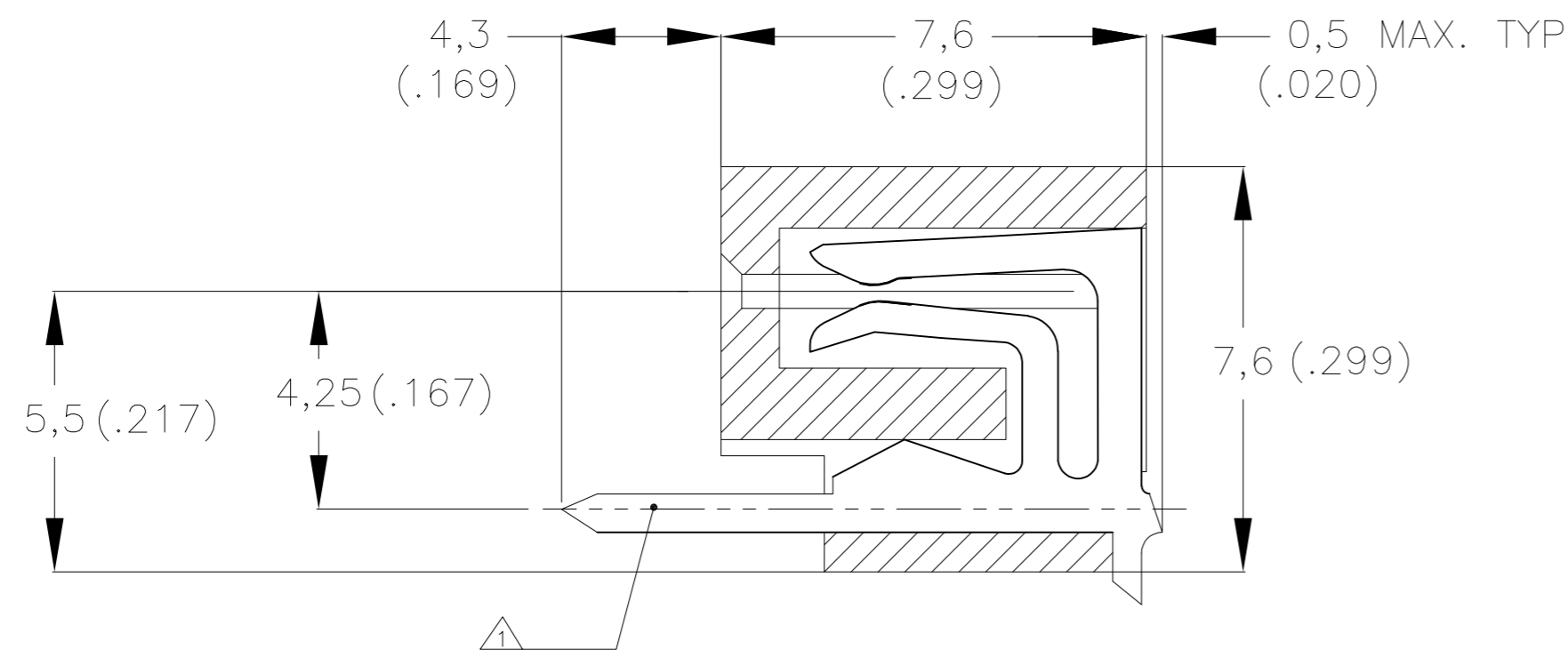
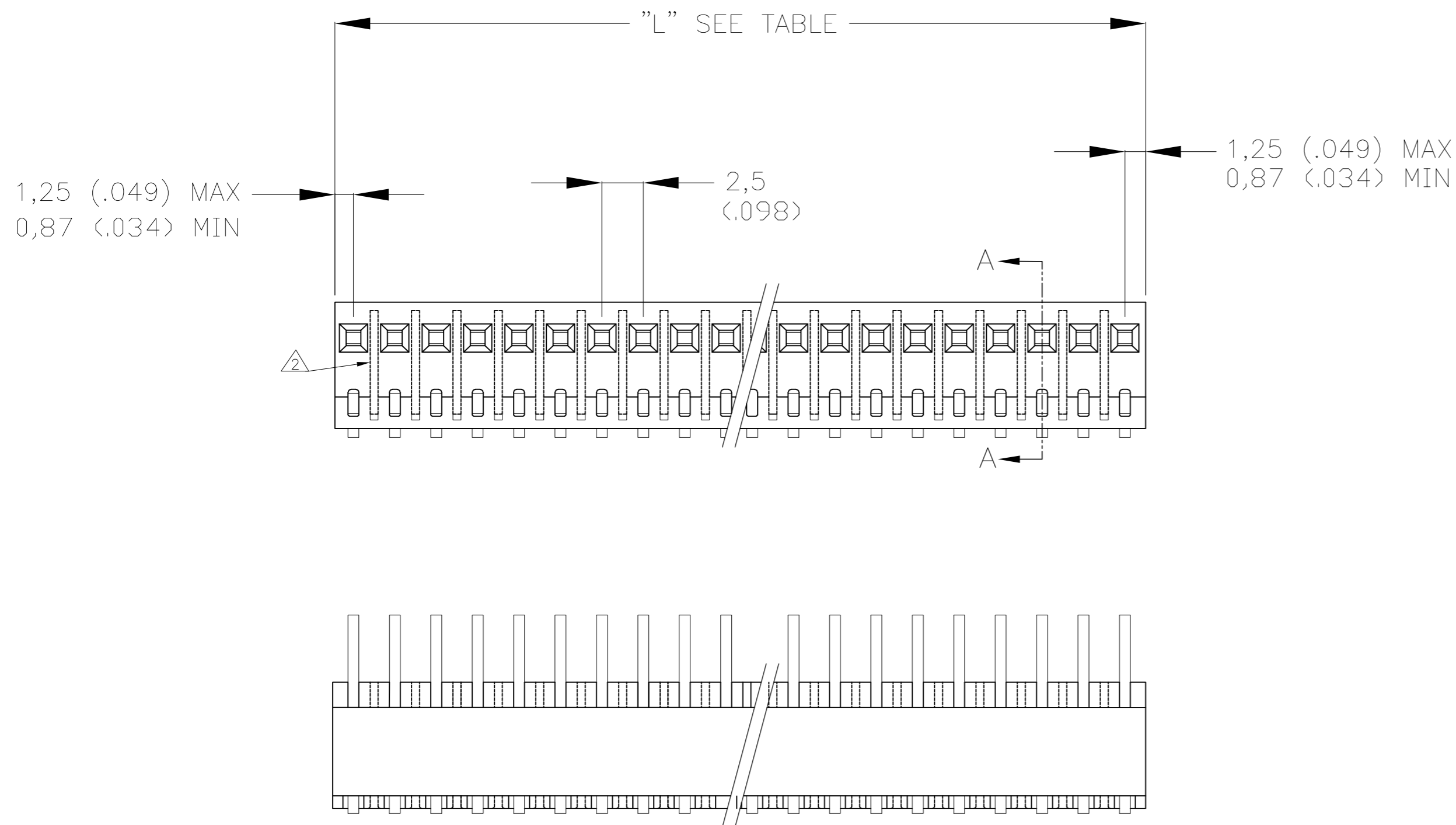
| LOC | | DIST | | REVISIONS | | | |
|-----|-----|-------------|--|---|-----------|------|----|
| P | LTR | DESCRIPTION | | DATE | DWN | APVD | |
| H | - | E | | HOUSING MATERIAL CHANGED TO CRASTIN SK643FR | 25APR2013 | SMT | RP |

D

C

B

A



SECTION A-A

NOTES:

- 1. PREFERRED HOLE SIZE: 0,8 (+0,1 / -0,0) (.031) 0,9 (+0,1 / -0,0) (.035) 1,0 (+0,1 / -0,0) (.039) DEPENDING ON NUMBER OF POSITIONS OF CONNECTOR FOR MORE INFORMATION PLEASE CONTACT PRODUT-ENGINEERING DEPARTMENT.
- 2. VERSIONS WITH OR WITHOUT SLOTS BETWEEN CAVITIES CAN BE USED INDIFFERENTLY
- 3. OBSOLETE

| "L" MAX | | NUMBER OF LOADED POS. | ORDER NO. |
|---------|----------|-----------------------|-------------------------|
| mm | (inches) | | |
| 7,6 | 0,300 | 3 | 163681-1 |
| 10,1 | 0,398 | 4 | 163681-2 |
| 12,6 | 0,497 | 5 | 163681-3 3 |
| 15,1 | 0,595 | 6 | 163681-4 3 |
| 17,6 | 0,694 | 7 | 163681-5 |
| 20,1 | 0,792 | 8 | 163681-6 |
| 22,6 | 0,890 | 9 | 163681-7 3 |
| 25,1 | 0,989 | 1 | 163681-8 3 |
| 27,6 | 1,087 | 11 | 163681-9 |
| 30,1 | 1,186 | 12 | 163681-1 3 |
| 32,6 | 1,284 | 13 | 163681-2 3 |
| 35,1 | 1,382 | 14 | 163681-3 3 |
| 37,6 | 1,481 | 15 | 163681-4 3 |
| 40,1 | 1,579 | 16 | 163681-5 3 |
| 42,6 | 1,678 | 17 | 163681-6 3 |
| 45,1 | 1,776 | 18 | 163681-7 3 |
| 47,6 | 1,875 | 19 | 163681-8 3 |
| 50,1 | 1,973 | 20 | 1-163681-9 |
| 52,6 | 2,071 | 21 | 2-163681-0 |
| 55,1 | 2,170 | 22 | 2-163681-1 |
| 57,6 | 2,268 | 23 | 2-163681-2 |
| 60,1 | 2,367 | 24 | 2-163681-3 3 |

163681

MATERIAL: HOUSING: GRAY CRASTIN SK643FR
 RECEPTACLES: BRASS: TIN PLATED OVER NICKEL-BARRIER

| | | | | |
|--|--|------------------|---|---------------|
| THIS DRAWING IS A CONTROLLED DOCUMENT. | | DWN 16-03-1973 | TE Connectivity | |
| | | CHK 19-03-1973 | | |
| DIMENSIONS: mm [INCHES] | TOLERANCES UNLESS OTHERWISE SPECIFIED: | APVD - | NAME | |
| 0 PLC ± - | 1 PLC ± - | PRODUCT SPEC | FEMALE CONN.FOR COMMERCIAL INTERCONNECTION SYSTEM 2,5mm PITCH. BOTTOM ENTRY | |
| 2 PLC ± - | 3 PLC ± - | APPLICATION SPEC | SIZE | CAGE CODE |
| 4 PLC ± - | ANGLES ± - | | A2 | 00779 |
| MATERIAL SEE TABLE | FINISH - | WEIGHT - | DRAWING NO | RESTRICTED TO |
| | | | C=163681 | - |
| | | CUSTOMER DRAWING | SCALE 4:1 | SHEET 1 OF 1 |
| | | | REV E | |

X-ON Electronics

Largest Supplier of Electrical and Electronic Components

Click to view similar products for [Board to Board & Mezzanine Connectors](#) category:

Click to view products by [TE Connectivity](#) manufacturer:

Other Similar products are found below :

[589158040000018](#) [MDF7C-18P-2.54DSA\(55\)](#) [FCN-230C068-11](#) [FCN-268F012-G/BD](#) [FCN-268F036-G/BD](#) [FCN-268M012-G/0D](#) [FCN-268M024-G/1D](#) [FCN-723J004/1](#) [MIS-048-01-F-D-DP-K](#) [832-10-034-10-001000](#) [FX4C-80S-1.27DSA](#) [FCN-214Q030-G/0](#) [FCN-234P048-G/0](#) [FCN-235D050-G/C](#) [210-93-314-41-105000](#) [2-22603-0](#) [MDF7-40DP-2.54DSA\(55\)](#) [AXG720047](#) [5031084030](#) [MIT-114-03-F-D-K](#) [55323-1519](#) [DF33-2P-3.3DSA\(24\)](#) [YFT-20-05-H-03-SB-K](#) [503308-3040](#) [026-6203-PDB](#) [027-6203-PDB](#) [069159702701000](#) [10123981-102LF](#) [101A10019X](#) [55650-0588-C](#) [68682-310LF](#) [68684-306](#) [75140-7012](#) [87471-650](#) [194261-1](#) [FCN-268F024-G0D](#) [10124054-515LF](#) [68685-603](#) [8-1616154-3](#) [MIS-019-01-F-D](#) [FCN-268M024-G/3D](#) [20021832-06016C1LF](#) [KX15-20KLDL-E1000E](#) [MDF7-16DP-2.54DSA\(55\)](#) [AXE810124](#) [FCN-214J100-G/0](#) [FCN-230C068-E/S](#) [AXE812124](#) [AXE816124](#) [AXE720127](#)