

THIS DRAWING IS UNPUBLISHED. RELEASED FOR PUBLICATION  
 © COPYRIGHT - By - ALL RIGHTS RESERVED.

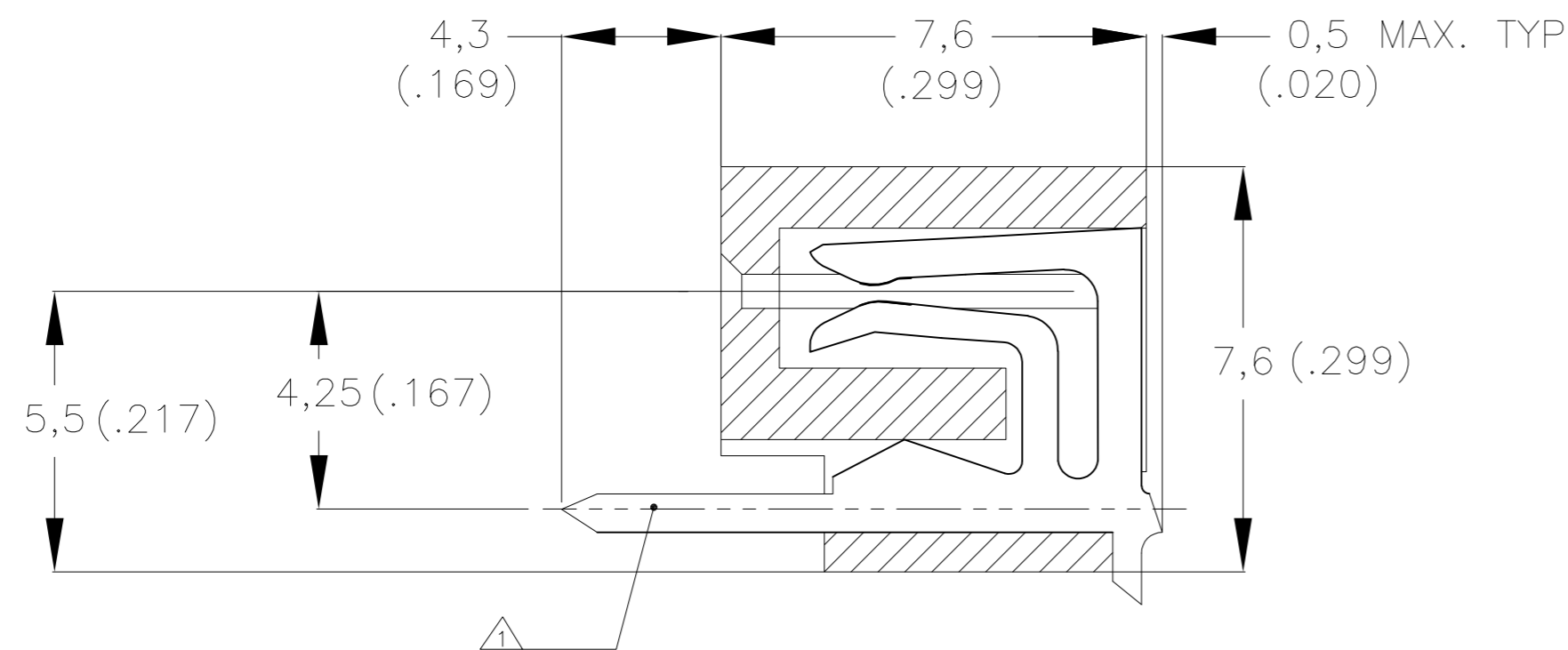
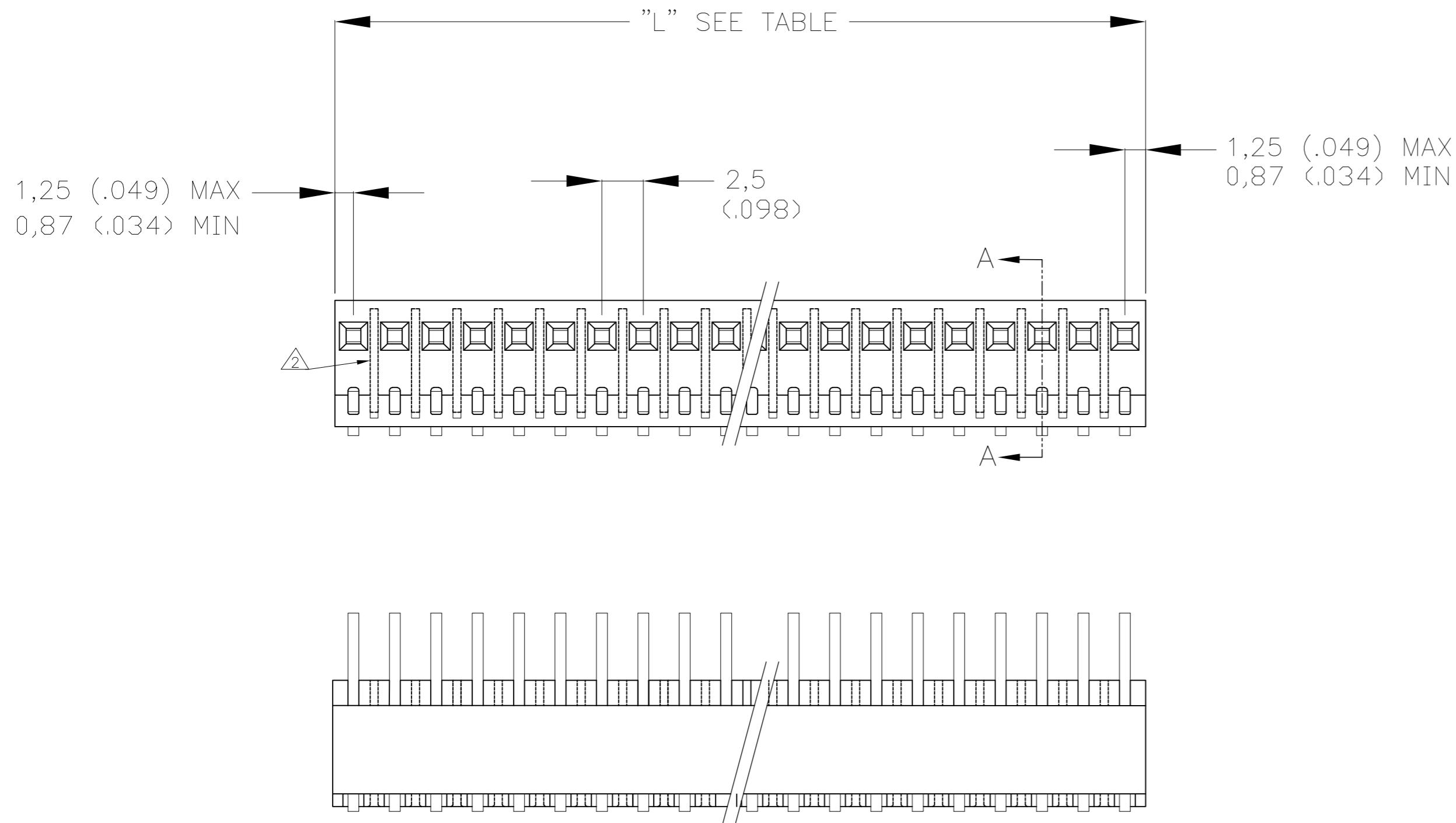
LOC		DIST		REVISIONS			
P	LTR	DESCRIPTION		DATE	DWN	APVD	
H	-	E		HOUSING MATERIAL CHANGED TO CRASTIN SK643FR	25APR2013	SMT	RP

D

C

B

A



SECTION A-A

NOTES:

- 1. PREFERRED HOLE SIZE: 0,8 (+0,1 / -0,0) (.031) 0,9 (+0,1 / -0,0) (.035) 1,0 (+0,1 / -0,0) (.039) DEPENDING ON NUMBER OF POSITIONS OF CONNECTOR FOR MORE INFORMATION PLEASE CONTACT PRODUT-ENGINEERING DEPARTMENT.
- 2. VERSIONS WITH OR WITHOUT SLOTS BETWEEN CAVITIES CAN BE USED INDIFFERENTLY
- 3. OBSOLETE

"L" MAX		NUMBER OF LOADED POS.	ORDER NO.
mm	(inches)		
7,6	0,300	3	163681-1
10,1	0,398	4	163681-2
12,6	0,497	5	<del>163681-3</del> 3
15,1	0,595	6	<del>163681-4</del> 3
17,6	0,694	7	163681-5
20,1	0,792	8	163681-6
22,6	0,890	9	<del>163681-7</del> 3
25,1	0,989	1	<del>163681-8</del> 3
27,6	1,087	11	163681-9
30,1	1,186	12	<del>163681-1</del> 3
32,6	1,284	13	<del>163681-2</del> 3
35,1	1,382	14	<del>163681-3</del> 3
37,6	1,481	15	<del>163681-4</del> 3
40,1	1,579	16	<del>163681-5</del> 3
42,6	1,678	17	<del>163681-6</del> 3
45,1	1,776	18	<del>163681-7</del> 3
47,6	1,875	19	<del>163681-8</del> 3
50,1	1,973	20	1-163681-9
52,6	2,071	21	2-163681-0
55,1	2,170	22	2-163681-1
57,6	2,268	23	2-163681-2
60,1	2,367	24	<del>2-163681-3</del> 3

163681

MATERIAL: HOUSING: GRAY CRASTIN SK643FR  
 RECEPTACLES: BRASS: TIN PLATED OVER NICKEL-BARRIER

THIS DRAWING IS A CONTROLLED DOCUMENT.		DWN 16-03-1973	<b>STE</b> TE Connectivity
		CHK 19-03-1973	
DIMENSIONS: mm [INCHES]	TOLERANCES UNLESS OTHERWISE SPECIFIED:	APVD -	NAME
	0 PLC ± -	PRODUCT SPEC	FEMALE CONN.FOR COMMERCIAL INTERCONNECTION SYSTEM 2,5mm PITCH. BOTTOM ENTRY
	1 PLC ± -	APPLICATION SPEC	
	2 PLC ± -		SIZE CAGE CODE DRAWING NO
	3 PLC ± -		A2 00779 C=163681
	4 PLC ± -		RESTRICTED TO
	ANGLES ± -		
MATERIAL SEE TABLE	FINISH -	WEIGHT -	SCALE 4:1 SHEET 1 OF 1 REV E
		CUSTOMER DRAWING	

## X-ON Electronics

Largest Supplier of Electrical and Electronic Components

*Click to view similar products for [Board to Board & Mezzanine Connectors](#) category:*

*Click to view products by [TE Connectivity](#) manufacturer:*

Other Similar products are found below :

[589158040000018](#) [MDF7C-18P-2.54DSA\(55\)](#) [FCN-230C068-11](#) [FCN-268F012-G/BD](#) [FCN-268F036-G/BD](#) [FCN-268M012-G/0D](#) [FCN-268M024-G/1D](#) [FCN-723J004/1](#) [MIS-048-01-F-D-DP-K](#) [832-10-034-10-001000](#) [FX4C-80S-1.27DSA](#) [FCN-214Q030-G/0](#) [FCN-234P048-G/0](#) [FCN-235D050-G/C](#) [210-93-314-41-105000](#) [2-22603-0](#) [MDF7-40DP-2.54DSA\(55\)](#) [AXG720047](#) [5031084030](#) [MIT-114-03-F-D-K](#) [55323-1519](#) [DF33-2P-3.3DSA\(24\)](#) [YFT-20-05-H-03-SB-K](#) [503308-3040](#) [026-6203-PDB](#) [027-6203-PDB](#) [069159702701000](#) [10123981-102LF](#) [101A10019X](#) [55650-0588-C](#) [68682-310LF](#) [68684-306](#) [75140-7012](#) [87471-650](#) [194261-1](#) [FCN-268F024-G0D](#) [10124054-515LF](#) [68685-603](#) [8-1616154-3](#) [MIS-019-01-F-D](#) [FCN-268M024-G/3D](#) [20021832-06016C1LF](#) [KX15-20KLDL-E1000E](#) [MDF7-16DP-2.54DSA\(55\)](#) [AXE810124](#) [FCN-214J100-G/0](#) [FCN-230C068-E/S](#) [AXE812124](#) [AXE816124](#) [AXE720127](#)