

THIS DRAWING IS UNPUBLISHED. RELEASED FOR PUBLICATION  
 © COPYRIGHT - By - ALL RIGHTS RESERVED.

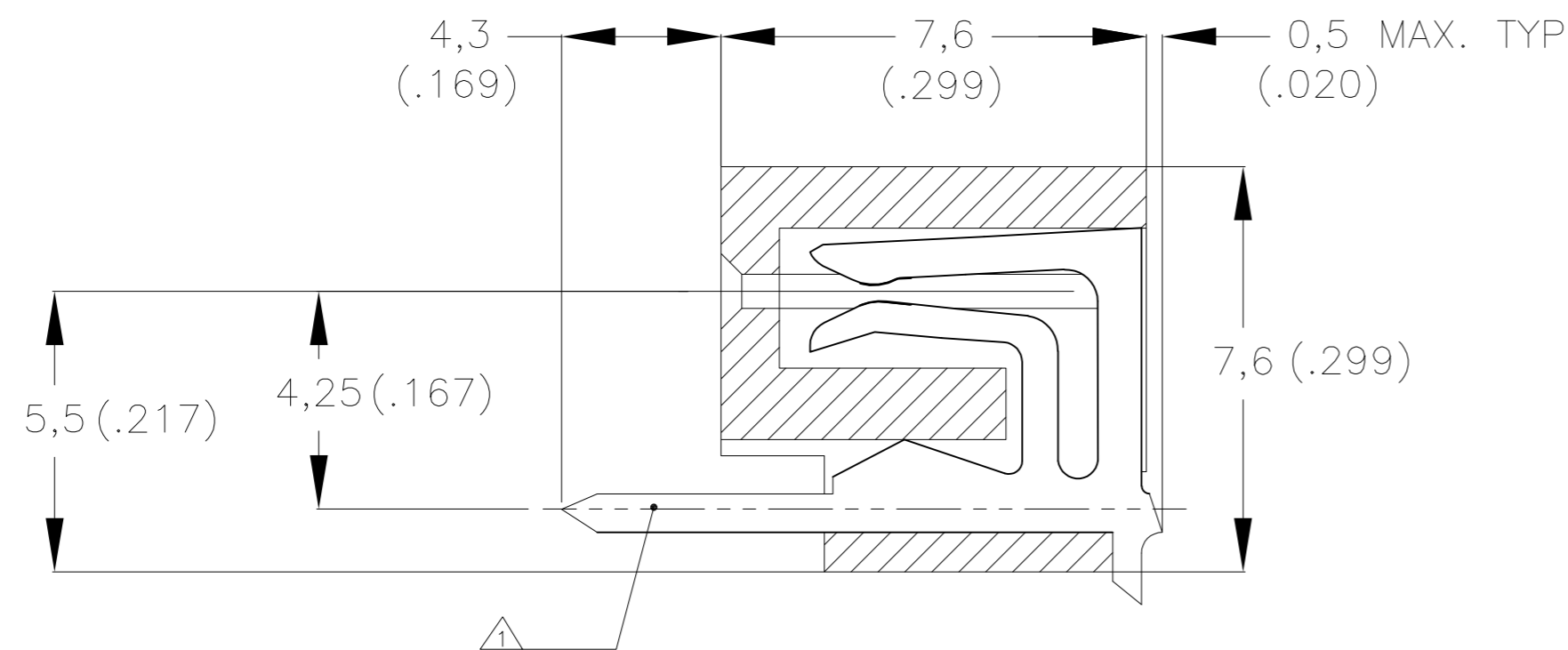
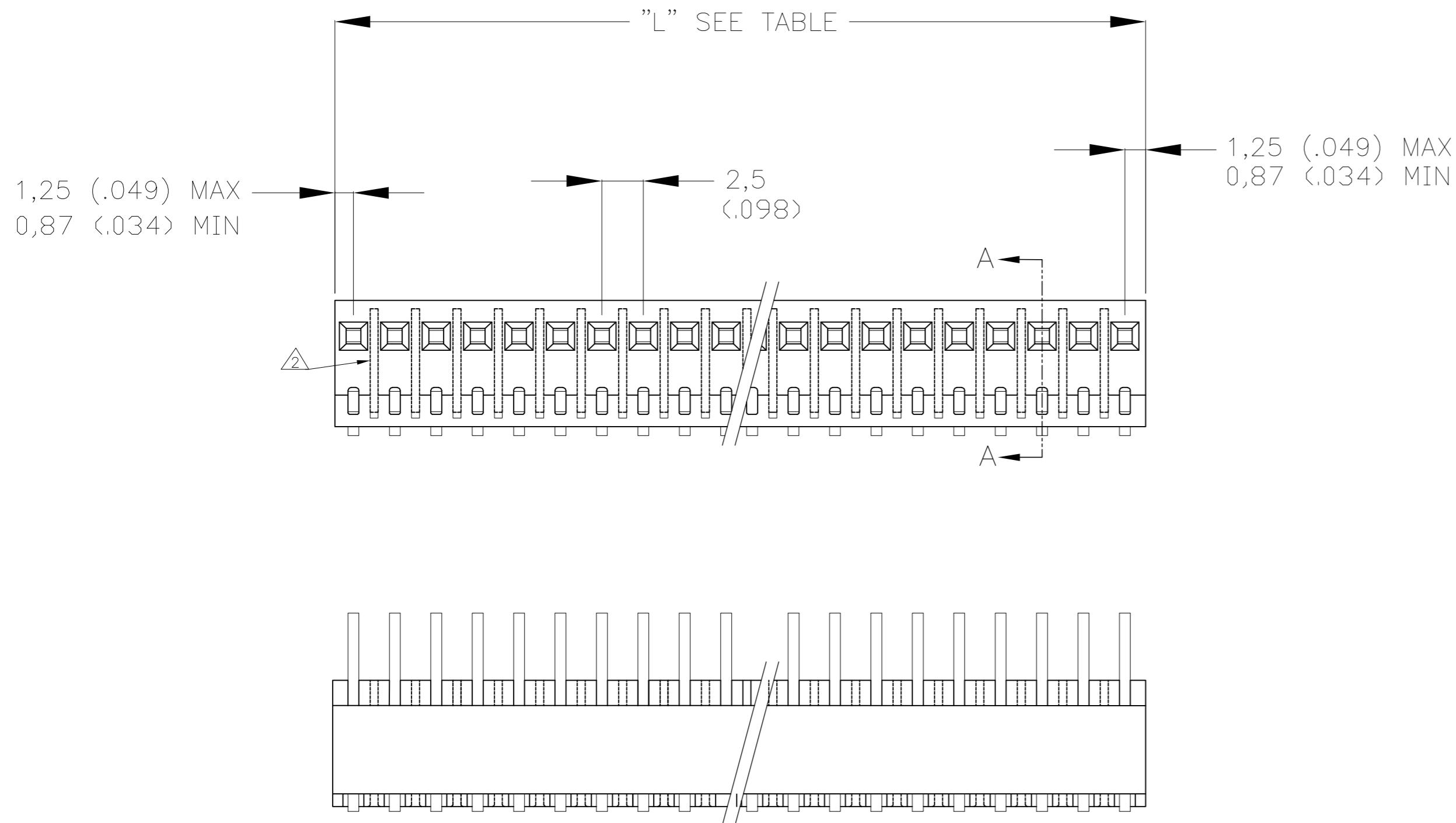
LOC		DIST		REVISIONS			
P	LTR	DESCRIPTION	DATE	DWN	APVD		
H	-	E	HOUSING MATERIAL CHANGED TO CRASTIN SK643FR	25APR2013	SMT	RP	

D

C

B

A



SECTION A-A

NOTES:

- 1. PREFERRED HOLE SIZE: 0,8 (+0,1 / -0,0) (.031) 0,9 (+0,1 / -0,0) (.035) 1,0 (+0,1 / -0,0) (.039) DEPENDING ON NUMBER OF POSITIONS OF CONNECTOR FOR MORE INFORMATION PLEASE CONTACT PRODUT-ENGINEERING DEPARTMENT.
- 2. VERSIONS WITH OR WITHOUT SLOTS BETWEEN CAVITIES CAN BE USED INDIFFERENTLY
- 3. OBSOLETE

"L" MAX		NUMBER OF LOADED POS.	ORDER NO.
mm	(inches)		
7,6	0,300	3	163681-1
10,1	0,398	4	163681-2
12,6	0,497	5	<del>163681-3</del> 3
15,1	0,595	6	<del>163681-4</del> 3
17,6	0,694	7	163681-5
20,1	0,792	8	163681-6
22,6	0,890	9	<del>163681-7</del> 3
25,1	0,989	1	<del>163681-8</del> 3
27,6	1,087	11	163681-9
30,1	1,186	12	<del>163681-1</del> 3
32,6	1,284	13	<del>163681-2</del> 3
35,1	1,382	14	<del>163681-3</del> 3
37,6	1,481	15	<del>163681-4</del> 3
40,1	1,579	16	<del>163681-5</del> 3
42,6	1,678	17	<del>163681-6</del> 3
45,1	1,776	18	<del>163681-7</del> 3
47,6	1,875	19	<del>163681-8</del> 3
50,1	1,973	20	1-163681-9
52,6	2,071	21	2-163681-0
55,1	2,170	22	2-163681-1
57,6	2,268	23	2-163681-2
60,1	2,367	24	<del>2-163681-3</del> 3

163681

MATERIAL: HOUSING: GRAY CRASTIN SK643FR  
 RECEPTACLES: BRASS: TIN PLATED OVER NICKEL-BARRIER

THIS DRAWING IS A CONTROLLED DOCUMENT.		DWN	16-03-1973	 TE Connectivity	FEMALE CONN.FOR COMMERCIAL INTERCONNECTION SYSTEM 2,5mm PITCH. BOTTOM ENTRY
DIMENSIONS: mm [INCHES]		CHK	19-03-1973		
TOLERANCES UNLESS OTHERWISE SPECIFIED:		APVD	-		
0 PLC ± - 1 PLC ± - 2 PLC ± - 3 PLC ± - 4 PLC ± - ANGLES ± -		PRODUCT SPEC	-		
MATERIAL	SEE TABLE	FINISH	-	SIZE	A2
		WEIGHT	-	CAGE CODE	00779
		CUSTOMER DRAWING		DRAWING NO	C=163681
		SCALE	4:1	RESTRICTED TO	-
		SHEET	1 of 1	REV	E

## X-ON Electronics

Largest Supplier of Electrical and Electronic Components

*Click to view similar products for te connectivity manufacturer:*

Other Similar products are found below :

[570416-000](#) [CLTEQ-M81CE-SSRELAY-4-20V](#) [D38999/24FJ4AN](#) [358838-000](#) [4-1195131-0](#) [650069-000](#) [SMD100-2](#) [CB-1022B-78](#)  
[RM707012](#) [RP410012](#) [MMS42](#) [1-640426-8](#) [2EDL4CM](#) [DTS20W19-11PD-3028-LC](#) [RM202615](#) [NC6-P104-06](#) [MSPS103B](#) [DTS26F21-41AE](#) [DTS26F21-41PE-LC](#) [DTS26F21-11SE-3028-LC](#) [1932144-1](#) [293545-4](#) [LVR125S](#) [MS27466T25F4PB](#) [CKB-38-78010](#)  
[1206SFF150F/63-2](#) [D38999/20JB35HA](#) [D38999/24WJ20PA](#) [1754138-1](#) [TE1500A2R2J](#) [DTS24F25-29PC-3028-LC](#) [D38999/24WG11HA](#)  
[D38999/24WG11HN](#) [MS27467T21F11H](#) [DJT16E21-11HA](#) [1206SFH150F/24-2](#) [DTS24F19-11SC-3028-LC](#) [DTS24F21-41HN-LC](#)  
[DTS24F21-41AN](#) [DTS24F21-41PN-LC](#) [MS27467T21F35J](#) [MS27467T21F11J](#) [MS27467T21F16H-LC](#) [MS27467T21F35H](#)  
[MS27467T21F41H-LC](#) [DJT16E21-11PA-LC](#) [DJT16E21-11HA-LC](#) [DJT16E21-11AA](#) [MS27467T21B11JA](#) [DJT16E21-11JA](#)