

THIS DRAWING IS UNPUBLISHED. RELEASED FOR PUBLICATION  
 © COPYRIGHT - By - ALL RIGHTS RESERVED.

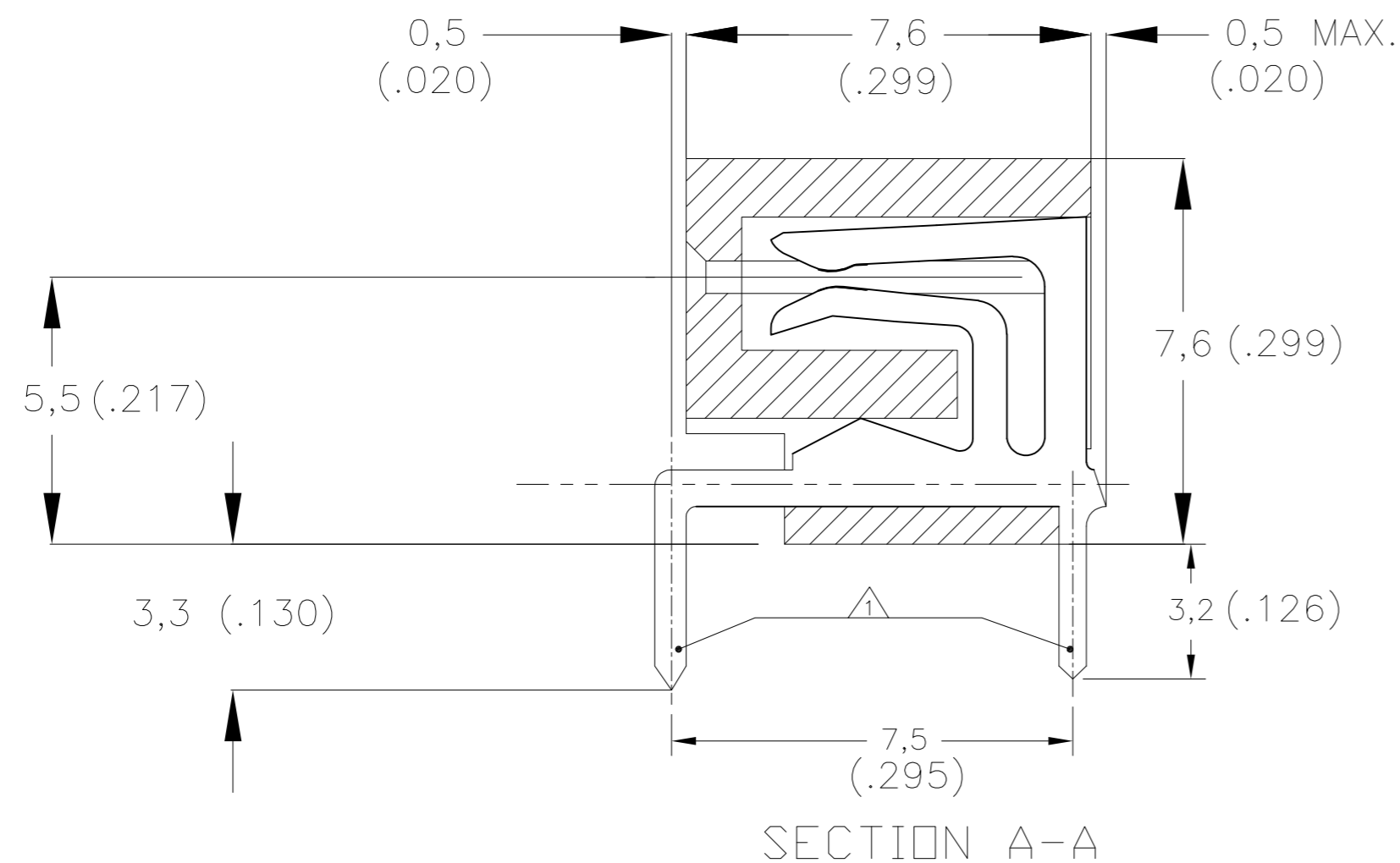
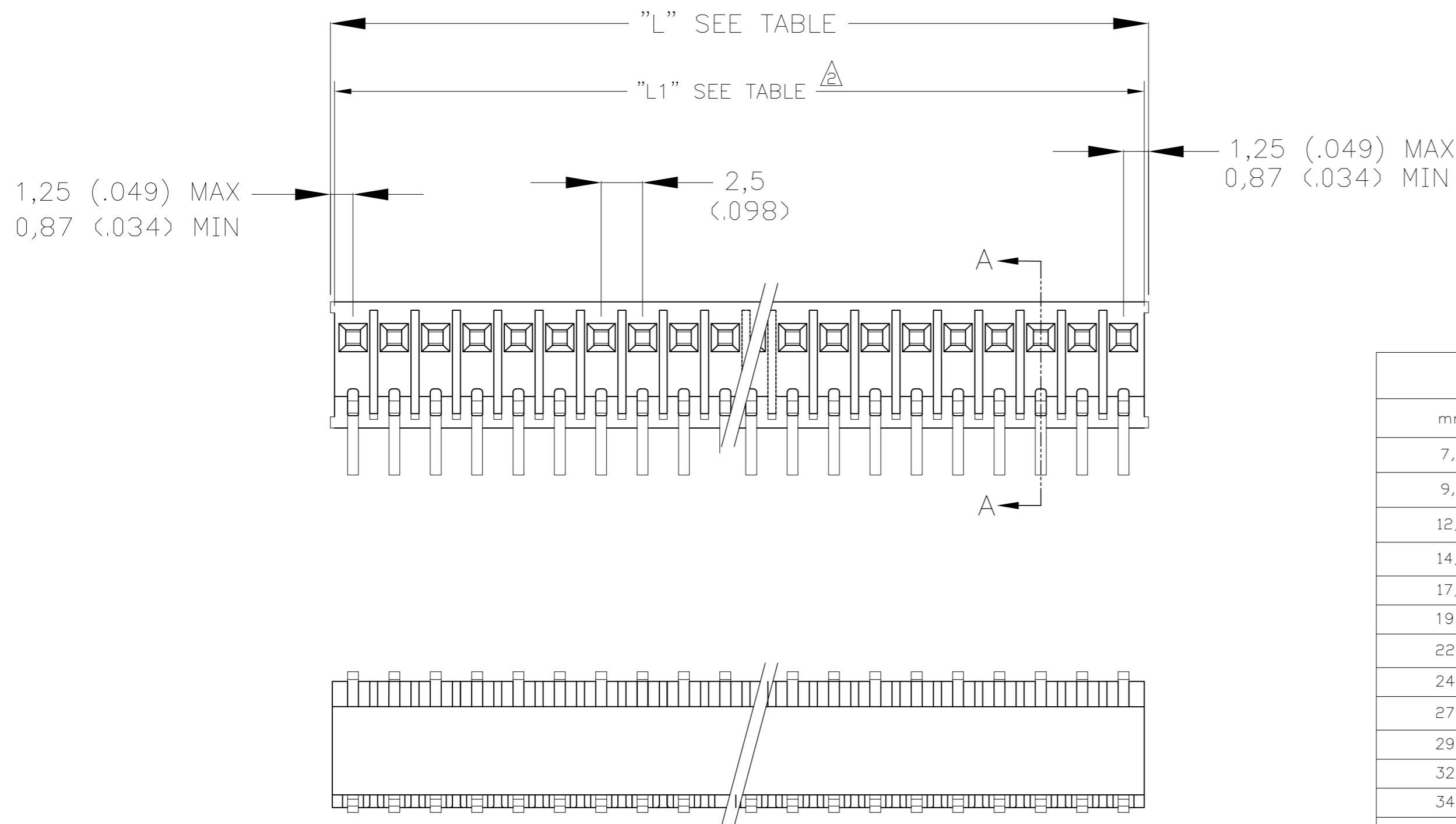
LOC		DIST		REVISIONS			
P	LTR	DESCRIPTION		DATE	DWN	APVD	
H	-	H	H	HOUSING MATERIAL CHANGED TO CRASTIN SK643FR	25APR2013	SMT	RP

D

C

B

A



NOTES:

- △1 PREFERRED HOLE SIZE: 0,8 (+0,1 / -0,0) (.031) 0,9 (+0,1 / -0,0) (.035) 1,0 (+0,1 / -0,0) (.039) DEPENDING ON NUMBER OF POSITIONS OF CONNECTOR FOR MORE INFORMATION PLEASE CONTACT PRODUT-ENGINEERING DEPARTMENT.
- △2 ONLY FOR USE WITH G.M.T.S HEADERS
- △3 OBSOLETE

"L1" MAX. △2		"L" MAX		NUMBER OF LOADED POS.	ORDER NO.
mm	(inches)	mm	(inches)		
7,3	0,287	7,6	0,300	3	163683-1
9,8	0,386	10,1	0,398	4	<del>163683-2</del> △3
12,3	0,484	12,6	0,497	5	<del>163683-3</del> △3
14,8	0,582	15,1	0,595	6	163683-4
17,3	0,681	17,6	0,694	7	<del>163683-5</del> △3
19,8	0,779	20,1	0,792	8	<del>163683-6</del> △3
22,3	0,878	22,6	0,890	9	163683-7
24,3	0,976	25,1	0,989	1	163683-8
27,8	1,075	27,6	1,087	11	<del>163683-9</del> △3
29,8	1,173	30,1	1,186	12	<del>163683-1</del> △3
32,3	1,271	32,6	1,284	13	<del>163683-2</del> △3
34,8	1,370	35,1	1,382	14	<del>163683-3</del> △3
37,3	1,468	37,6	1,481	15	<del>163683-4</del> △3
39,8	1,567	40,1	1,579	16	<del>163683-5</del> △3
42,3	1,665	42,6	1,678	17	<del>163683-6</del> △3
44,8	1,764	45,1	1,776	18	<del>163683-7</del> △3
47,3	1,862	47,6	1,875	19	<del>163683-8</del> △3
49,8	1,960	50,1	1,973	20	<del>163683-9</del> △3
		52,6	2,071	21	<del>2=163683-0</del> △3
		55,1	2,170	22	<del>2=163683-1</del> △3
		57,6	2,268	23	<del>2=163683-2</del> △3
		60,1	2,367	24	<del>2=163683-3</del> △3

163683

MATERIAL: HOUSING: GRAY CRASTIN SK643FR  
 RECEPTACLES: BRASS; TINPLATED OVER NICKEL-BARRIER

THIS DRAWING IS A CONTROLLED DOCUMENT.		DWN	16-03-1973	 TE Connectivity FEMALE CONN.FOR COMMERCIAL INTERCONNECTION SYSTEM 2,5mm PITCH. SIDE ENTRY
DIMENSIONS: mm [INCHES]		CHK	19-03-1973	
TOLERANCES UNLESS OTHERWISE SPECIFIED:		APVD	-	
0 PLC ± - 1 PLC ± 0.2 2 PLC ± 0.1 3 PLC ± - 4 PLC ± - ANGLES ± - FINISH -		PRODUCT SPEC	-	
MATERIAL: SEE TABLE		APPLICATION SPEC	-	NAME
		WEIGHT	-	SIZE
		CUSTOMER DRAWING	-	CAGE CODE
		SCALE	4:1	DRAWING NO
		SHEET	1 OF 1	RESTRICTED TO
		REV	H	

## X-ON Electronics

Largest Supplier of Electrical and Electronic Components

*Click to view similar products for [Board to Board & Mezzanine Connectors](#) category:*

*Click to view products by [TE Connectivity](#) manufacturer:*

Other Similar products are found below :

[589158040000018](#) [MDF7C-18P-2.54DSA\(55\)](#) [FCN-230C068-11](#) [FCN-268F012-G/BD](#) [FCN-268F036-G/BD](#) [FCN-268M012-G/0D](#) [FCN-268M024-G/1D](#) [FCN-723J004/1](#) [MIS-048-01-F-D-DP-K](#) [832-10-034-10-001000](#) [FX4C-80S-1.27DSA](#) [FCN-214Q030-G/0](#) [FCN-234P048-G/0](#) [FCN-235D050-G/C](#) [210-93-314-41-105000](#) [2-22603-0](#) [MDF7-40DP-2.54DSA\(55\)](#) [AXG720047](#) [5031084030](#) [MIT-114-03-F-D-K](#) [55323-1519](#) [DF33-2P-3.3DSA\(24\)](#) [YFT-20-05-H-03-SB-K](#) [503308-3040](#) [026-6203-PDB](#) [027-6203-PDB](#) [069159702701000](#) [10123981-102LF](#) [101A10019X](#) [55650-0588-C](#) [68682-310LF](#) [68684-306](#) [75140-7012](#) [87471-650](#) [194261-1](#) [FCN-268F024-G0D](#) [10124054-515LF](#) [68685-603](#) [8-1616154-3](#) [MIS-019-01-F-D](#) [FCN-268M024-G/3D](#) [20021832-06016C1LF](#) [KX15-20KLDL-E1000E](#) [MDF7-16DP-2.54DSA\(55\)](#) [AXE810124](#) [FCN-214J100-G/0](#) [FCN-230C068-E/S](#) [AXE812124](#) [AXE816124](#) [AXE720127](#)