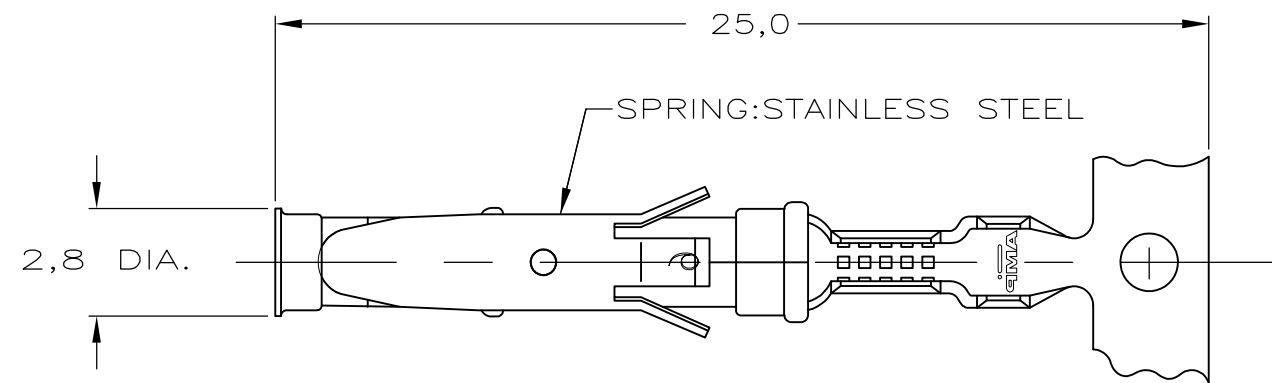
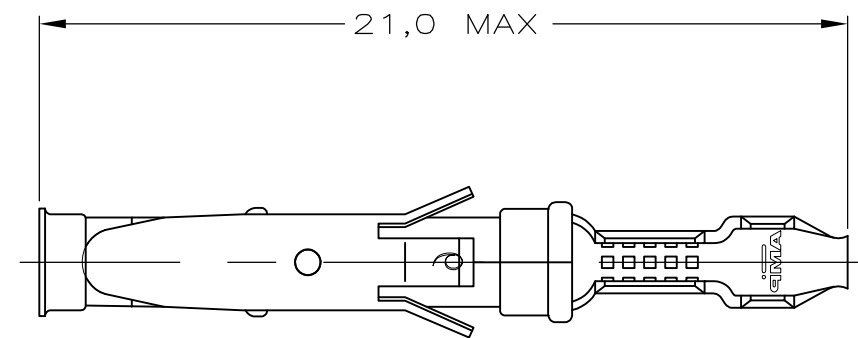


THIS DRAWING IS UNPUBLISHED. RELEASED FOR PUBLICATION
 © COPYRIGHT - By - ALL RIGHTS RESERVED.

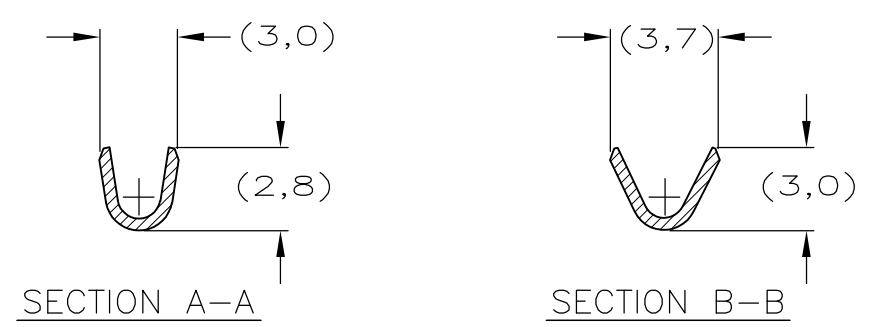
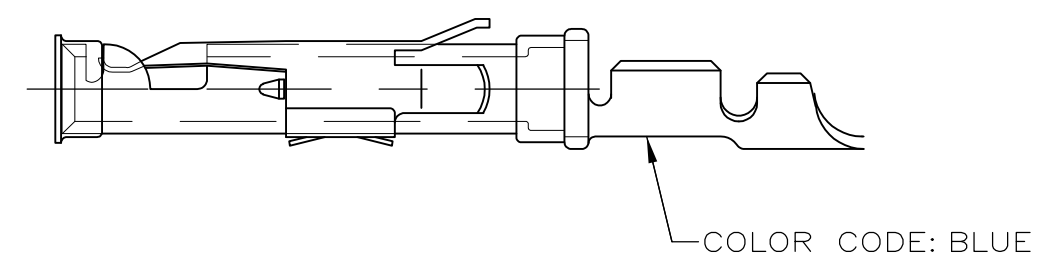
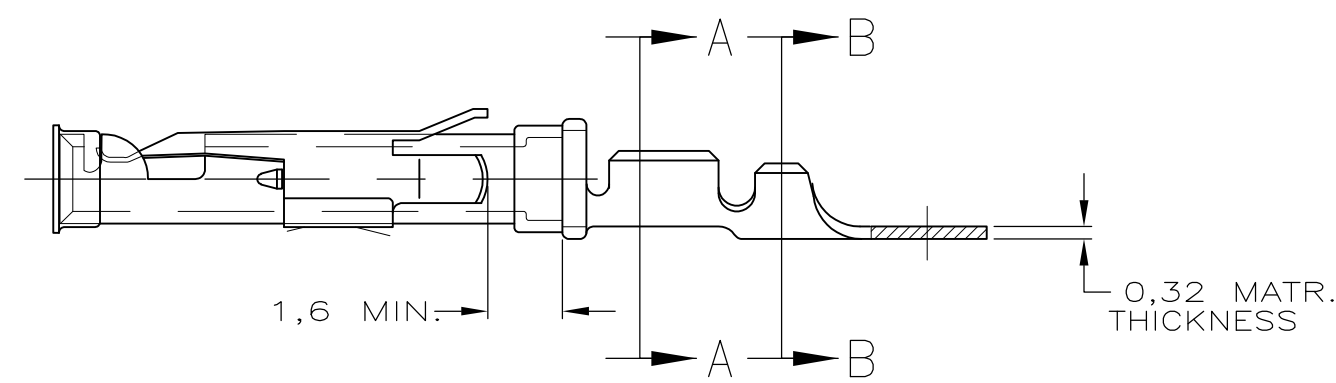
LOC	DIST	REVISIONS					
		P	LTR	DESCRIPTION	DATE	DWN	APVD
-	-	F2		ADDITION OF NOTE 4, TEXT "MAX" TO DIM 21.0 IN ZONE D2 AND TEXT "REF" DIM 3.0, 2.8, 3.7, & 3.0 IN ZONE B4 & B3.	21JULY2015	TJ	PS



STRIP



LOOSE-PIECE

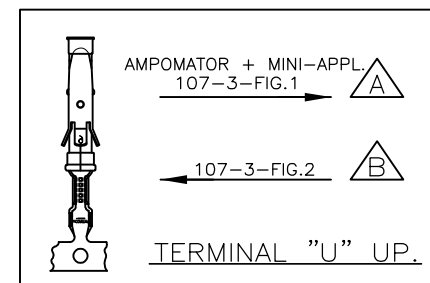


NOTES :

- 1 FOR CRIMP DETAILS SEE SPEC. 114-19000
- 2 MEETS PRODUCT SPECIFICATION 108-10042
- 3 OBSOLETE PARTS: OBSOLETE CIS STREAMLINING PER D.RENAUD/D.SINISI
- 4 OMISSION OF 6 CONTACTS MAX PER REEL OF 5000PCS

WIRE RANGE : 0,75-1,50 mm² (18-16 AWG)
 INSUL. RANGE : 2,0 -2,5 mm (.080-.100)

OBSOLETE	3	PART NUMBER	DIRECTION OF REEL	LOOSE-PIECE	MATERIAL	PLATING
	A	163767-6			PH.BRONZE	SILVER
	A	163767-5			PH.BRONZE	SEL.GOLD
	A	163767-4			PH.BRONZE	EL.TIN
OBSOLETE	3	163767-3	B	164840-3	PH.BRONZE	SILVER
OBSOLETE		163767-2	B	164840-2	PH.BRONZE	SEL.GOLD
OBSOLETE		163767-1	B	164840-1	PH.BRONZE	EL.TIN



NOTES	MATERIAL	THICKNESS	AREA
20	TIN	2,0 μm	ALL OVER
21	NICKEL GOLD TIN	0,8 μm	ALL OVER CONTACT AREA BARREL
22	NICKEL GOLD GOLD	0,8 μm	ALL OVER CONTACT AREA ALL OVER
23	NICKEL GOLD GOLD	1,2 μm	ALL OVER CONTACT AREA ALL OVER
27	NICKEL SILVER TIN	2,5 μm	ALL OVER CONTACT AREA BARREL
28	SILVER	0,5 μm	ALL OVER
29	SILVER	2,5 μm	ALL OVER

THIS DRAWING IS A CONTROLLED DOCUMENT.
 DIMENSIONS: mm
 TOLERANCES UNLESS OTHERWISE SPECIFIED:
 0 PLC ± -
 1 PLC ± -
 2 PLC ± -
 3 PLC ± -
 4 PLC ANGLES ± -
 MATERIAL REFER TABLE
 FINISH REFER TABLE

DWN L.V.D.HEYDEN 19.08.1987
 CHK P.V.D.HAGEN
 APVD L.V.SOEST
 PRODUCT SPEC 108-10042
 APPLICATION SPEC 114-19000
 WEIGHT -
 CUSTOMER DRAWING

STE TE Connectivity

TYPE III+, SIZE 16, SOCKET ASS'Y,
 18-16 AWG, 2.0-2.5mm DIA INSULATION

SIZE	CAGE CODE	DRAWING NO	RESTRICTED TO
A3	00779	C-163767	-

SCALE - SHEET 1 OF 1 REV F2

X-ON Electronics

Largest Supplier of Electrical and Electronic Components

Click to view similar products for [Pin & Socket Connectors](#) category:

Click to view products by [TE Connectivity](#) manufacturer:

Other Similar products are found below :

[6450822-1](#) [770392-1](#) [794042-1](#) [796885-1](#) [8-794535-1](#) [881459-2](#) [R929993003](#) [1-350779-3](#) [1403611-1](#) [1-480349-5](#) [1586092-1](#) [1586129-1](#)
[1586487-1](#) [1586681-4](#) [1586700-1](#) [1586065-1](#) [1586077-1](#) [1586368-1](#) [1586380-1](#) [1586680-5](#) [1586681-2](#) [1604996-1](#) [16-06-0038](#) [164164-5](#) [1-](#)
[6609930-1](#) [172296-1](#) [1-794714-6](#) [19-09-2035](#) [1969804-1](#) [200503-1](#) [200788-2](#) [201046-7](#) [202648-4](#) [2029076-2](#) [2029090-4](#) [2029095-4](#) [2-](#)
[66102-6](#) [925061-7](#) [926681-1](#) [293734-4](#) [293737-2](#) [1-765362-4](#) [1-794606-3](#) [1871534-1](#) [1969795-1](#) [1969798-1](#) [1969800-1](#) [200833-4](#)
[2008625-2](#) [2029027-2](#)