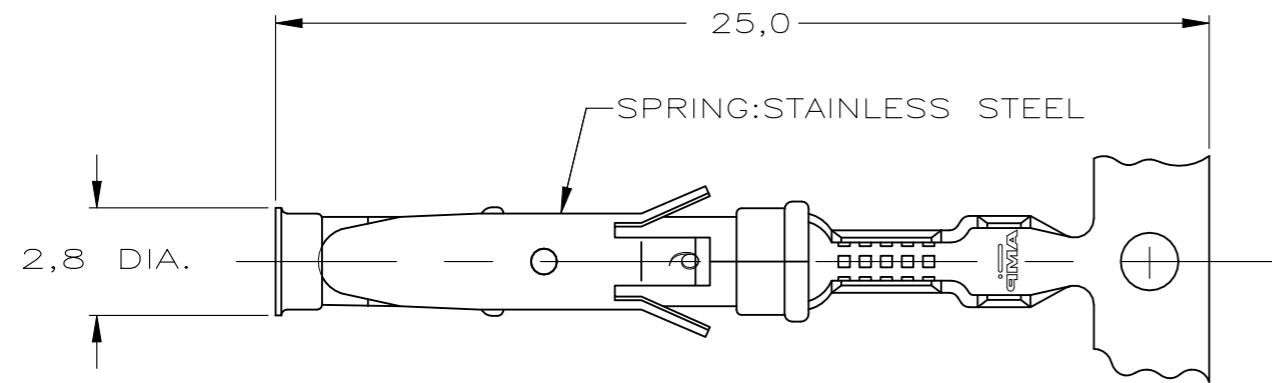
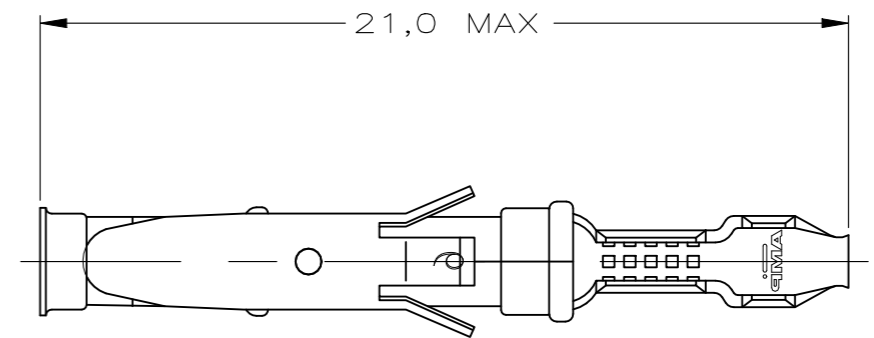


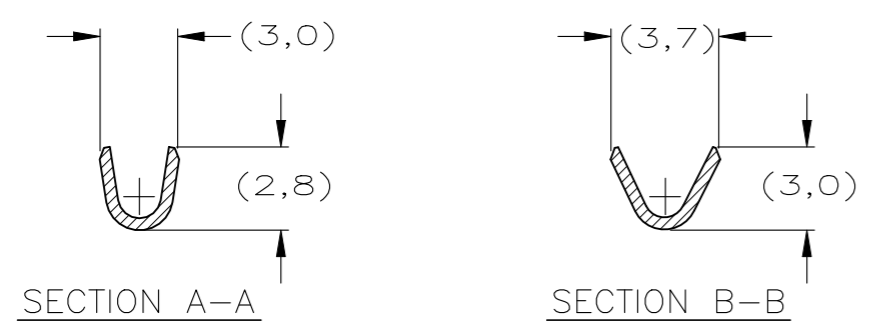
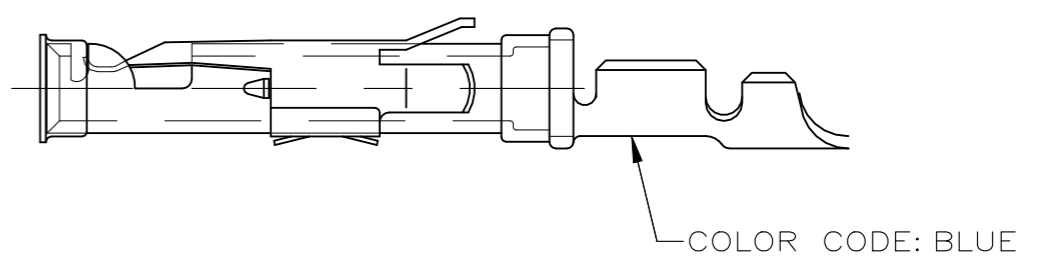
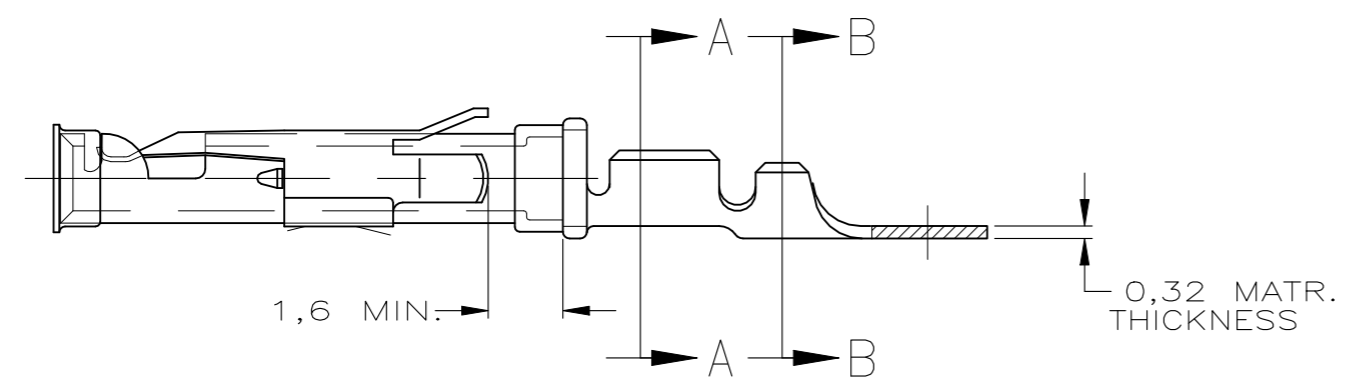
REVISIONS					
P	LTR	DESCRIPTION	DATE	DWN	APVD
	G	ECO-21-006957	25JUN2021	RK	MZ



STRIP



LOOSE-PIECE

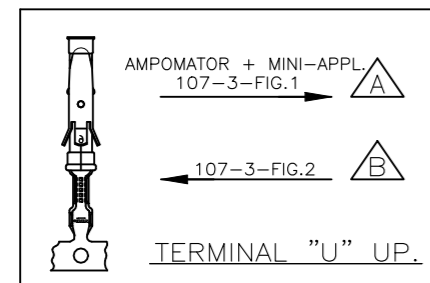


NOTES :

- 1 FOR CRIMP DETAILS SEE SPEC. 114-19000
- 2 MEETS PRODUCT SPECIFICATION 108-10042
- 3 OBSOLETE PARTS: OBSOLETE CIS STREAMLINING PER D.RENAUD/D.SINISI
- 4 OMISSION OF 6 CONTACTS MAX PER REEL OF 5000PCS

WIRE RANGE : 0,75-1,50 mm<sup>2</sup> (18-16 AWG)  
 INSUL. RANGE : 2,0 -2,5 mm (.080-.100)

OBSOLETE	3	163767-6	A		PH.BRONZE	SILVER	28
		163767-5	A	164840-2	PH.BRONZE	SEL.GOLD	22
		163767-4	A		PH.BRONZE	EL.TIN	20
OBSOLETE	3	163767-3	B	164840-3	PH.BRONZE	SILVER	28
OBSOLETE		163767-2	B		PH.BRONZE	SEL.GOLD	22
OBSOLETE		163767-1	B	164840-1	PH.BRONZE	EL.TIN	20
		PART NUMBER	DIRECTION OF REEL	LOOSE-PIECE	MATERIAL	PLATING	



NOTES	MATERIAL	THICKNESS	AREA
20	TIN	2,0 μm	ALL OVER
21	NICKEL GOLD TIN	0,8 μm	ALL OVER CONTACT AREA BARREL
22	NICKEL GOLD TIN	1,27 μm .76 μm 1,01 μm	ALL OVER CONTACT AREA BARREL
23	NICKEL GOLD	1,2 μm	ALL OVER CONTACT AREA BARREL
27	NICKEL SILVER TIN	2,5 μm	ALL OVER CONTACT AREA BARREL
28	SILVER	0,5 μm	ALL OVER
29	SILVER	2,5 μm	ALL OVER

THIS DRAWING IS A CONTROLLED DOCUMENT.

DIMENSIONS:	TOLERANCES UNLESS OTHERWISE SPECIFIED:
mm	
	0 PLC ± -
	1 PLC ± -
	2 PLC ± -
	3 PLC ± -
	4 PLC ± -
	ANGLES ± -
MATERIAL	FINISH
REFER TABLE	REFER TABLE

DWN	19.08.1987
L.V.D.HEYDEN	
CHK	-
P.V.D.HAGEN	
APVD	-
L.V.SOEST	
PRODUCT SPEC	
108-10042	
APPLICATION SPEC	
114-19000	
WEIGHT	-
CUSTOMER DRAWING	



TYPE III+, SIZE 16, SOCKET ASS'Y, 18-16 AWG, 2.0-2.5mm DIA INSULATION

SIZE	CAGE CODE	DRAWING NO	RESTRICTED TO
A3	00779	C-163767	-
SCALE	-	SHEET	1 OF 1
REV	G		

## X-ON Electronics

Largest Supplier of Electrical and Electronic Components

*Click to view similar products for [Heavy Duty Power Connectors](#) category:*

*Click to view products by [TE Connectivity](#) manufacturer:*

Other Similar products are found below :

[647757-1](#) [6643411-1](#) [6646058-2](#) [6646137-1](#) [6646138-1](#) [6646479-1](#) [6646608-1](#) [6646786-1](#) [6646940-1](#) [6651091-1](#) [6651525-1](#) [6651529-1](#)  
[6651788-1](#) [696475-1](#) [702-32-01109](#) [703-25-02205](#) [73000005059](#) [73000005642](#) [73080255059](#) [73080965046](#) [765-15-0080A](#) [765-16-0080B](#)  
[765-18-0080D](#) [829992-1](#) [902-77-02113](#) [PS00/A0620/6300](#) [PS25/A0420/63](#) [129-1J](#) [1409400](#) [AN0024023](#) [E6374G1](#) [e6389g2](#) [157-43GW8](#)  
[MS3117-14AC](#) [1643543-1](#) [1650540-1](#) [1651811-2](#) [1766260-1](#) [1766282-1](#) [1766966-1](#) [1791340000](#) [NLDFT-3-BL-L-S120-M40A](#) [NLDFT-N-](#)  
[W-L-C240-M40B](#) [NLS-2-R-C240-M40B](#) [NLS-N-W-C240-M40B](#) [NPS-3-BL-T6](#) [1986615-1](#) [2-1589900-8](#) [2199314-1](#) [KA8102](#)