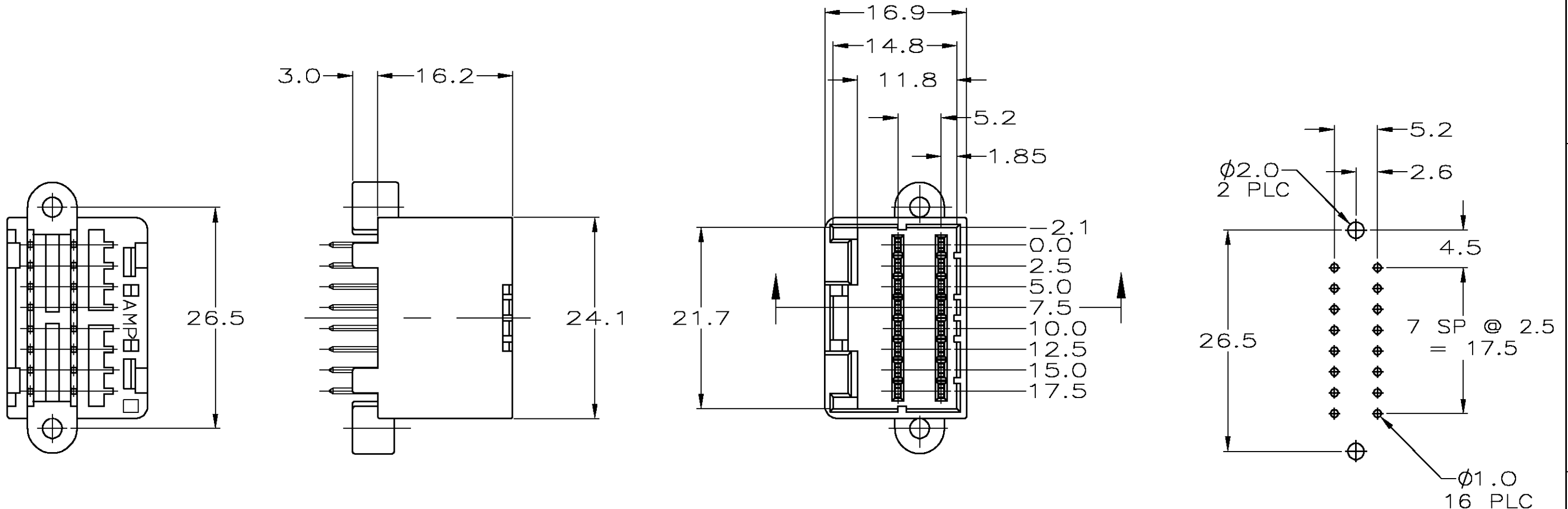


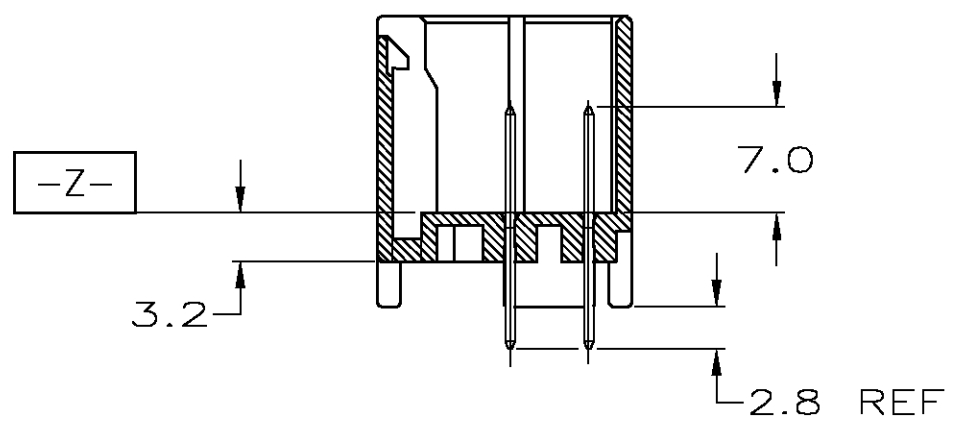
THIS DRAWING IS UNPUBLISHED. RELEASED FOR PUBLICATION
 © COPYRIGHT - BY TYCO ELECTRONICS CORPORATION. ALL RIGHTS RESERVED.

LOC	DIST	REVISIONS					
FX	55	P	LTR	DESCRIPTION	DATE	DWN	APVD
		B		REVISED PER EC 0K80-0165-04	06MAY2004	DLD	RMC



P.C. BOARD LAYOUT
 TOLERANCE: ±0.1
 NON ACCUMULATIVE

- 1. TO BE MEASURED WITHIN 2MM FROM [-Z-]
- 2. APPLICABLE P.C. BOARD THICKNESS: 1.6MM
- 3. MATING CONNECTOR PART NO: 174046
- 4. RECOMMENDED MOUNTING SCREW: 3MM DIA
6MM LENGTH TAPPING SCREW



1-638008-2
 PART NUMBER

THIS DRAWING IS A CONTROLLED DOCUMENT.		DWN P. YEAGER 2-JAN-97	Tyco Electronics Corporation Harrisburg, PA 17105-3608	
DIMENSIONS: MM		CHK M. SHORE 2-JAN-97		
TOLERANCES UNLESS OTHERWISE SPECIFIED:		APVD M. SHORE 2-JAN-97	NAME 16 POSITION CAP ASSEMBLY (VERTICAL TYPE) .040 SERIES MULTI-LOCK I/O CONN ALL GOLD CONTACTS	
0 PLC ± - 1 PLC ± - 2 PLC ± 0.15 3 PLC ± - 4 PLC ± - ANGLES ± -		PRODUCT SPEC -	SIZE A3	
MATERIAL CONTACT-BRASS		FINISH CONTACT-GOLD	CAGE CODE 00779	DRAWING NO C-638008
		WEIGHT -	RESTRICTED TO -	
		CUSTOMER DRAWING		SCALE 2:1
				SHEET 1 OF 1
				REV B

X-ON Electronics

Largest Supplier of Electrical and Electronic Components

Click to view similar products for [Automotive Connectors](#) category:

Click to view products by [TE Connectivity](#) manufacturer:

Other Similar products are found below :

[003-018-000](#) [600858](#) [60403001](#) [60993906-B](#) [60993913-B](#) [629515004020001](#) [M902-2131](#) [M902-2161](#) [M902-2344](#) [72.330.1035.1](#)
[73.353.4028.0](#) [F118010](#) [F119300-B](#) [F132210](#) [F132210-B](#) [F166900](#) [F180100](#) [F258300](#) [F258300-B](#) [F294300-B](#) [F339100](#) [F339700](#) [F358300-](#)
[B](#) [F374110](#) [F407400](#) [F412210](#) [F427600](#) [F444110](#) [F487000](#) [F495100-B](#) [F500900-B](#) [F509500B-B](#) [770444-1](#) [776880-1](#) [827153-1](#) [881735-1](#)
[8N1515-32-24P](#) [9-1326727-8](#) [9-1326729-8](#) [925467-1](#) [925474-1](#) [928905-1](#) [936398-2](#) [964562-1](#) [964562-4](#) [964731-2](#) [965051-1](#) [968782-1](#)
[GT17SA-8DS-HU](#) [GT17VS-10DP-5.2CF](#)