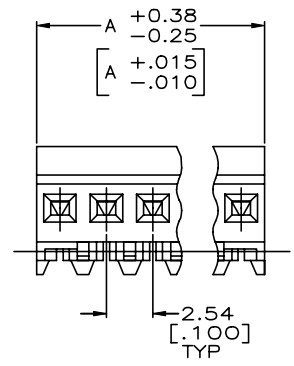
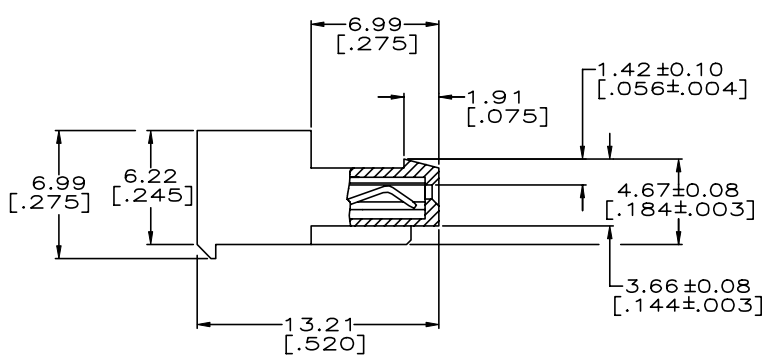
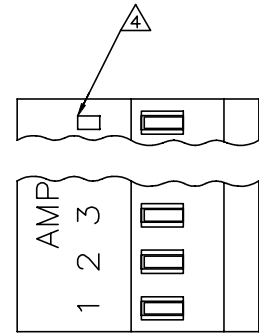


THIS DRAWING IS UNPUBLISHED. RELEASED FOR PUBLICATION
 © COPYRIGHT - By - ALL RIGHTS RESERVED.

LOC		DIST		REVISIONS			
P	LYR	DESCRIPTION		DATE	DWN	APVD	
CM	00	P	REVISED PER ECR-20-000541	15MAY2020	PC	SW	

LEADFREE	DIM A	NO. OF CIRCUITS	PART NO.	
YES	71.12[2.800]	28	5-640440-8	
YES	68.58[2.700]	27	5-640440-7	
YES	66.04[2.600]	26	5-640440-6	
YES	63.50[2.500]	25	5-640440-5	
YES	60.96[2.400]	24	5-640440-4	
YES	58.42[2.300]	23	5-640440-3	
YES	55.88[2.200]	22	5-640440-2	
YES	53.34[2.100]	21	5-640440-1	
YES	50.80[2.000]	20	5-640440-0	
YES	48.26[1.900]	19	4-640440-9	
YES	45.72[1.800]	18	4-640440-8	
YES	43.18[1.700]	17	4-640440-7	
YES	40.64[1.600]	16	4-640440-6	
YES	38.10[1.500]	15	4-640440-5	
YES	35.56[1.400]	14	4-640440-4	
YES	33.02[1.300]	13	4-640440-3	
YES	30.48[1.200]	12	4-640440-2	
YES	27.94[1.100]	11	4-640440-1	
YES	25.40[1.000]	10	4-640440-0	
YES	22.86[.900]	9	3-640440-9	
YES	20.32[.800]	8	3-640440-8	
YES	17.78[.700]	7	3-640440-7	
YES	15.24[.600]	6	3-640440-6	
YES	12.70[.500]	5	3-640440-5	
YES	10.16[.400]	4	3-640440-4	
YES	7.62[.300]	3	3-640440-3	
YES	5.08[.200]	2	3-640440-2	
NO	71.12[2.800]	28	2-640440-8	SUP BY 5-640440-8
NO	68.58[2.700]	27	2-640440-7	SUP BY 5-640440-7
NO	66.04[2.600]	26	2-640440-6	SUP BY 5-640440-6
NO	63.50[2.500]	25	2-640440-5	SUP BY 5-640440-5
NO	60.96[2.400]	24	2-640440-4	SUP BY 5-640440-4
NO	58.42[2.300]	23	2-640440-3	SUP BY 5-640440-3
NO	55.88[2.200]	22	2-640440-2	SUP BY 5-640440-2
NO	53.34[2.100]	21	2-640440-1	SUP BY 5-640440-1
NO	50.80[2.000]	20	2-640440-0	SUP BY 5-640440-0
NO	48.26[1.900]	19	1-640440-9	SUP BY 4-640440-9
NO	45.72[1.800]	18	1-640440-8	SUP BY 4-640440-8
NO	43.18[1.700]	17	1-640440-7	SUP BY 4-640440-7
NO	40.64[1.600]	16	1-640440-6	SUP BY 4-640440-6
NO	38.10[1.500]	15	1-640440-5	SUP BY 4-640440-5
NO	35.56[1.400]	14	1-640440-4	SUP BY 4-640440-4
NO	33.02[1.300]	13	1-640440-3	SUP BY 4-640440-3
NO	30.48[1.200]	12	1-640440-2	SUP BY 4-640440-2
NO	27.94[1.100]	11	1-640440-1	SUP BY 4-640440-1
NO	25.40[1.000]	10	1-640440-0	SUP BY 4-640440-0
NO	22.86[.900]	9	640440-9	SUP BY 3-640440-9
NO	20.32[.800]	8	640440-8	SUP BY 3-640440-8
NO	17.78[.700]	7	640440-7	SUP BY 3-640440-7
NO	15.24[.600]	6	640440-6	SUP BY 3-640440-6
NO	12.70[.500]	5	640440-5	SUP BY 3-640440-5
NO	10.16[.400]	4	640440-4	SUP BY 3-640440-4
NO	7.62[.300]	3	640440-3	SUP BY 3-640440-3
NO	5.08[.200]	2	640440-2	SUP BY 3-640440-2



- 1 MATERIAL: CONNECTOR - NYLON UL94V-2 (RED).
CONTACTS - 0.30[.012] THICK COPPER ALLOY
BRIGHT TIN-LEAD .00203[.000080] MIN THICKNESS
FOR 640440-2 THRU 2-640440-8.
MATTE WHISKER MITIGATED TIN .00203[.000080] MIN THICKNESS OVER
NICKEL UNDERPLATE FOR 3-640440-2 THRU 5-640440-8.
- 2 CONTACTS ACCEPT 22 AWG WIRE WITH 1.52[.060] MAX
INSULATION DIAMETER.
- 3 CONTACTS MUST ACCEPT 0.64±0.03[.025±.001]
POST AND REMAIN LOCKED IN POSITION.
- 4 IDENTIFICATION NUMBER FOR LAST CIRCUIT MAY
NOT APPEAR ON ALL ASSEMBLIES.
- 5 DIMENSIONS IN BRACKETS ARE IN INCHES.
- 6 HOUSING FEATURES ARE: CLOSED END WITH LOCKING RAMP.
- 7 OBSOLETE PARTS

THIS DRAWING IS A CONTROLLED DOCUMENT.		DWN S. CARPENTER 09JUN2003			
DIMENSIONS: INCHES		CHK D. BOSSI 09JUN2003			
TOLERANCES UNLESS OTHERWISE SPECIFIED:		APVD D. BOSSI 09JUN2003		NAME	
0 PLC ± 1 PLC ± 2 PLC ± 3 PLC ± 0.13 [0.003] 4 PLC ± ANGLES ±		PRODUCT SPEC		MTA 100 CONNECTOR ASSEMBLY, 22 AWG, STANDARD	
MATERIAL 1		FINISH 1		SIZE A2	
		WEIGHT		CAGE CODE 00779	
		CUSTOMER DRAWING		DRAWING NO 640440	
		SCALE 5:1		SHEET 1 of 1	
				REV P	

X-ON Electronics

Largest Supplier of Electrical and Electronic Components

Click to view similar products for [TE Connectivity](#) manufacturer:

Other Similar products are found below :

[D38999/24FJ4AN](#) [570416-000](#) [CLTEQ-M81CE-SSRELAY-4-20V](#) [4-1195131-0](#) [650069-000](#) [SMD100-2](#) [358838-000](#) [CB-1022B-78](#)
[RM707012](#) [RP410012](#) [MMS42](#) [1-640426-8](#) [2EDL4CM](#) [DTS20W19-11PD-3028-LC](#) [RM202615](#) [NC6-P104-06](#) [MSPS103B](#) [DTS26F21-](#)
[41HE-LC](#) [DTS26F21-41AE](#) [DTS26F21-41PE-LC](#) [DTS26F21-11SE-3028-LC](#) [30DCB6](#) [1932144-1](#) [293545-4](#) [LVR125S](#) [MS27466T25F4PB](#)
[CKB-38-78010](#) [TR04AI-TINELLOCKRING](#) [1206SFF150F/63-2](#) [D38999/20JB35HA](#) [TE1500A2R2J](#) [D38999/20WC8BB](#) [DTS24F19-11SC-](#)
[3028-LC](#) [D38999/24WG11HA](#) [D38999/24WG11HN](#) [MS27467T21F11H](#) [DJT16E21-11HA](#) [MS27467T21F35J](#) [MS27467T21F11J](#)
[MS27467T21F16H-LC](#) [MS27467T21F35H](#) [MS27467T21F41H-LC](#) [1206SFH150F/24-2](#) [RP330024](#) [DJT16E21-11PA-LC](#) [DJT16E21-11HA-](#)
[LC](#) [DJT16E21-11AA](#) [MS27467T21B11JA](#) [DJT16E21-11JA](#) [MS27467T21B11JA-LC](#)