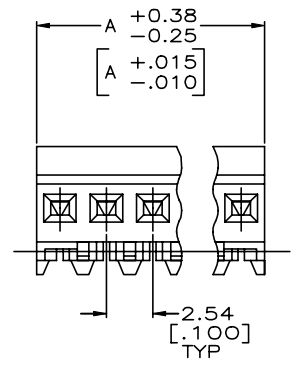
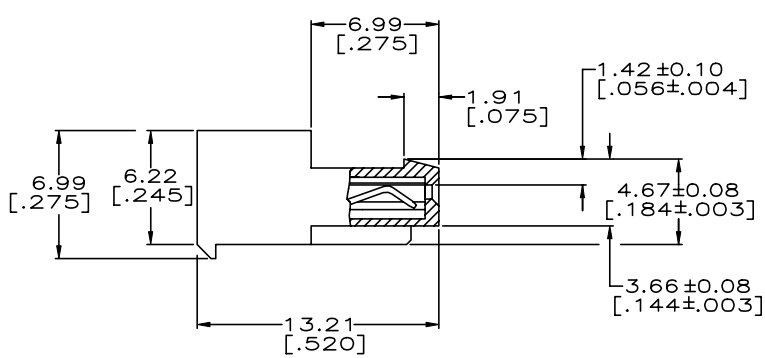
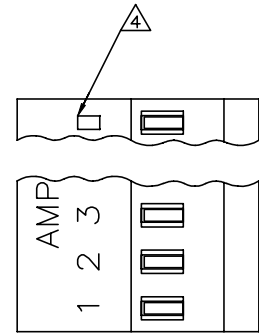


THIS DRAWING IS UNPUBLISHED. RELEASED FOR PUBLICATION
 © COPYRIGHT - By - ALL RIGHTS RESERVED.

LOC		DIST		REVISIONS			
CM	00	P	LTR	DESCRIPTION	DATE	DWN	APVD
		P		REVISED PER ECR-20-000541	15MAY2020	PC	SW

YES	71.12	[2.800]	28	5-640440-8	
YES	68.58	[2.700]	27	5-640440-7	
YES	66.04	[2.600]	26	5-640440-6	
YES	63.50	[2.500]	25	5-640440-5	
YES	60.96	[2.400]	24	5-640440-4	
YES	58.42	[2.300]	23	5-640440-3	
YES	55.88	[2.200]	22	5-640440-2	
YES	53.34	[2.100]	21	5-640440-1	
YES	50.80	[2.000]	20	5-640440-0	
YES	48.26	[1.900]	19	4-640440-9	
YES	45.72	[1.800]	18	4-640440-8	
YES	43.18	[1.700]	17	4-640440-7	
YES	40.64	[1.600]	16	4-640440-6	
YES	38.10	[1.500]	15	4-640440-5	
YES	35.56	[1.400]	14	4-640440-4	
YES	33.02	[1.300]	13	4-640440-3	
YES	30.48	[1.200]	12	4-640440-2	
YES	27.94	[1.100]	11	4-640440-1	
YES	25.40	[1.000]	10	4-640440-0	
YES	22.86	[.900]	9	3-640440-9	
YES	20.32	[.800]	8	3-640440-8	
YES	17.78	[.700]	7	3-640440-7	
YES	15.24	[.600]	6	3-640440-6	
YES	12.70	[.500]	5	3-640440-5	
YES	10.16	[.400]	4	3-640440-4	
YES	7.62	[.300]	3	3-640440-3	
YES	5.08	[.200]	2	3-640440-2	
NO	71.12	[2.800]	28	2-640440-8	SUP BY 5-640440-8
NO	68.58	[2.700]	27	2-640440-7	SUP BY 5-640440-7
NO	66.04	[2.600]	26	2-640440-6	SUP BY 5-640440-6
NO	63.50	[2.500]	25	2-640440-5	SUP BY 5-640440-5
NO	60.96	[2.400]	24	2-640440-4	SUP BY 5-640440-4
NO	58.42	[2.300]	23	2-640440-3	SUP BY 5-640440-3
NO	55.88	[2.200]	22	2-640440-2	SUP BY 5-640440-2
NO	53.34	[2.100]	21	2-640440-1	SUP BY 5-640440-1
NO	50.80	[2.000]	20	2-640440-0	SUP BY 5-640440-0
NO	48.26	[1.900]	19	1-640440-9	SUP BY 4-640440-9
NO	45.72	[1.800]	18	1-640440-8	SUP BY 4-640440-8
NO	43.18	[1.700]	17	1-640440-7	SUP BY 4-640440-7
NO	40.64	[1.600]	16	1-640440-6	SUP BY 4-640440-6
NO	38.10	[1.500]	15	1-640440-5	SUP BY 4-640440-5
NO	35.56	[1.400]	14	1-640440-4	SUP BY 4-640440-4
NO	33.02	[1.300]	13	1-640440-3	SUP BY 4-640440-3
NO	30.48	[1.200]	12	1-640440-2	SUP BY 4-640440-2
NO	27.94	[1.100]	11	1-640440-1	SUP BY 4-640440-1
NO	25.40	[1.000]	10	1-640440-0	SUP BY 4-640440-0
NO	22.86	[.900]	9	640440-9	SUP BY 3-640440-9
NO	20.32	[.800]	8	640440-8	SUP BY 3-640440-8
NO	17.78	[.700]	7	640440-7	SUP BY 3-640440-7
NO	15.24	[.600]	6	640440-6	SUP BY 3-640440-6
NO	12.70	[.500]	5	640440-5	SUP BY 3-640440-5
NO	10.16	[.400]	4	640440-4	SUP BY 3-640440-4
NO	7.62	[.300]	3	640440-3	SUP BY 3-640440-3
NO	5.08	[.200]	2	640440-2	SUP BY 3-640440-2

7



- 1 MATERIAL: CONNECTOR - NYLON UL94V-2 (RED).
CONTACTS - 0.30[.012] THICK COPPER ALLOY
BRIGHT TIN-LEAD .00203[.000080] MIN THICKNESS
FOR 640440-2 THRU 2-640440-8.
MATTE WHISKER MITIGATED TIN .00203[.000080] MIN THICKNESS OVER
NICKEL UNDERPLATE FOR 3-640440-2 THRU 5-640440-8.
- 2 CONTACTS ACCEPT 22 AWG WIRE WITH 1.52[.060] MAX
INSULATION DIAMETER.
- 3 CONTACTS MUST ACCEPT 0.64±0.03[.025±.001]
POST AND REMAIN LOCKED IN POSITION.
- 4 IDENTIFICATION NUMBER FOR LAST CIRCUIT MAY
NOT APPEAR ON ALL ASSEMBLIES.
- 5 DIMENSIONS IN BRACKETS ARE IN INCHES.
- 6 HOUSING FEATURES ARE: CLOSED END WITH LOCKING RAMP.
- 7 OBSOLETE PARTS

THIS DRAWING IS A CONTROLLED DOCUMENT.		DWN S. CARPENTER 09JUN2003		TE Connectivity	
DIMENSIONS: INCHES		CHK D. BOSSI 09JUN2003		APVD D. BOSSI 09JUN2003	
TOLERANCES UNLESS OTHERWISE SPECIFIED:		NAME		PRODUCT SPEC	
0 PLC ±		108-1050		APPLICATION SPEC	
1 PLC ±		114-1019		RESTRICTED TO	
2 PLC ± 0.13 [0.003]		SIZE		CAGE CODE	
3 PLC ±		A2		00779	
4 PLC ±		DRAWING NO		640440	
ANGLES ±		WEIGHT		SCALE	
FINISH		CUSTOMER DRAWING		5:1	

X-ON Electronics

Largest Supplier of Electrical and Electronic Components

Click to view similar products for [Headers & Wire Housings](#) category:

Click to view products by [TE Connectivity](#) manufacturer:

Other Similar products are found below :

[95000-104TRLF](#) [10135584-644402LF](#) [DF62W-EP2022PCA](#) [95000-106TRLF](#) [DF62W-2022SCA](#) [DF62W-EP2022PC](#) [2203348](#) [DF62W-2022SC](#) [1084018](#) [1029039](#) [1084017](#) [802-10-012-10-002000](#) [1112640](#) [1112639](#) [000-34000](#) [0009482033](#) [0009507031](#) [57102-S06-03LF](#) [57202-S52-04LF](#) [PCN6-15S-2.5E](#) [0039019024](#) [58102-G61-06LF](#) [582553-1](#) [0009508121](#) [0050291907](#) [018731A](#) [LY20-4P-DT1-P1E-BR](#) [02.125.8002.8](#) [60101931](#) [60598-1 \(Cut Strip\)](#) [M1625-3R/100](#) [61062-3](#) [61082-181009](#) [636-1427](#) [638009-1](#) [641938-9](#) [641991-4](#) [644168-1](#) [647662-1](#) [65039-019ELF](#) [65817-002LF](#) [65817-015LF](#) [65863-015LF](#) [66207-023LF](#) [67016-026LF](#) [67046-001LF](#) [67095-007LF](#) [68002-116](#) [68016-236H](#) [68648-049](#)