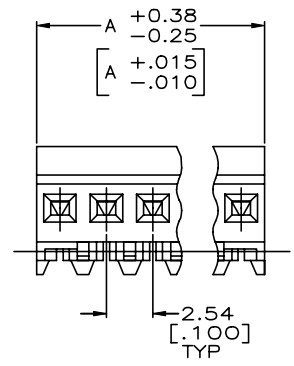
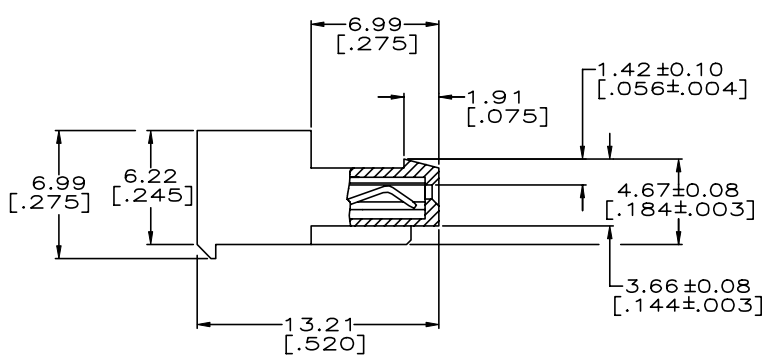
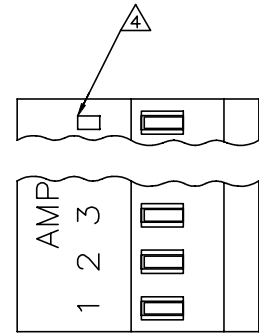


THIS DRAWING IS UNPUBLISHED. RELEASED FOR PUBLICATION
 © COPYRIGHT - By - ALL RIGHTS RESERVED.

| LOC | | DIST | | REVISIONS | | | | |
|-----|-----|-------------|---------------------------|-----------|-----|------|--|--|
| P | LYR | DESCRIPTION | | DATE | DWN | APVD | | |
| CM | 00 | P | REVISED PER ECR-20-000541 | 15MAY2020 | PC | SW | | |

| LEADFREE | DIM A | NO. OF CIRCUITS | PART NO. | |
|----------|--------------|-----------------|------------|-------------------|
| YES | 71.12[2.800] | 28 | 5-640440-8 | |
| YES | 68.58[2.700] | 27 | 5-640440-7 | |
| YES | 66.04[2.600] | 26 | 5-640440-6 | |
| YES | 63.50[2.500] | 25 | 5-640440-5 | |
| YES | 60.96[2.400] | 24 | 5-640440-4 | |
| YES | 58.42[2.300] | 23 | 5-640440-3 | |
| YES | 55.88[2.200] | 22 | 5-640440-2 | |
| YES | 53.34[2.100] | 21 | 5-640440-1 | |
| YES | 50.80[2.000] | 20 | 5-640440-0 | |
| YES | 48.26[1.900] | 19 | 4-640440-9 | |
| YES | 45.72[1.800] | 18 | 4-640440-8 | |
| YES | 43.18[1.700] | 17 | 4-640440-7 | |
| YES | 40.64[1.600] | 16 | 4-640440-6 | |
| YES | 38.10[1.500] | 15 | 4-640440-5 | |
| YES | 35.56[1.400] | 14 | 4-640440-4 | |
| YES | 33.02[1.300] | 13 | 4-640440-3 | |
| YES | 30.48[1.200] | 12 | 4-640440-2 | |
| YES | 27.94[1.100] | 11 | 4-640440-1 | |
| YES | 25.40[1.000] | 10 | 4-640440-0 | |
| YES | 22.86[.900] | 9 | 3-640440-9 | |
| YES | 20.32[.800] | 8 | 3-640440-8 | |
| YES | 17.78[.700] | 7 | 3-640440-7 | |
| YES | 15.24[.600] | 6 | 3-640440-6 | |
| YES | 12.70[.500] | 5 | 3-640440-5 | |
| YES | 10.16[.400] | 4 | 3-640440-4 | |
| YES | 7.62[.300] | 3 | 3-640440-3 | |
| YES | 5.08[.200] | 2 | 3-640440-2 | |
| NO | 71.12[2.800] | 28 | 2-640440-8 | SUP BY 5-640440-8 |
| NO | 68.58[2.700] | 27 | 2-640440-7 | SUP BY 5-640440-7 |
| NO | 66.04[2.600] | 26 | 2-640440-6 | SUP BY 5-640440-6 |
| NO | 63.50[2.500] | 25 | 2-640440-5 | SUP BY 5-640440-5 |
| NO | 60.96[2.400] | 24 | 2-640440-4 | SUP BY 5-640440-4 |
| NO | 58.42[2.300] | 23 | 2-640440-3 | SUP BY 5-640440-3 |
| NO | 55.88[2.200] | 22 | 2-640440-2 | SUP BY 5-640440-2 |
| NO | 53.34[2.100] | 21 | 2-640440-1 | SUP BY 5-640440-1 |
| NO | 50.80[2.000] | 20 | 2-640440-0 | SUP BY 5-640440-0 |
| NO | 48.26[1.900] | 19 | 1-640440-9 | SUP BY 4-640440-9 |
| NO | 45.72[1.800] | 18 | 1-640440-8 | SUP BY 4-640440-8 |
| NO | 43.18[1.700] | 17 | 1-640440-7 | SUP BY 4-640440-7 |
| NO | 40.64[1.600] | 16 | 1-640440-6 | SUP BY 4-640440-6 |
| NO | 38.10[1.500] | 15 | 1-640440-5 | SUP BY 4-640440-5 |
| NO | 35.56[1.400] | 14 | 1-640440-4 | SUP BY 4-640440-4 |
| NO | 33.02[1.300] | 13 | 1-640440-3 | SUP BY 4-640440-3 |
| NO | 30.48[1.200] | 12 | 1-640440-2 | SUP BY 4-640440-2 |
| NO | 27.94[1.100] | 11 | 1-640440-1 | SUP BY 4-640440-1 |
| NO | 25.40[1.000] | 10 | 1-640440-0 | SUP BY 4-640440-0 |
| NO | 22.86[.900] | 9 | 640440-9 | SUP BY 3-640440-9 |
| NO | 20.32[.800] | 8 | 640440-8 | SUP BY 3-640440-8 |
| NO | 17.78[.700] | 7 | 640440-7 | SUP BY 3-640440-7 |
| NO | 15.24[.600] | 6 | 640440-6 | SUP BY 3-640440-6 |
| NO | 12.70[.500] | 5 | 640440-5 | SUP BY 3-640440-5 |
| NO | 10.16[.400] | 4 | 640440-4 | SUP BY 3-640440-4 |
| NO | 7.62[.300] | 3 | 640440-3 | SUP BY 3-640440-3 |
| NO | 5.08[.200] | 2 | 640440-2 | SUP BY 3-640440-2 |



- 1 MATERIAL: CONNECTOR - NYLON UL94V-2 (RED).
CONTACTS - 0.30[.012] THICK COPPER ALLOY
BRIGHT TIN-LEAD .00203[.000080] MIN THICKNESS
FOR 640440-2 THRU 2-640440-8.
MATTE WHISKER MITIGATED TIN .00203[.000080] MIN THICKNESS OVER
NICKEL UNDERPLATE FOR 3-640440-2 THRU 5-640440-8.
- 2 CONTACTS ACCEPT 22 AWG WIRE WITH 1.52[.060] MAX
INSULATION DIAMETER.
- 3 CONTACTS MUST ACCEPT 0.64±0.03[.025±.001]
POST AND REMAIN LOCKED IN POSITION.
- 4 IDENTIFICATION NUMBER FOR LAST CIRCUIT MAY
NOT APPEAR ON ALL ASSEMBLIES.
- 5 DIMENSIONS IN BRACKETS ARE IN INCHES.
- 6 HOUSING FEATURES ARE: CLOSED END WITH LOCKING RAMP.
- 7 OBSOLETE PARTS

| | | | | | |
|--|--|----------------------------|--|---|--|
| THIS DRAWING IS A CONTROLLED DOCUMENT. | | DWN S. CARPENTER 09JUN2003 | | | |
| DIMENSIONS: INCHES | | CHK D. BOSSI 09JUN2003 | | | |
| TOLERANCES UNLESS OTHERWISE SPECIFIED: | | APVD D. BOSSI 09JUN2003 | | NAME | |
| 0 PLC ± 1 PLC ± 2 PLC ± 3 PLC ± 0.13 [0.003] 4 PLC ± ANGLES ± | | PRODUCT SPEC | | MTA 100 CONNECTOR ASSEMBLY, 22 AWG, STANDARD | |
| MATERIAL 1 | | FINISH 1 | | SIZE A2 | |
| | | WEIGHT | | CAGE CODE 00779 | |
| | | CUSTOMER DRAWING | | DRAWING NO 640440 | |
| | | SCALE 5:1 | | SHEET 1 of 1 | |
| | | | | REV P | |

X-ON Electronics

Largest Supplier of Electrical and Electronic Components

Click to view similar products for [Headers & Wire Housings](#) category:

Click to view products by [TE Connectivity](#) manufacturer:

Other Similar products are found below :

[892-18-020-10-001101](#) [58102-G61-06LF](#) [582553-1](#) [0009485154](#) [009176003701906](#) [0050291907](#) [LY20-4P-DT1-P1E-BR](#) [02.125.8002.8](#)
[609-3404](#) [61062-3](#) [61082-181009](#) [622-3653LF](#) [63453-116](#) [636-1030](#) [636-1427](#) [636-3427](#) [636-4007](#) [641938-9](#) [641991-4](#) [644827-2](#) [65817-010LF](#) [65817-015LF](#) [65863-015LF](#) [66207-023LF](#) [67095-007LF](#) [67601157](#) [68645-018](#) [68648-049](#) [70.362.1628.0](#) [70-4210](#) [70-4226B](#) [70-4853B](#) [707-5020](#) [707-5028](#) [71.350.2428.0](#) [71918-208LF](#) [71961-016LF](#) [733-134](#) [733-162](#) [754199-000](#) [760-3052](#) [787-8014-00](#) [79531-3000](#)
[FCN-360C032-B](#) [FCN-367T-T012/H](#) [FCN-723D010/2](#) [80.063.4001.1](#) [800-90-001-10-001000](#) [800-90-010-10-002000](#) [801-43-002-10-013000](#)