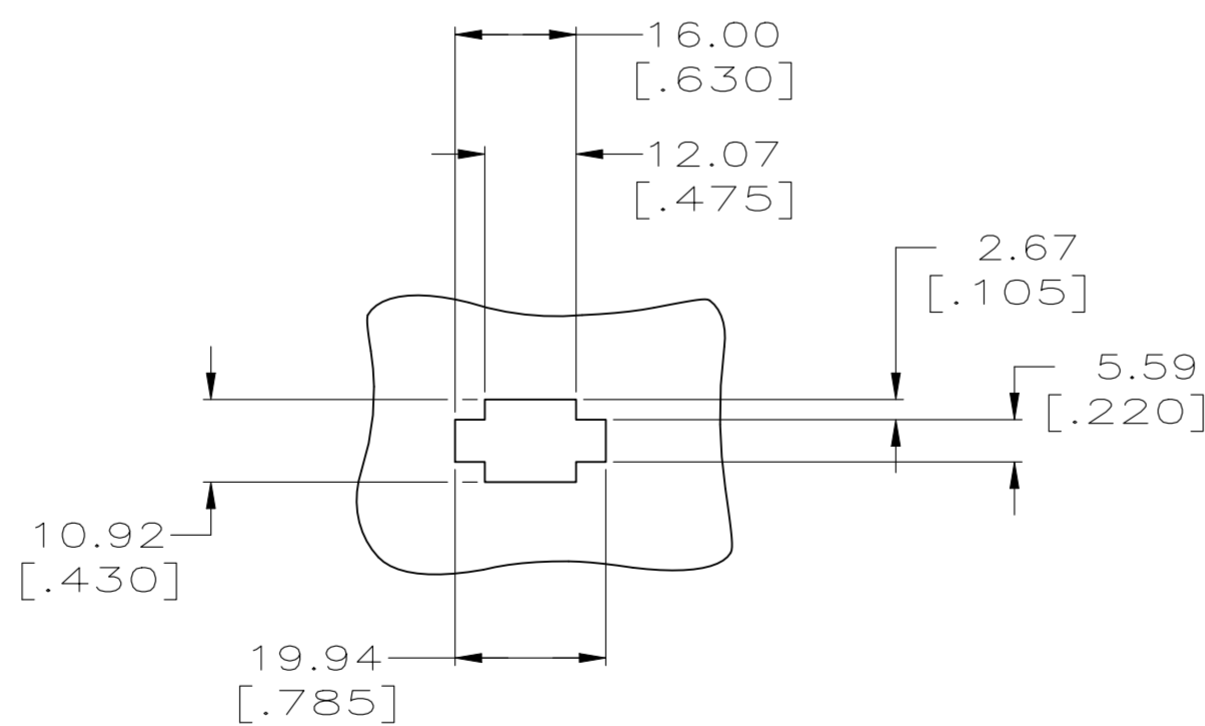
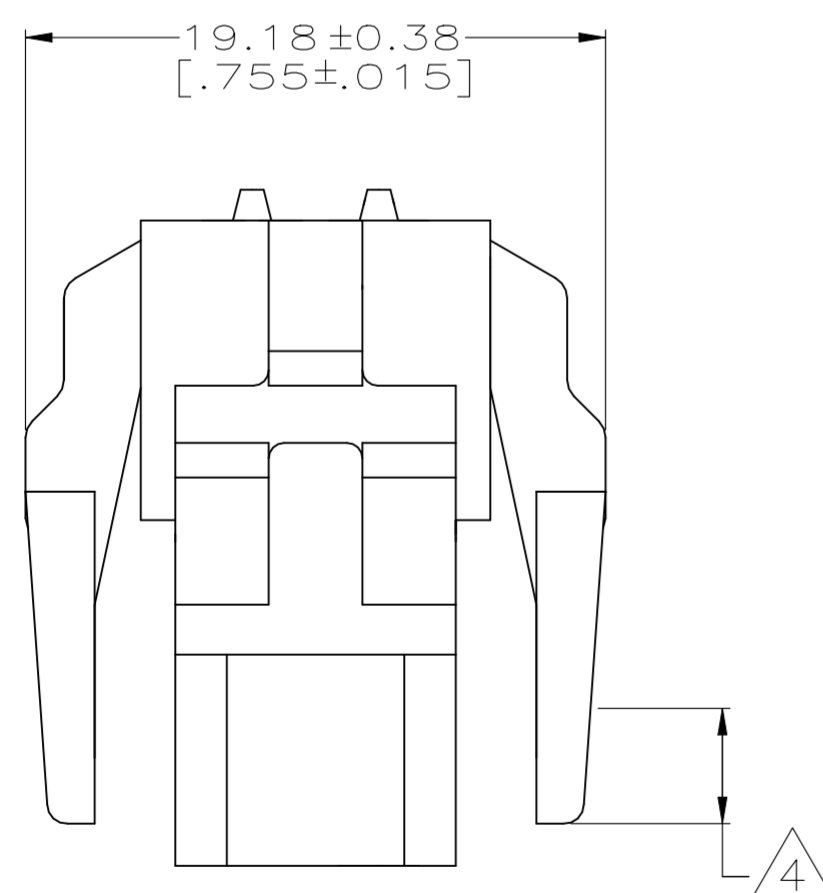
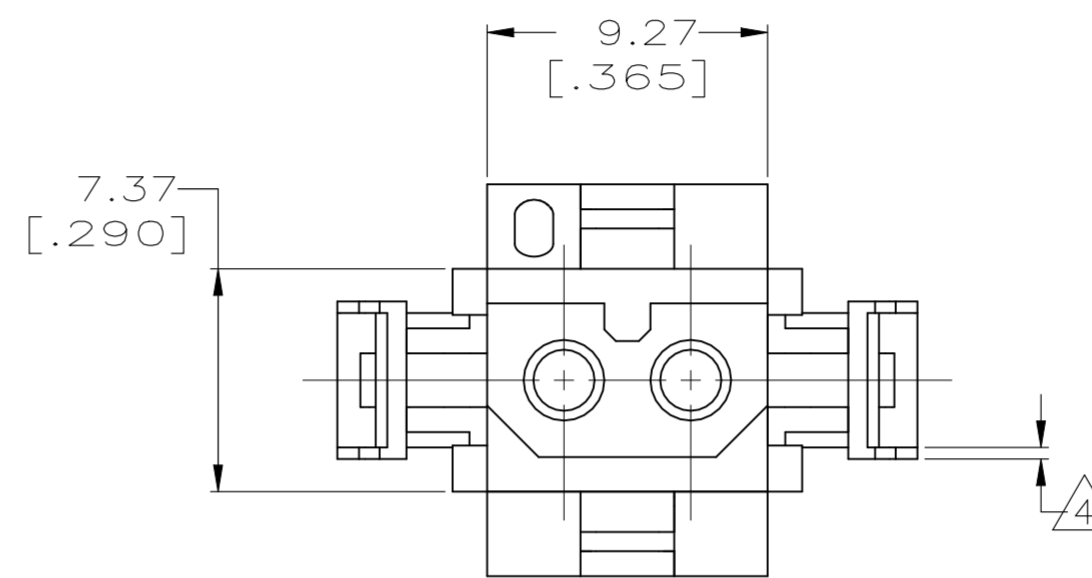
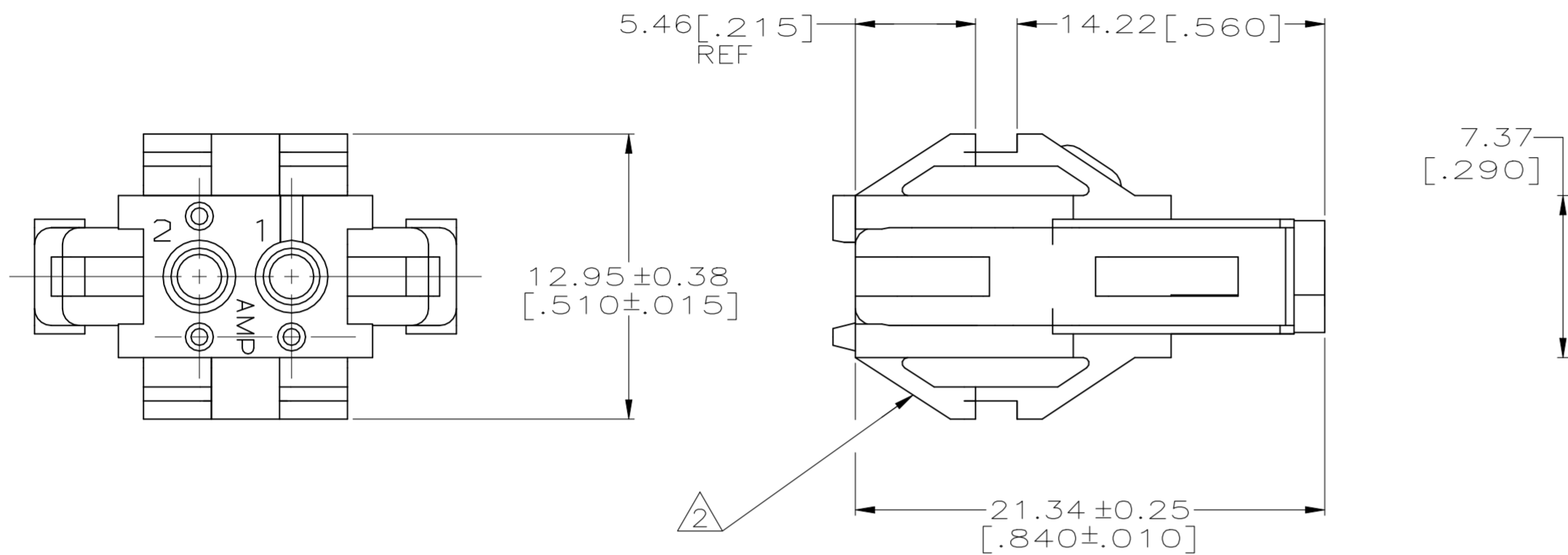


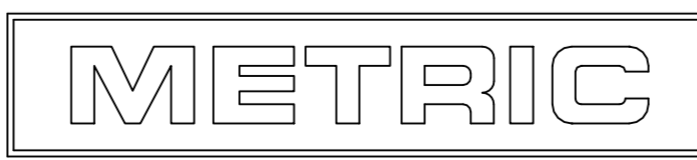
REVISIONS					
P	LTR	DESCRIPTION	DATE	DWN	APVD
G		REVISED PER ECO-21-005962	19MAY2021	RK	MZ

- MATES WITH HOUSING 640507.
- UL LOGO AND CSA LOGO TO APPEAR ON EITHER LATCH SURFACE PER AMP SPEC 202-20, I.D. NO. 1-18838-3 AND 1-18839-3. FROST BACKGROUND OPTIONAL.
- DIMENSIONS IN BRACKETS ARE IN INCHES.
- NON-FILL PERMITTED UP TO 3.8[.15] FROM EDGE OF LATCH ARM ON THE 0.38[.015] THICK FLANGE, 4 PLC.
- HOUSING MATERIAL: PA66, BLACK, UL 94 V-0 RATED



RECOMMENDED CUT OUT FOR 1.73[.068] MAX THICK PANEL SCALE 1:1

1-640517-0  
PART NUMBER



THIS DRAWING IS A CONTROLLED DOCUMENT.		DWN R. VESTAL 12-01-97			
DIMENSIONS: mm [INCHES]		CHK R. SWING 12-01-97			
TOLERANCES UNLESS OTHERWISE SPECIFIED:		APVD A. BEDDICK 12-01-97	NAME HOUSING, PLUG MRII 2 POSITION		
0 PLC ± -		PRODUCT SPEC	SIZE A2	CAGE CODE 00779	DRAWING NO C-640517
1 PLC ± -		APPLICATION SPEC	RESTRICTED TO	-	
2 PLC ± 0.13[.005]		WEIGHT	SCALE 4:1 SHEET 1 OF 1 REV G		
3 PLC ± -		CUSTOMER DRAWING			
4 PLC ± -					
ANGLES ± 0° 30'					
MATERIAL		FINISH			
5					

## X-ON Electronics

Largest Supplier of Electrical and Electronic Components

*Click to view similar products for [Headers & Wire Housings](#) category:*

*Click to view products by [TE Connectivity](#) manufacturer:*

Other Similar products are found below :

[892-18-020-10-001101](#) [58102-G61-06LF](#) [582553-1](#) [0009485154](#) [009176003701906](#) [0050291907](#) [LY20-4P-DT1-P1E-BR](#) [02.125.8002.8](#)  
[609-3404](#) [61062-3](#) [61082-181009](#) [622-3653LF](#) [63453-116](#) [636-1030](#) [636-1427](#) [636-3427](#) [636-4007](#) [641938-9](#) [641991-4](#) [644827-2](#) [65817-010LF](#) [65817-015LF](#) [65863-015LF](#) [66207-023LF](#) [67095-007LF](#) [67601157](#) [68645-018](#) [68648-049](#) [70.362.1628.0](#) [70-4210](#) [70-4226B](#) [70-4853B](#) [707-5020](#) [707-5028](#) [71.350.2428.0](#) [71918-208LF](#) [71961-016LF](#) [733-134](#) [733-162](#) [754199-000](#) [760-3052](#) [787-8014-00](#) [79531-3000](#)  
[FCN-360C032-B](#) [FCN-367T-T012/H](#) [FCN-723D010/2](#) [80.063.4001.1](#) [800-90-001-10-001000](#) [800-90-010-10-002000](#) [801-43-002-10-013000](#)