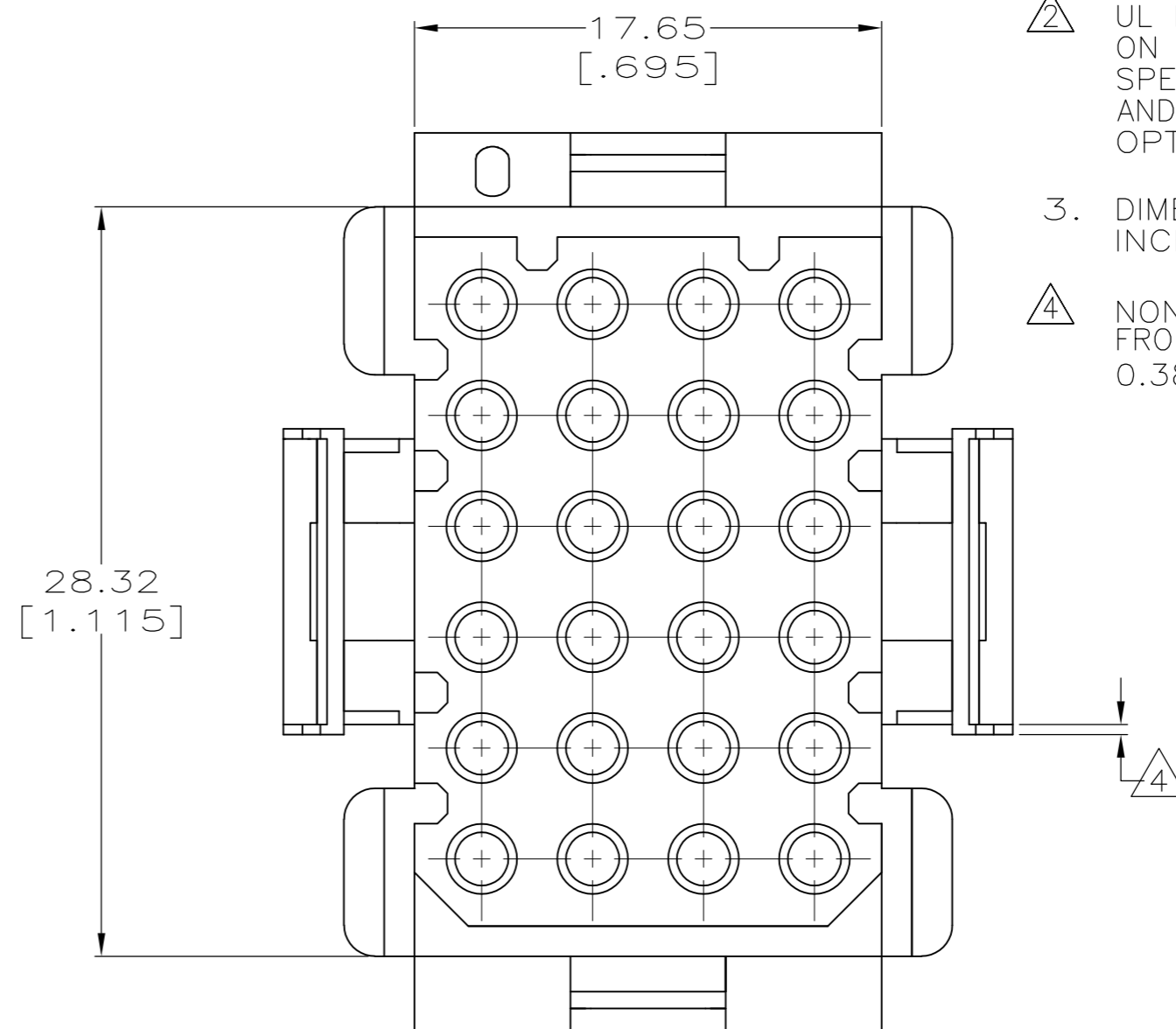
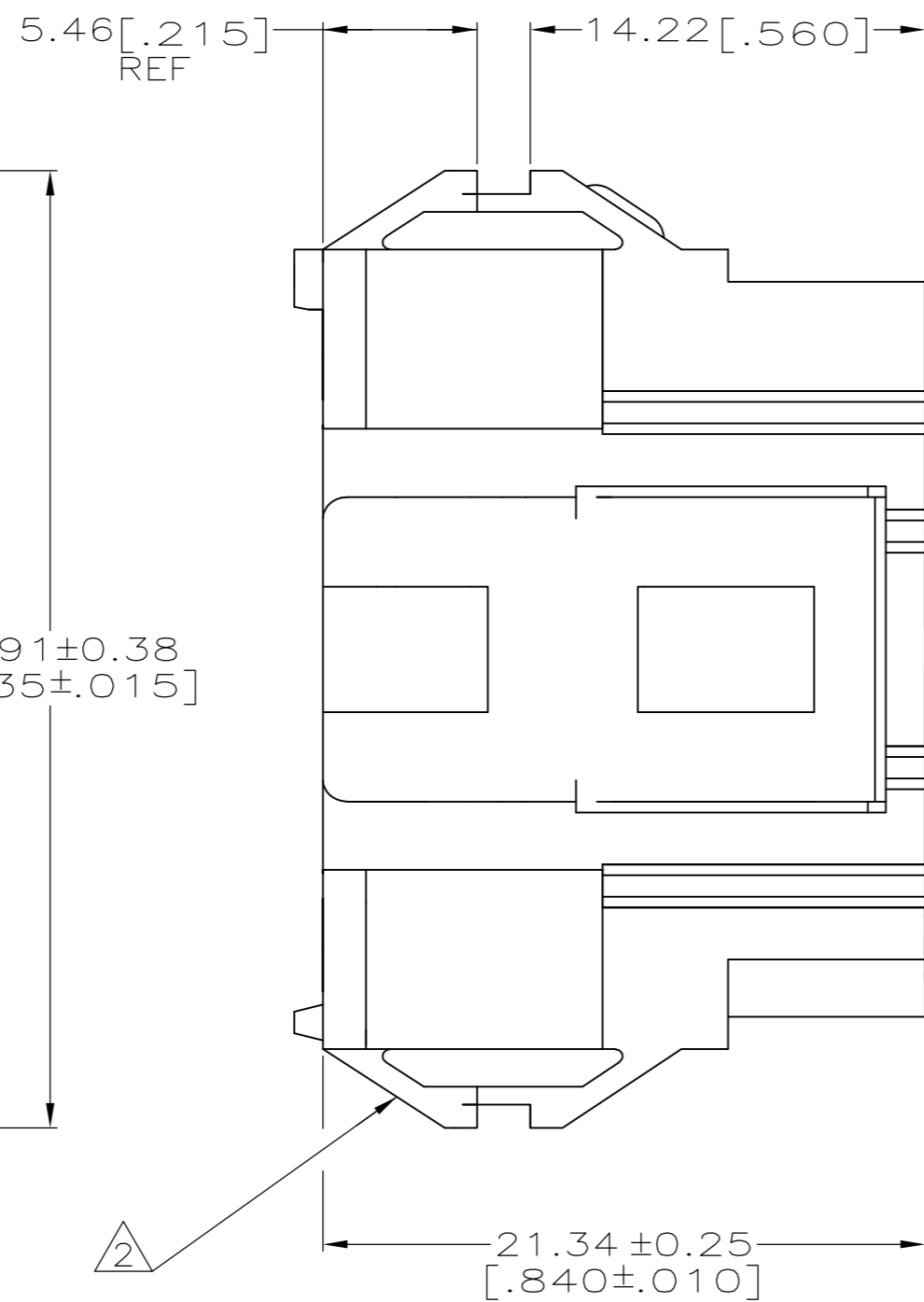
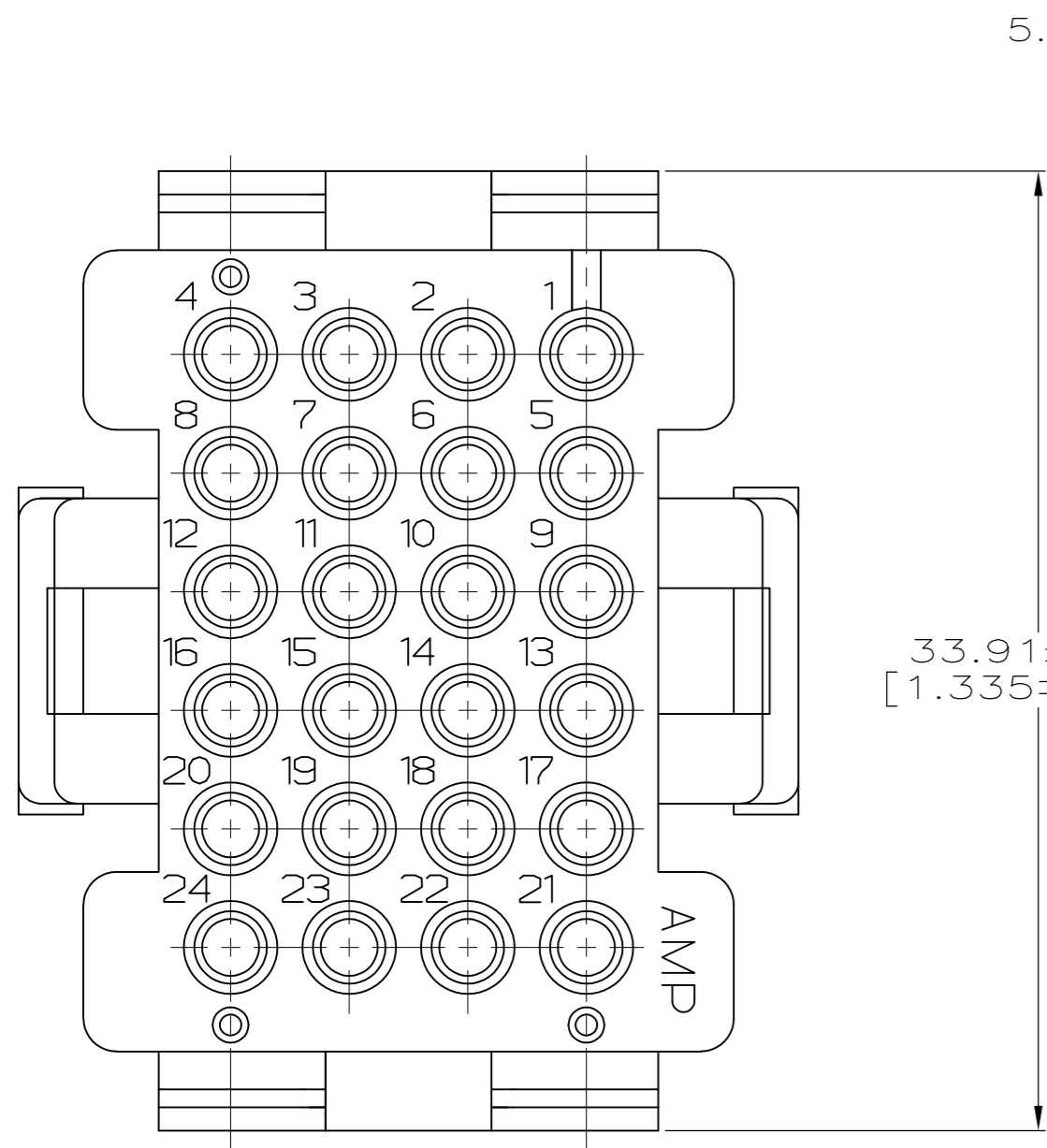
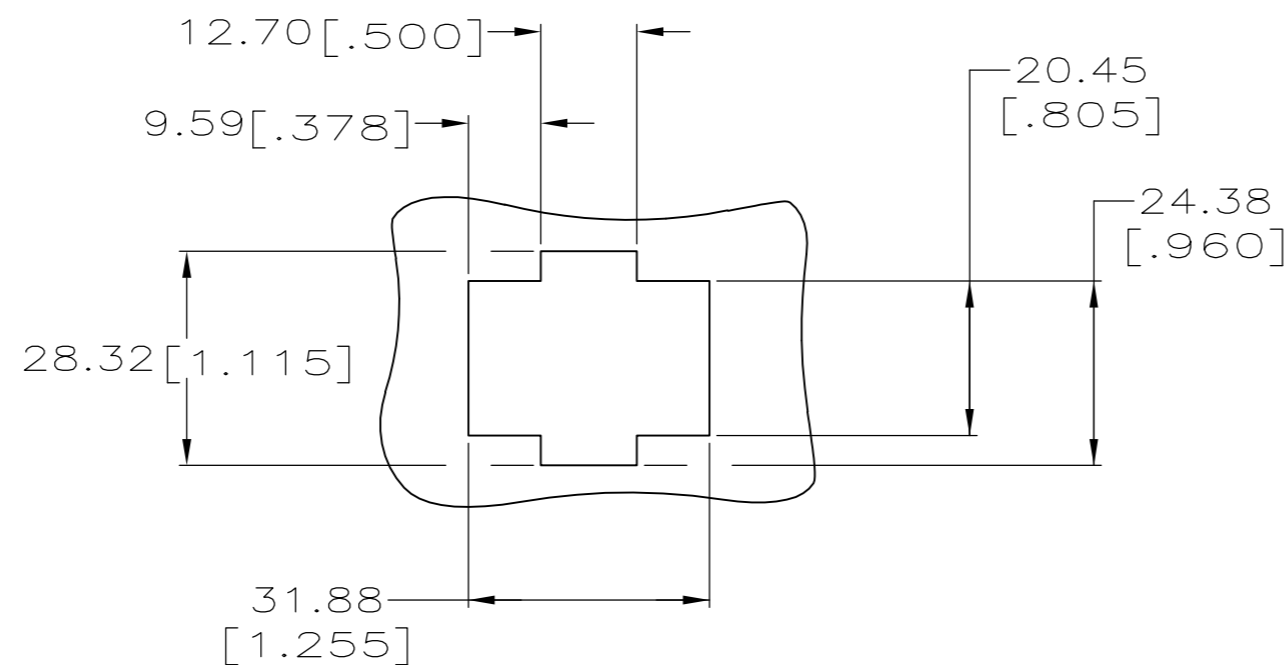
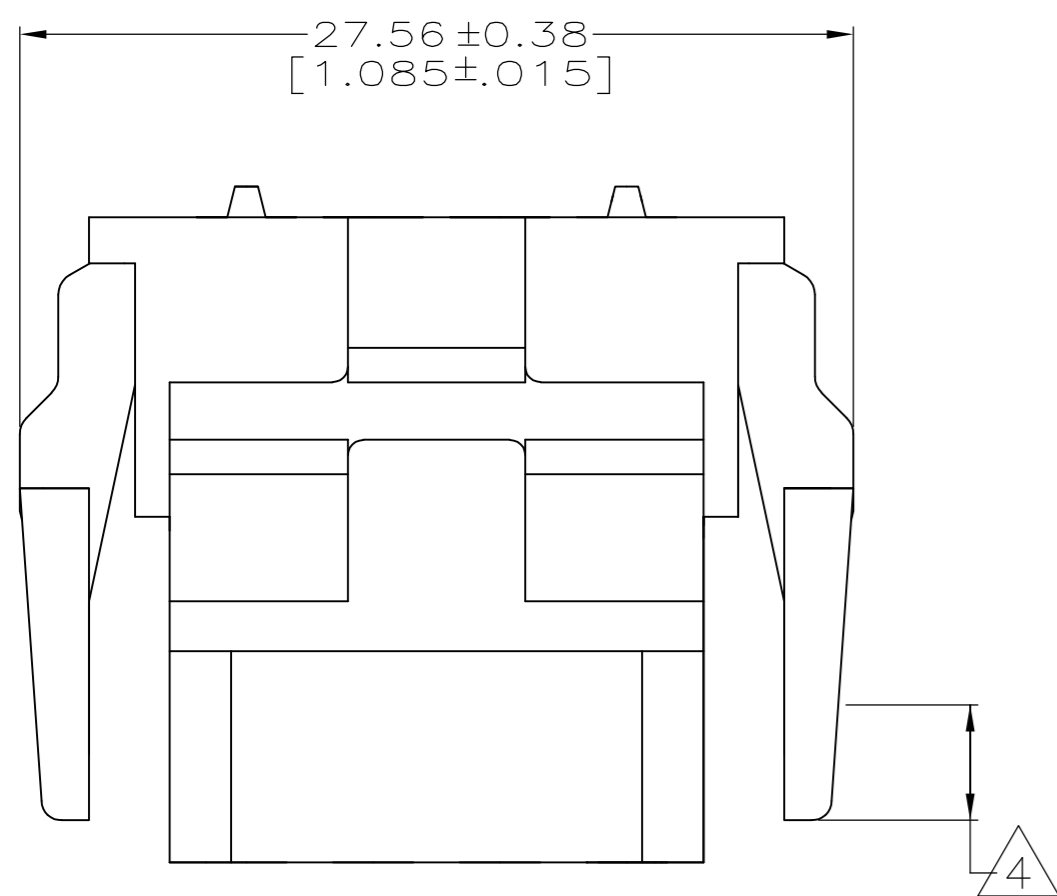


THIS DRAWING IS UNPUBLISHED. RELEASED FOR PUBLICATION
 © COPYRIGHT - By - ALL RIGHTS RESERVED.

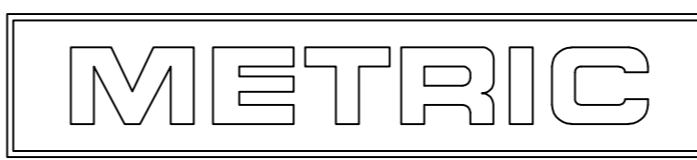
| LOC | | DIST | | REVISIONS | | | |
|-----|-----|-------------|---------------------------|-----------|---------|------|-----|
| P | LTR | DESCRIPTION | | DATE | DWN | APVD | |
| CM | 52 | E1 | REVISED PER ECO-11-004917 | | 11MAR11 | RK | HMR |



- MATES WITH HOUSING 640515.
- UL LOGO AND CSA LOGO TO APPEAR ON EITHER LATCH SURFACE PER AMP SPEC 202-20, I.D. NO. 1-18838-3 AND 1-18839-3. FROST BACKGROUND OPTIONAL.
- DIMENSIONS IN BRACKETS ARE IN INCHES.
- NON-FILL PERMITTED UP TO 3.8[.15] FROM EDGE OF LATCH ARM ON THE 0.38[.015] THICK FLANGE, 4 PLC.



RECOMMENDED CUT OUT FOR 1.73[.068] MAX THICK PANEL SCALE 1:1



1-640525-0
PART NUMBER

| | | | | | | | | | | | | |
|---|--|--------------|--------------------------------------|----------|-------|-----|-----------|--------|------------|----------|---------------|---|
| THIS DRAWING IS A CONTROLLED DOCUMENT. | | DWN | R. VESTAL | 12-01-97 | | | | | | | | |
| DIMENSIONS: mm [INCHES] | | CHK | R. SWING | 12-01-97 | | | | | | | | |
| TOLERANCES UNLESS OTHERWISE SPECIFIED: | | APVD | A. BEDDICK | 12-01-97 | | | | | | | | |
| 0 PLC ± - 1 PLC ± - 2 PLC ± 0.13[.005] 3 PLC ± - 4 PLC ± - ANGLES ± 0° 30' | | PRODUCT SPEC | HOUSING, PLUG MRII 24 POSITION | | | | | | | | | |
| MATERIAL: NYLON, UL 94V-0, NATURAL (BRICK RED) | | FINISH | - | | SIZE | A2 | CAGE CODE | 00779 | DRAWING NO | C-640525 | RESTRICTED TO | - |
| CUSTOMER DRAWING | | WEIGHT | - | | SCALE | 4:1 | SHEET | 1 OF 1 | REV | E1 | | |

X-ON Electronics

Largest Supplier of Electrical and Electronic Components

Click to view similar products for [Headers & Wire Housings](#) category:

Click to view products by [TE Connectivity](#) manufacturer:

Other Similar products are found below :

[892-18-020-10-001101](#) [58102-G61-06LF](#) [582553-1](#) [0009485154](#) [009176003701906](#) [0050291907](#) [LY20-4P-DT1-P1E-BR](#) [02.125.8002.8](#)
[609-3404](#) [61062-3](#) [61082-181009](#) [622-3653LF](#) [63453-116](#) [636-1030](#) [636-1427](#) [636-3427](#) [636-4007](#) [641938-9](#) [641991-4](#) [644827-2](#) [65817-](#)
[010LF](#) [65817-015LF](#) [65863-015LF](#) [66207-023LF](#) [67095-007LF](#) [67601157](#) [68645-018](#) [68648-049](#) [70.362.1628.0](#) [70-4210](#) [70-4226B](#) [70-](#)
[4853B](#) [707-5020](#) [707-5028](#) [71.350.2428.0](#) [71918-208LF](#) [71961-016LF](#) [733-134](#) [733-162](#) [754199-000](#) [760-3052](#) [787-8014-00](#) [79531-3000](#)
[FCN-360C032-B](#) [FCN-367T-T012/H](#) [FCN-723D010/2](#) [80.063.4001.1](#) [800-90-001-10-001000](#) [800-90-010-10-002000](#) [801-43-002-10-013000](#)