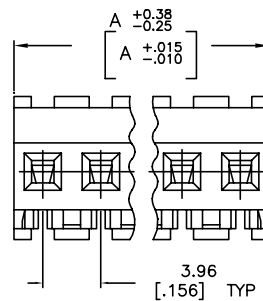
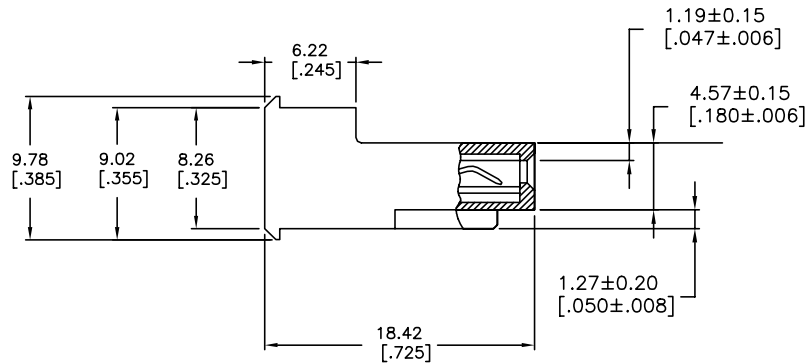
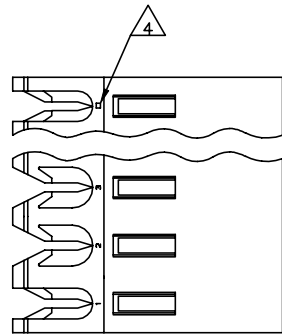


THIS DRAWING IS UNPUBLISHED. RELEASED FOR PUBLICATION
 © COPYRIGHT - By - ALL RIGHTS RESERVED.

LOC		DIST		REVISIONS				
P	LTN	DESCRIPTION		DATE	DN	APD		
T		REVISED PER	ECR-20-000824	29MAY2020	PC	SW		



DIM A	NO OF CIRCUITS	PART NO
95.10 [3.744]	24	5-640607-4
91.14 [3.588]	23	5-640607-3
87.17 [3.432]	22	5-640607-2
83.21 [3.276]	21	5-640607-1
79.25 [3.120]	20	5-640607-0
75.29 [2.964]	19	4-640607-9
71.32 [2.808]	18	4-640607-8
67.36 [2.652]	17	4-640607-7
63.40 [2.496]	16	4-640607-6
59.44 [2.340]	15	4-640607-5
55.47 [2.184]	14	4-640607-4
51.51 [2.028]	13	4-640607-3
47.55 [1.872]	12	4-640607-2
43.59 [1.716]	11	4-640607-1
39.62 [1.560]	10	4-640607-0
35.66 [1.404]	9	3-640607-9
31.70 [1.248]	8	3-640607-8
27.74 [1.092]	7	3-640607-7
23.77 [0.936]	6	3-640607-6
19.81 [0.780]	5	3-640607-5
15.85 [0.624]	4	3-640607-4
11.89 [0.468]	3	3-640607-3
7.92 [0.312]	2	3-640607-2
95.10 [3.744]	24	5-640607-4
91.14 [3.588]	23	5-640607-3
87.17 [3.432]	22	5-640607-2
83.21 [3.276]	21	5-640607-1
79.25 [3.120]	20	5-640607-0
75.29 [2.964]	19	4-640607-9
71.32 [2.808]	18	4-640607-8
67.36 [2.652]	17	4-640607-7
63.40 [2.496]	16	4-640607-6
59.44 [2.340]	15	4-640607-5
55.47 [2.184]	14	4-640607-4
51.51 [2.028]	13	4-640607-3
47.55 [1.872]	12	4-640607-2
43.59 [1.716]	11	4-640607-1
39.62 [1.560]	10	4-640607-0
35.66 [1.404]	9	3-640607-9
31.70 [1.248]	8	3-640607-8
27.74 [1.092]	7	3-640607-7
23.77 [0.936]	6	3-640607-6
19.81 [0.780]	5	3-640607-5
15.85 [0.624]	4	3-640607-4
11.89 [0.468]	3	3-640607-3
7.92 [0.312]	2	3-640607-2

- 1 MATERIAL: CONNECTOR - NYLON UL94V-2 (WHITE)
CONTACTS - 0.30[.012] THICK COPPER ALLOY (BRIGHT TIN-LEAD 0.00203[.000080] MIN. THICK FOR CONTACTS 640607-2 THRU 2-640607-4) (MATTE WHISKER MITIGATED TIN 0.00203[.000080] MIN THICKNESS OVER NICKEL UNDERPLATE FOR 3-640607-2 THRU 5-640607-4).
- 2 CONTACTS ACCEPT 24 AWG WIRE WITH 2.41[.095] MAX INSULATION DIAMETER.
- 3 CONTACTS MUST ACCEPT 1.14±0.03[.045±.001] SQUARE POST AND REMAIN LOCKED IN POSITION.
- 4 IDENTIFICATION NUMBER FOR LAST CIRCUIT MAY NOT APPEAR ON ALL ASSEMBLIES.
- 5 DIMENSIONS IN BRACKETS ARE IN INCHES.
- 6 HOUSING FEATURES ARE: FEED-THRU WITHOUT LOCKING RAMP.
- 7 OBSOLETE PARTS: OBSOLETE CIS STREAMLINING PER D.RENAUD/D.SINISI
- 8 OBSOLETE PARTS

THIS DRAWING IS A CONTROLLED DOCUMENT.

DRW: B. LEWIS 12FEB91
 CHK: R. SWING 12FEB91
 APD: D. CLARK 19FEB91

TE Connectivity
 MTA-156 CONNECTOR ASSEMBLY, 24 AWG, STANDARD

108-1051
 APPLICATION SPEC 114-1020

MATERIAL: 1
 FINISH: 1

SIZE: A2 CAGE CODE: 00779 DRAWING NO: 640607 RESTRICTED TO: -
 WEIGHT: CUSTOMER DRAWING SCALE: 4:1 SHEET: 1 OF 1 REV: T

X-ON Electronics

Largest Supplier of Electrical and Electronic Components

Click to view similar products for [Headers & Wire Housings](#) category:

Click to view products by [TE Connectivity](#) manufacturer:

Other Similar products are found below :

[892-18-020-10-001101](#) [58102-G61-06LF](#) [582553-1](#) [0009485154](#) [009176003701906](#) [0050291907](#) [LY20-4P-DT1-P1E-BR](#) [02.125.8002.8](#)
[609-3404](#) [61062-3](#) [61082-181009](#) [622-3653LF](#) [63453-116](#) [636-1030](#) [636-1427](#) [636-3427](#) [636-4007](#) [641938-9](#) [641991-4](#) [644827-2](#) [65817-010LF](#) [65817-015LF](#) [65863-015LF](#) [66207-023LF](#) [67095-007LF](#) [67601157](#) [68645-018](#) [68648-049](#) [70.362.1628.0](#) [70-4210](#) [70-4226B](#) [70-4853B](#) [707-5020](#) [707-5028](#) [71.350.2428.0](#) [71918-208LF](#) [71961-016LF](#) [733-134](#) [733-162](#) [754199-000](#) [760-3052](#) [787-8014-00](#) [79531-3000](#)
[FCN-360C032-B](#) [FCN-367T-T012/H](#) [FCN-723D010/2](#) [80.063.4001.1](#) [800-90-001-10-001000](#) [800-90-010-10-002000](#) [801-43-002-10-013000](#)