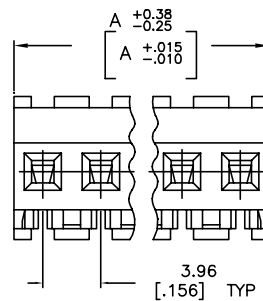
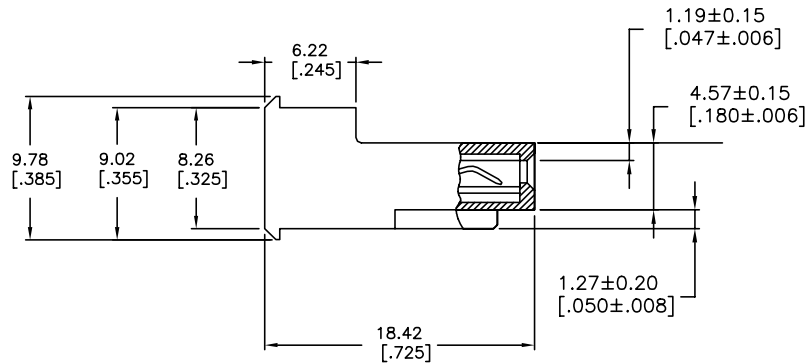
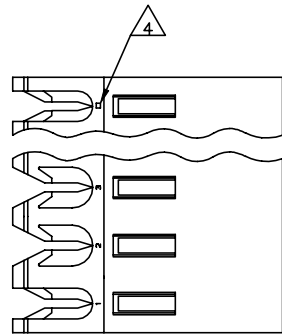


THIS DRAWING IS UNPUBLISHED. RELEASED FOR PUBLICATION  
 © COPYRIGHT - By - ALL RIGHTS RESERVED.

LOC	DIST	REVISIONS					
CM	54	P	LTN	DESCRIPTION	DATE	DWN	APVD
		T		REVISED PER ECR-20-000824	29MAY2020	PC	SW



	DIM A	NO OF CIRCUITS	PART NO	
	95.10	[3.744]	24	5-640607-4
	91.14	[3.588]	23	5-640607-3
	87.17	[3.432]	22	5-640607-2
	83.21	[3.276]	21	5-640607-1
	79.25	[3.120]	20	5-640607-0
	75.29	[2.964]	19	4-640607-9
	71.32	[2.808]	18	4-640607-8
	67.36	[2.652]	17	4-640607-7
	63.40	[2.496]	16	4-640607-6
	59.44	[2.340]	15	4-640607-5
	55.47	[2.184]	14	4-640607-4
	51.51	[2.028]	13	4-640607-3
	47.55	[1.872]	12	4-640607-2
	43.59	[1.716]	11	4-640607-1
	39.62	[1.560]	10	4-640607-0
	35.66	[1.404]	9	3-640607-9
	31.70	[1.248]	8	3-640607-8
	27.74	[1.092]	7	3-640607-7
	23.77	[.936]	6	3-640607-6
	19.81	[.780]	5	3-640607-5
	15.85	[.624]	4	3-640607-4
	11.89	[.468]	3	3-640607-3
	7.92	[.312]	2	3-640607-2
SUPERSEDED	95.10	[3.744]	24	<del>5-640607-4</del>
	91.14	[3.588]	23	<del>5-640607-3</del>
	87.17	[3.432]	22	<del>5-640607-2</del>
	83.21	[3.276]	21	<del>5-640607-1</del>
SUPERSEDED	79.25	[3.120]	20	<del>5-640607-0</del>
	75.29	[2.964]	19	<del>4-640607-9</del>
	71.32	[2.808]	18	<del>4-640607-8</del>
	67.36	[2.652]	17	<del>4-640607-7</del>
SUPERSEDED	63.40	[2.496]	16	<del>4-640607-6</del>
	59.44	[2.340]	15	<del>4-640607-5</del>
SUPERSEDED	55.47	[2.184]	14	<del>4-640607-4</del>
	51.51	[2.028]	13	<del>4-640607-3</del>
SUPERSEDED	47.55	[1.872]	12	<del>4-640607-2</del>
	43.59	[1.716]	11	<del>4-640607-1</del>
SUPERSEDED	39.62	[1.560]	10	<del>4-640607-0</del>
	35.66	[1.404]	9	<del>3-640607-9</del>
SUPERSEDED	31.70	[1.248]	8	<del>3-640607-8</del>
	27.74	[1.092]	7	<del>3-640607-7</del>
SUPERSEDED	23.77	[.936]	6	<del>3-640607-6</del>
	19.81	[.780]	5	<del>3-640607-5</del>
	15.85	[.624]	4	<del>3-640607-4</del>
	11.89	[.468]	3	<del>3-640607-3</del>
SUPERSEDED	7.92	[.312]	2	<del>3-640607-2</del>

1 MATERIAL: CONNECTOR - NYLON UL94V-2 (WHITE)  
 CONTACTS - 0.30[.012] THICK COPPER ALLOY  
 (BRIGHT TIN-LEAD 0.00203[.000080] MIN. THICK  
 FOR CONTACTS 640607-2 THRU 2-640607-4)  
 (MATTE WHISKER MITIGATED TIN 0.00203[.000080] MIN  
 THICKNESS OVER NICKEL UNDERPLATE FOR  
 3-640607-2 THRU 5-640607-4).

2 CONTACTS ACCEPT 24 AWG WIRE WITH 2.41[.095] MAX INSULATION DIAMETER.  
 3 CONTACTS MUST ACCEPT 1.14±0.03[.045±.001] SQUARE POST AND REMAIN LOCKED IN POSITION.

4 IDENTIFICATION NUMBER FOR LAST CIRCUIT MAY NOT APPEAR ON ALL ASSEMBLIES.

5 DIMENSIONS IN BRACKETS ARE IN INCHES.

6 HOUSING FEATURES ARE: FEED-THRU WITHOUT LOCKING RAMP.

7 OBSOLETE PARTS: OBSOLETE CIS STREAMLINING PER D.RENAUD/D.SINISI  
 8 OBSOLETE PARTS

THIS DRAWING IS A CONTROLLED DOCUMENT. DWN: B. LEWIS 12FEB91  
 CHK: R. SWING 12FEB91  
 APVD: D. CLARK 19FEB91

TE Connectivity  
 MTA-156 CONNECTOR ASSEMBLY,  
 24 AWG, STANDARD

108-1051  
 114-1020

MATERIAL: 1  
 FINISH: 1

SIZE: A2 CAGE CODE: 00779 DRAWING NO: 640607 RESTRICTED TO: -  
 WEIGHT: CUSTOMER DRAWING SCALE: 4:1 SHEET: 1 OF 1 REV: T

## X-ON Electronics

Largest Supplier of Electrical and Electronic Components

*Click to view similar products for [Headers & Wire Housings](#) category:*

*Click to view products by [TE Connectivity](#) manufacturer:*

Other Similar products are found below :

[95000-104TRLF](#) [10135584-644402LF](#) [DF62W-EP2022PCA](#) [95000-106TRLF](#) [DF62W-2022SCA](#) [DF62W-EP2022PC](#) [2203348](#) [DF62W-2022SC](#) [1084018](#) [1029039](#) [1084017](#) [802-10-012-10-002000](#) [1112640](#) [1112639](#) [000-34000](#) [0009482033](#) [0009507031](#) [57102-S06-03LF](#) [57202-S52-04LF](#) [PCN6-15S-2.5E](#) [0039019024](#) [58102-G61-06LF](#) [582553-1](#) [0009508121](#) [0050291907](#) [018731A](#) [LY20-4P-DT1-P1E-BR](#) [02.125.8002.8](#) [60101931](#) [60598-1 \(Cut Strip\)](#) [M1625-3R/100](#) [61062-3](#) [61082-181009](#) [636-1427](#) [638009-1](#) [641938-9](#) [641991-4](#) [644168-1](#) [647662-1](#) [65039-019ELF](#) [65817-002LF](#) [65817-015LF](#) [65863-015LF](#) [66207-023LF](#) [67016-026LF](#) [67046-001LF](#) [67095-007LF](#) [68002-116](#) [68016-236H](#) [68648-049](#)