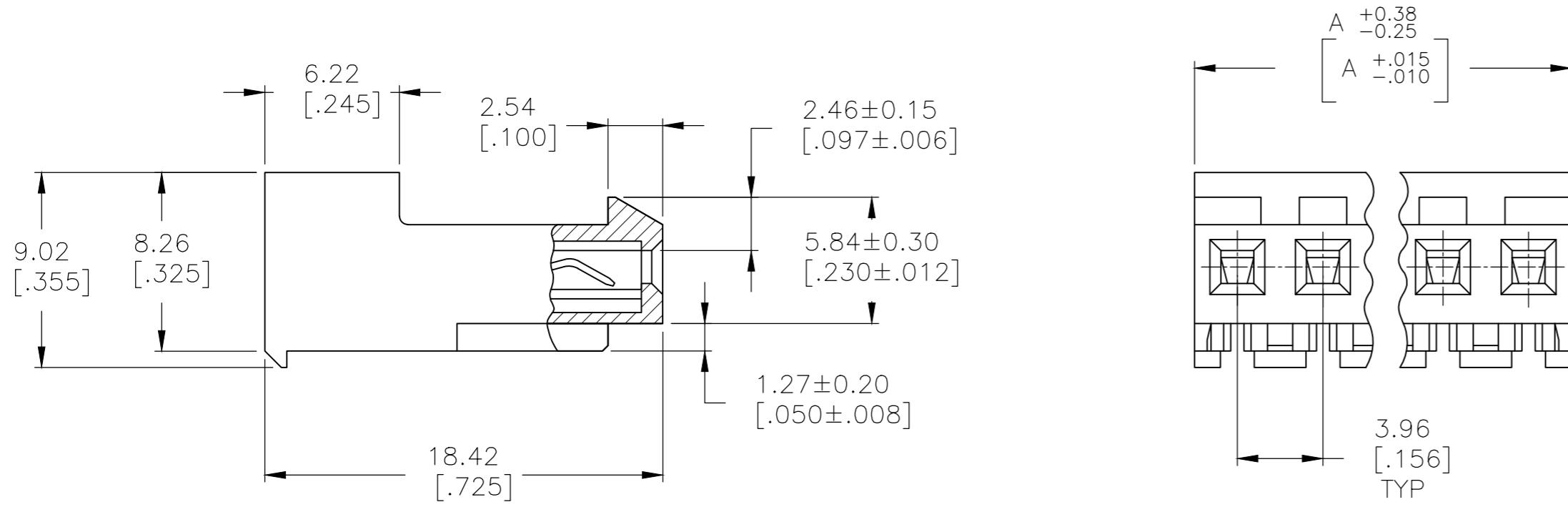
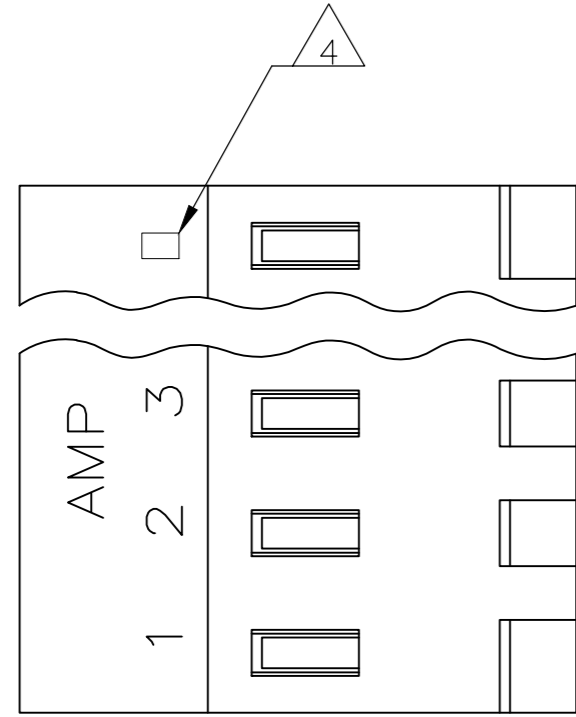


THIS DRAWING IS UNPUBLISHED. RELEASED FOR PUBLICATION
 © COPYRIGHT - By - TE CONNECTIVITY ALL RIGHTS RESERVED.

LOC		DIST		REVISIONS			
P	LTR	DESCRIPTION		DATE	DWN	APVD	
CM	54	U		REVISED PER ECR-20-000822	27MAY2020	PC SW	



DIM A	NO OF CIRCUITS	PART NO
95.10 [3.744]	24	5-641219-4
91.14 [3.588]	23	5-641219-3
87.17 [3.432]	22	5-641219-2
83.21 [3.276]	21	5-641219-1
79.25 [3.120]	20	5-641219-0
75.29 [2.964]	19	4-641219-9
71.32 [2.808]	18	4-641219-8
67.36 [2.652]	17	4-641219-7
63.40 [2.496]	16	4-641219-6
59.44 [2.340]	15	4-641219-5
55.47 [2.184]	14	4-641219-4
51.51 [2.028]	13	4-641219-3
47.55 [1.872]	12	4-641219-2
43.59 [1.716]	11	4-641219-1
39.62 [1.560]	10	4-641219-0
35.66 [1.404]	9	3-641219-9
31.70 [1.248]	8	3-641219-8
27.74 [1.092]	7	3-641219-7
23.77 [.936]	6	3-641219-6
19.81 [.780]	5	3-641219-5
15.85 [.624]	4	3-641219-4
11.89 [.468]	3	3-641219-3
7.92 [.312]	2	3-641219-2

7	SUPERCEDED BY 5-641219-4	95.10 [3.744]	24	2-641219-4
7	SUPERCEDED BY 5-641219-3	91.14 [3.588]	23	2-641219-3
7	SUPERCEDED BY 5-641219-2	87.17 [3.432]	22	2-641219-2
7	SUPERCEDED BY 5-641219-1	83.21 [3.276]	21	2-641219-1
7	SUPERCEDED BY 5-641219-0	79.25 [3.120]	20	2-641219-0
7	SUPERCEDED BY 4-641219-9	75.29 [2.964]	19	1-641219-9
7	SUPERCEDED BY 4-641219-8	71.32 [2.808]	18	1-641219-8
7	SUPERCEDED BY 4-641219-7	67.36 [2.652]	17	1-641219-7
7	SUPERCEDED BY 4-641219-6	63.40 [2.496]	16	1-641219-6
7	SUPERCEDED BY 4-641219-5	59.44 [2.340]	15	1-641219-5
7	SUPERCEDED BY 4-641219-4	55.47 [2.184]	14	1-641219-4
7	SUPERCEDED BY 4-641219-3	51.51 [2.028]	13	1-641219-3
	OBSOLETE	47.55 [1.872]	12	1-641219-2
7	SUPERCEDED BY 4-641219-1	43.59 [1.716]	11	1-641219-1
7	SUPERCEDED BY 4-641219-0	39.62 [1.560]	10	1-641219-0
	OBSOLETE	35.66 [1.404]	9	-641219-9
	OBSOLETE	31.70 [1.248]	8	-641219-8
	OBSOLETE	27.74 [1.092]	7	-641219-7
7	SUPERCEDED BY 3-641219-6	23.77 [.936]	6	641219-6
	OBSOLETE	19.81 [.780]	5	-641219-5
	OBSOLETE	15.85 [.624]	4	-641219-4
	OBSOLETE	11.89 [.468]	3	-641219-3
	OBSOLETE	7.92 [.312]	2	-641219-2

- 1 MATERIAL: CONNECTOR - NYLON UL94V-2(RED).
CONTACTS - 0.30[.012] THICK COPPER ALLOY
0.00076[.000030] GOLD THK OR 0.00008[.000003] MIN THK
GOLD FLASH OVER 0.00068[.000027] THK PALLADIUM NICKEL,
PER TE CONNECTIVITY'S DISCRETION. IN CONTACT
AREA WITH MATTE TIN FOR 641219-2
THRU 2-641219-4, MATTE WHISKER MITIGATED TIN FOR 3-641219-2
THRU 5-641219-4 OVER NICKEL UNDERPLATE.
- 2 CONTACTS ACCEPT 22 AWG WIRE WITH 2.41[.095] MAX
INSULATION DIAMETER.
- 3 CONTACTS MUST ACCEPT 1.14±0.03 [.045±.001] SQUARE
POST AND REMAIN LOCKED IN POSITION.
- 4 IDENTIFICATION NUMBER FOR LAST CIRCUIT MAY
NOT APPEAR ON ALL ASSEMBLIES.
- 5 DIMENSIONS IN BRACKETS ARE IN INCHES.
- 6 HOUSING FEATURES ARE: CLOSED END WITH LOCKING
RAMP.
- 7 OBSOLETE PARTS: OBSOLETE CIS STREAMLINING PER D.RENAUD/D.SINISI.

THIS DRAWING IS A CONTROLLED DOCUMENT.		DWN B. LEWIS 12 FEB 91	TE TE Connectivity	
DIMENSIONS: mm [INCHES]		CHK R. SWING 12 FEB 91		
TOLERANCES UNLESS OTHERWISE SPECIFIED:		APVD D. CLARK 20 FEB 91	NAME	
0 PLC ± -	1 PLC ± -	PRODUCT SPEC 108-1051	MTA-156 CONNECTOR ASSEMBLY, 22 AWG, STANDARD	
2 PLC ± -	3 PLC ± -	APPLICATION SPEC 114-1020	SIZE A2	CAGE CODE 00779
4 PLC ± -	ANGLES ± -	WEIGHT -	DRAWING NO C=641219	RESTRICTED TO -
MATERIAL 1	FINISH 1	CUSTOMER DRAWING	SCALE 4:1	SHEET 1 OF 1
			REV U	

X-ON Electronics

Largest Supplier of Electrical and Electronic Components

Click to view similar products for [Headers & Wire Housings](#) category:

Click to view products by [TE Connectivity](#) manufacturer:

Other Similar products are found below :

[892-18-020-10-001101](#) [58102-G61-06LF](#) [582553-1](#) [0009485154](#) [009176003701906](#) [0050291907](#) [LY20-4P-DT1-P1E-BR](#) [02.125.8002.8](#)
[609-3404](#) [61062-3](#) [61082-181009](#) [622-3653LF](#) [63453-116](#) [636-1030](#) [636-1427](#) [636-3427](#) [636-4007](#) [641938-9](#) [641991-4](#) [644827-2](#) [65817-010LF](#) [65817-015LF](#) [65863-015LF](#) [66207-023LF](#) [67095-007LF](#) [67601157](#) [68645-018](#) [68648-049](#) [70.362.1628.0](#) [70-4210](#) [70-4226B](#) [70-4853B](#) [707-5020](#) [707-5028](#) [71.350.2428.0](#) [71918-208LF](#) [71961-016LF](#) [733-134](#) [733-162](#) [754199-000](#) [760-3052](#) [787-8014-00](#) [79531-3000](#)
[FCN-360C032-B](#) [FCN-367T-T012/H](#) [FCN-723D010/2](#) [80.063.4001.1](#) [800-90-001-10-001000](#) [800-90-010-10-002000](#) [801-43-002-10-013000](#)