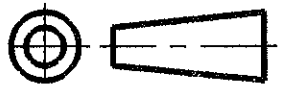


DO NOT SCALE

DIMENSIONS IN mm

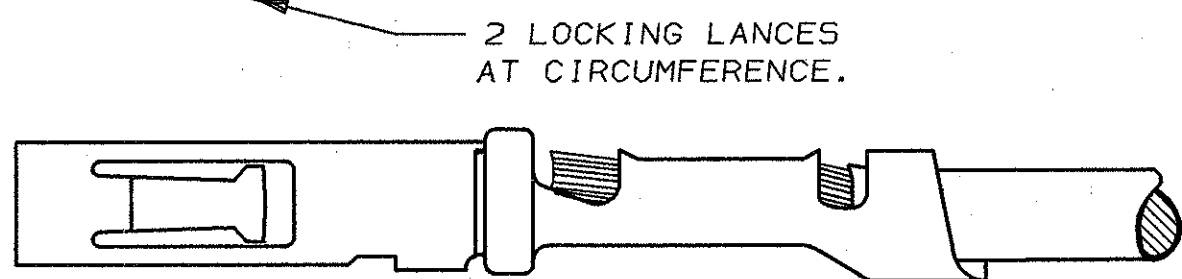
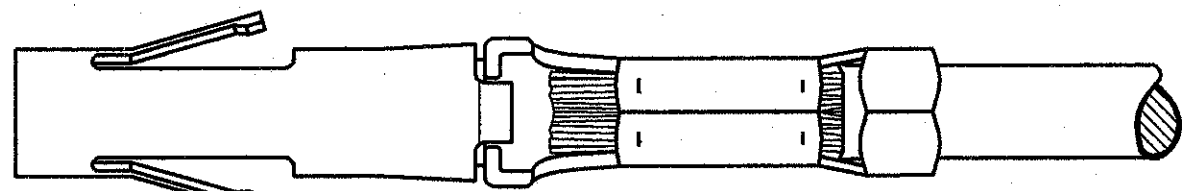
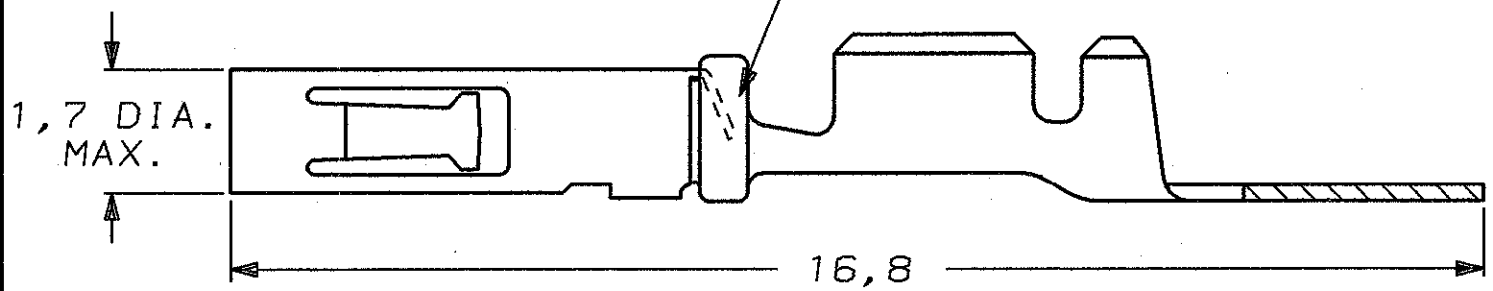
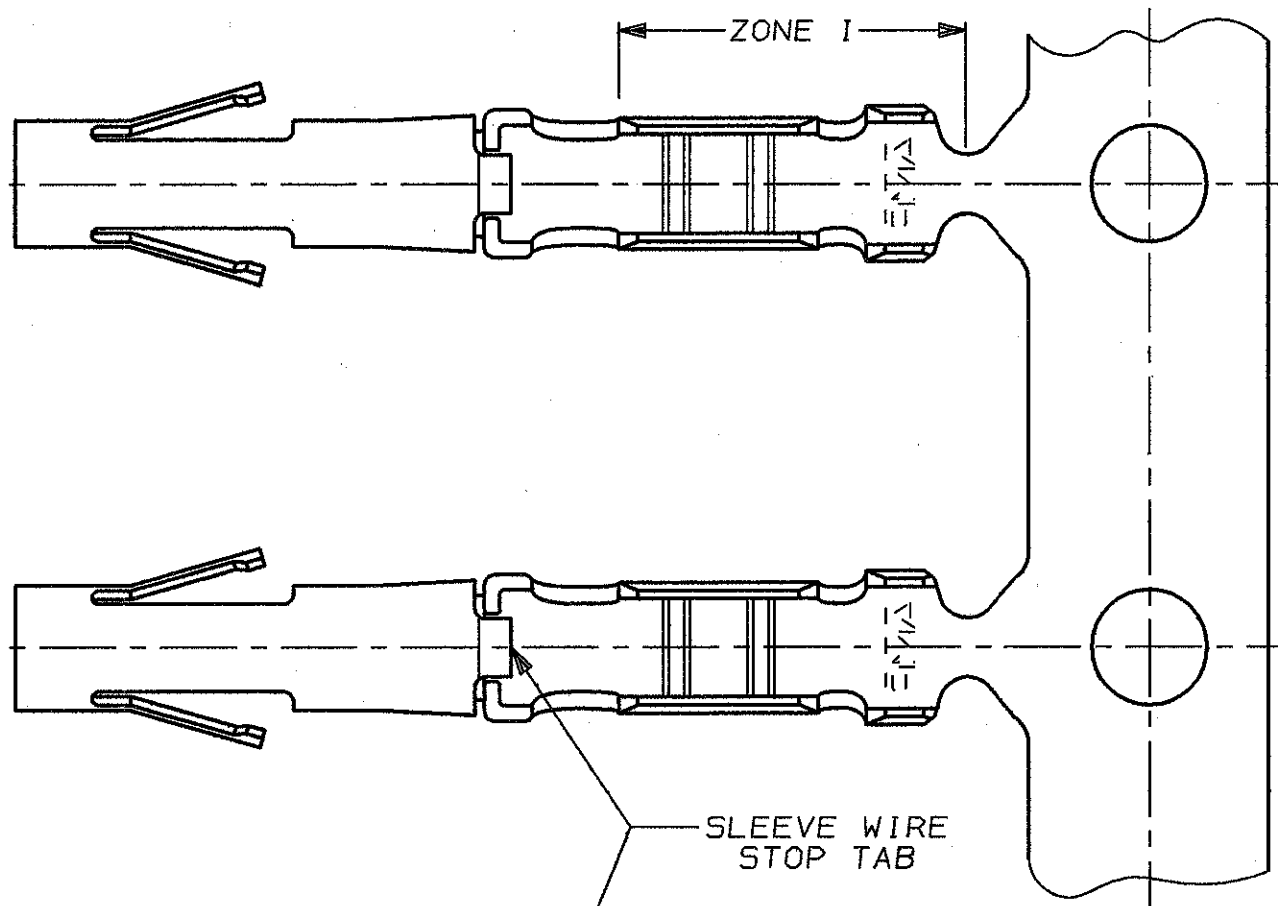
METRIC

THIRD ANGLE
PROJECTION



NOTES:

- 1 FOR USE ON MINIATURE APPLICATOR (LEFT-RIGHT FEED).
- 2 FOR USE ON STANDARD APPLICATOR (RIGHT-LEFT FEED)
- 3 FOR LOOSE-PIECE VERSIONS SEE DWG. 164169.
- 4 UNDERCOATING: 1,3µm Ni.
SELECTIVE : 0,8µm Au.
ZONE I : BRIGHT TIN/LEAD PLATED
- 5 UNDERCOATING: 1,27µm Ni.
SELECTIVE : 2,0µm Au.
REMAINDER : GOLDFLASH.
- 6 UNDERCOATING: 1,3µm Ni.
SELECTIVE : 0,8µm Au.
REMAINDER : GOLDFLASH.



WIRE RANGE :
20-24 AWG 0,2-0,56 mm²
INSULATION RANGE :
1,57 DIA. MAX.

SEE NOTE 5	STAINLESS STEEL	BRASS	1-164153-0	1
POST TINPLATED			164153-9	2
SEE NOTE 6			164153-8	2
SEE NOTE 4			164153-7	2
SEE NOTE 4			164153-6	1
PRETINNED			164153-5	2
PRETINNED			164153-4	1
POST TINPLATED			164153-2	1
SEE NOTE 6			164153-1	1
PLATING OF BODY			MATERIAL OF SLEEVE	MATERIAL OF BODY

-				-		-		-		CUSTOMER DRAWING		FOR REFERENCE ONLY WILL NOT BE UPDATED	
-				-		-		-		© COPYRIGHT 19-		BY AMP HOLLAND B.V.	
-				-		-		-		ALL INTERNATIONAL RIGHTS RESERVED. AMP PRODUCTS MAY BE COVERED BY U.S. AND FOREIGN AND/OR PATENTS PENDING.			
-				-		-		-		THIS DRAWING IS UNPUBLISHED RELEASED FOR PUBLICATION			
-				-		-		-		AMP		AMP HOLLAND B.V. s-Hertogenbosch, The Netherlands.	
-				-		-		-		NAME		HDR SOCKET CONTACT TYPE XI (CRIMP SNAP-IN)	
J	EH-0077-92			JvL	CvT	04-03-94				DWG.No.		C-164153	
LTR.	REVISION RECORD			DR.	CHK.	DATE				REV.LTR.		SHEET	
DR. : J.v.LIEMPT		CHK. : C.v.TILBURG		APP. : A.v.SOEST		DATE : 08-02-93				J		1 OF 1	
DATE : 6 JAN 1993		DATE : 08-02-93		DATE : 08-02-93								A3	

X-ON Electronics

Largest Supplier of Electrical and Electronic Components

Click to view similar products for [Pin & Socket Connectors](#) category:

Click to view products by [TE Connectivity](#) manufacturer:

Other Similar products are found below :

[6450822-1](#) [770392-1](#) [794042-1](#) [796885-1](#) [8-794535-1](#) [881459-2](#) [R929993003](#) [1-350779-3](#) [1403611-1](#) [1-480349-5](#) [1586092-1](#) [1586129-1](#)
[1586487-1](#) [1586681-4](#) [1586700-1](#) [1586065-1](#) [1586077-1](#) [1586368-1](#) [1586380-1](#) [1586680-5](#) [1586681-2](#) [1604996-1](#) [16-06-0038](#) [164164-5](#) [1-](#)
[6609930-1](#) [172296-1](#) [1-794714-6](#) [19-09-2035](#) [1969804-1](#) [200503-1](#) [200788-2](#) [201046-7](#) [202648-4](#) [2029076-2](#) [2029090-4](#) [2029095-4](#) [2-](#)
[66102-6](#) [925061-7](#) [926681-1](#) [293734-4](#) [293737-2](#) [1-765362-4](#) [1-794606-3](#) [1871534-1](#) [1969795-1](#) [1969798-1](#) [1969800-1](#) [200833-4](#)
[2008625-2](#) [2029027-2](#)