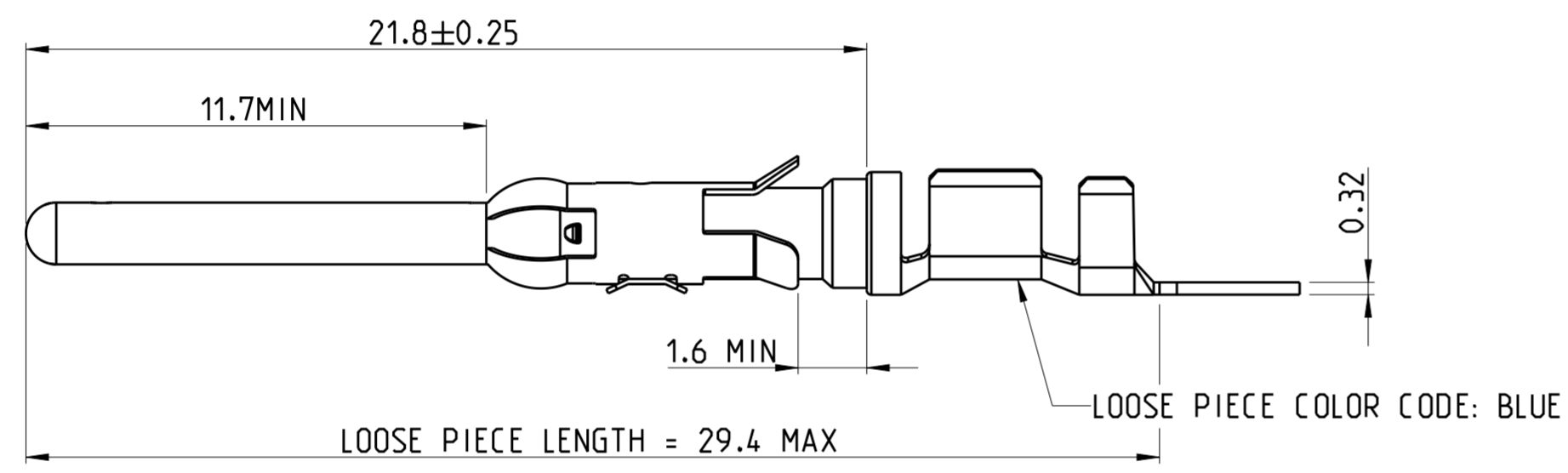
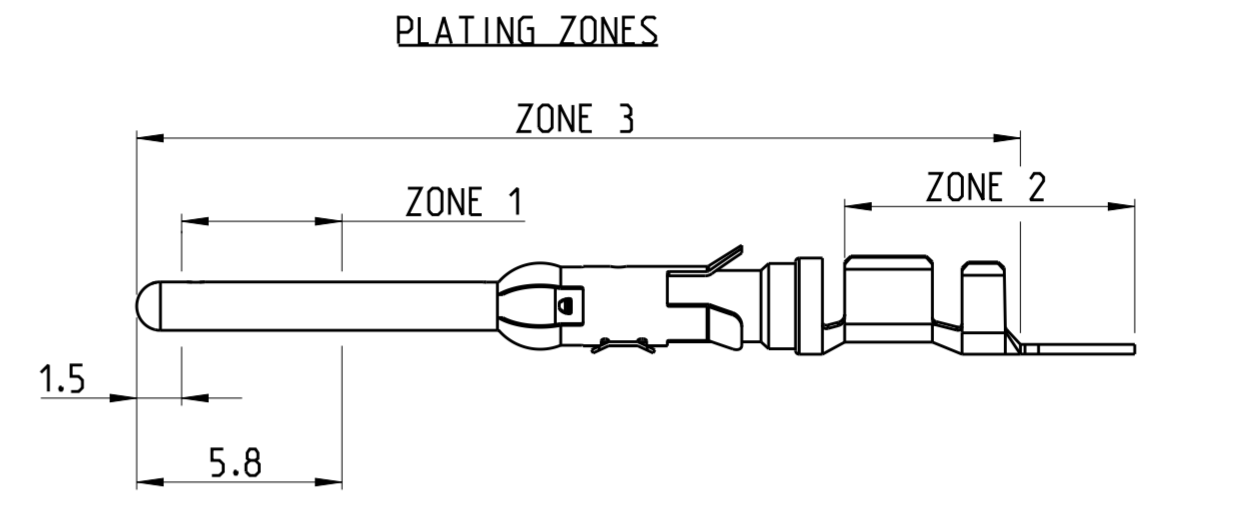
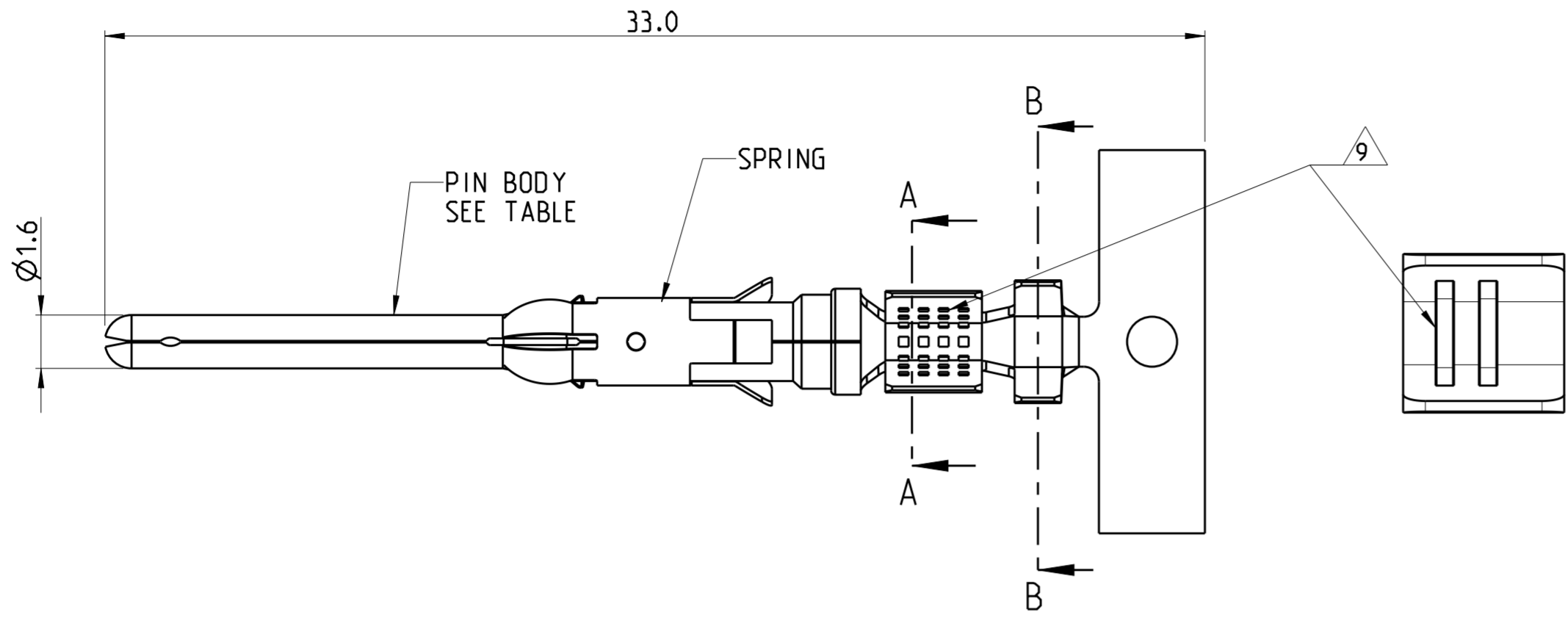


THIS DRAWING IS UNPUBLISHED. RELEASED FOR PUBLICATION 20
 (C) COPYRIGHT 20 BY - ALL RIGHTS RESERVED.

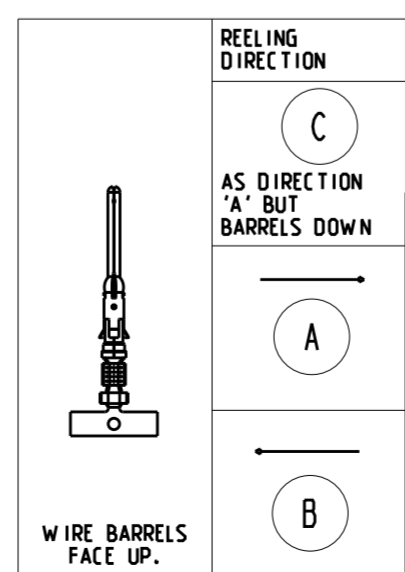
LOC	DIST	REVISIONS					
		P	LTR	DESCRIPTION	DATE	DWN	APVD
B	E	M1		COLOR CODE DETAILS ADDED	09JAN2014	TJ	JK
		M2		ADDITION OF NOTE 12. TEXT "REF" DIM 3 & 3.7 IN ZONE C1 & C2. "29.4 MAX" IN ZONE B3	21JULY2015	TJ	PS
		M3		PN 164161-5 OBSOLETE	03OCT2017	TJ	NG



NOTES

- 1. 1.27 MICRON MIN NICKEL PLATE OVER ZONE 3.
0.76 MICRON MIN PRECIOUS METAL PLATE OVER ZONE 1.
1 MICRON MIN TIN PLATE OVER ZONE 2.
CONFORMS TO THE REQUIREMENTS OF TE CONNECTIVITY PRODUCT SPEC 108-10042 BASED ON EIA/ECA-364-1000.01A (CONTROLLED ENVIRONMENT APPLICATIONS)
- 2. 1.27 MICRONS MIN NICKEL PLATE OVER ZONE 3.
0.76 MICRON MIN PRECIOUS METAL ELECTROPLATE OVER ZONE 1.
0.076 MICRON MIN GOLD FLASH PLATE OVER THE REMAINDER OF ZONE 3.
CONFORMS TO THE REQUIREMENTS OF TE CONNECTIVITY PRODUCT SPEC 108-10042 BASED ON EIA/ECA-364-1000.01A (CONTROLLED ENVIRONMENT APPLICATIONS)
- 3. 1.54 - 2.54 MICRON SILVER PLATE OVER ZONE 3.
- 4. 1.27 MICRON MIN NICKEL PLATE OVER ZONE 3.
0.76 MICRON MIN GOLD PLATE OVER ZONE 1.
0.076 MICRON MIN GOLDFLASH PLATE OVER THE REMAINDER OF ZONE 3.
- 5. 1.27 MICRON MIN NICKEL PLATE OVER ZONE 3.
0.76 MICRON MIN GOLD PLATE OVER ZONE 1.
1 MICRON MIN TIN PLATE OVER ZONE 2.
- 6. HOT-DIPPED PRETIN
- 7. 1.27 MICRONS MIN NICKEL PLATE OVER ZONE 3.
1 - 3 MICRON ELECTRO-TIN PLATE OVER ZONE 3
- 8. 0.76 MICRON MIN NICKEL PLATE OVER ZONE 3 PER QQ-N-290
1.5 - 2.54 MICRON SILVER PLATE OVER ZONE 3.
- 9. SERRATIONS CAN BE MULTI LOCK OR TWO SLOTS.
- 10. WIRE RANGE: 0.75 - 1.50 mm² (18-16 AWG)
- 11. INSULATION RANGE: 2.0 - 2.5 mm (.080-.100) DIA
- 12. OMISSION OF 6 CONTACTS MAX PER REEL OF 5000PCS

REELING	FINISH	SPRING MATERIAL	PIN BODY	LOOSE PIECE	PART NUMBER
A	2	STAINLESS STEEL	PHBR	164164-8	1-164161-5
A	3	STAINLESS STEEL	PHBR	164164-7	1-164161-3
B	3	STAINLESS STEEL	PHBR		1-164161-2
A	6	STAINLESS STEEL	BRASS	164164-6	1-164161-1
A	6	STAINLESS STEEL	BRASS	164164-5	164161-9
A	1	STAINLESS STEEL	BRASS	164164-4	164161-7
B	1	STAINLESS STEEL	BRASS		164161-6
A	2	STAINLESS STEEL	BRASS	164164-2	164161-4
A	7	STAINLESS STEEL	BRASS	164164-1	164161-3
B	2	STAINLESS STEEL	BRASS		164161-2



THIS DRAWING IS A CONTROLLED DOCUMENT.

DIMENSIONS:	TOLERANCES UNLESS OTHERWISE SPECIFIED:
mm	0 PLC ±0.5
	1 PLC ±0.25
	2 PLC ±0.15
	3 PLC ±0.15
	4 PLC ±
	ANGLES ±2°
MATERIAL	FINISH
SEE TABLE	SEE TABLE

APVD: J. BRIGHT 01JUN2012, J. AMBROSE 01JUN2012, M. GREENER 01JUN2012

PRODUCT SPEC: 108-10042

APPLICATION SPEC: 114-19000

WEIGHT: -

CUSTOMER DRAWING

SCALE: NTS

SHEET 1 OF 1

REV: M3

STE TE Connectivity

NAME: TYPE III+, SIZE 16, PIN ASS'Y LONG SERIES, 18-16 AWG, 2.0-2.5mm DIA INSULATION

SIZE: A2

CAGE CODE: 00779

DRAWING NO: 164161

RESTRICTED TO: -

X-ON Electronics

Largest Supplier of Electrical and Electronic Components

Click to view similar products for [Standard Circular Contacts](#) category:

Click to view products by [TE Connectivity](#) manufacturer:

Other Similar products are found below :

[RC16M23J](#) [133780-1](#) [RM20M13D28](#) [RM24M9D28](#) [RMMX110-1D28](#) [MS3474W10-6P L/C](#) [ELVP16100E](#) [164-901-CD](#) [EN3545007SCE](#)
[BV002BSQ20049CZ](#) [BV002SSQ160404CZ](#) [1900ND05S1B00B](#) [SJS862201](#) [166566-1](#) [1900ND04S1X00D](#) [ST-JL05-16S-C3-100](#) [ST-JL05-20S-C1-100](#) [ST-JL05-20S-C2-100](#) [T01-CRIMP-S03](#) [APK-SA16A07-002](#) [27963-15T12](#) [CONT-JL05-08S-C2-10](#) [CONT-JL05-12S-C1-10](#)
[RC16M-23T](#) [RFD26L-1D28](#) [BV002ASJ16049CW](#) [JN1-22-20S-R-PKG100](#) [031-50213](#) [031-50794](#) [SJS861301M](#) [ST-JL05-16S-C1-100](#) [ST-JL05-20P-C1-100](#) [82911466K](#) [82911467NK](#) [192991-0087](#) [192900-0570](#) [T3P16FC3LZ](#) [ST-JL05-16S-C2-3500](#) [ZP-4016-10NF](#) [CONT-JL05-12P-C1-10](#) [RM20M12G8D28](#) [031-50676](#) [12115010110](#) [RJFTVC2MG](#) [CAP-DACMDPC2](#) [031-50675-002](#) [CAP-DD1FDPC2](#) [CAP-DACMDPC1](#) [031-50966-010](#) [ASSP-10-F-A-C-SA](#)