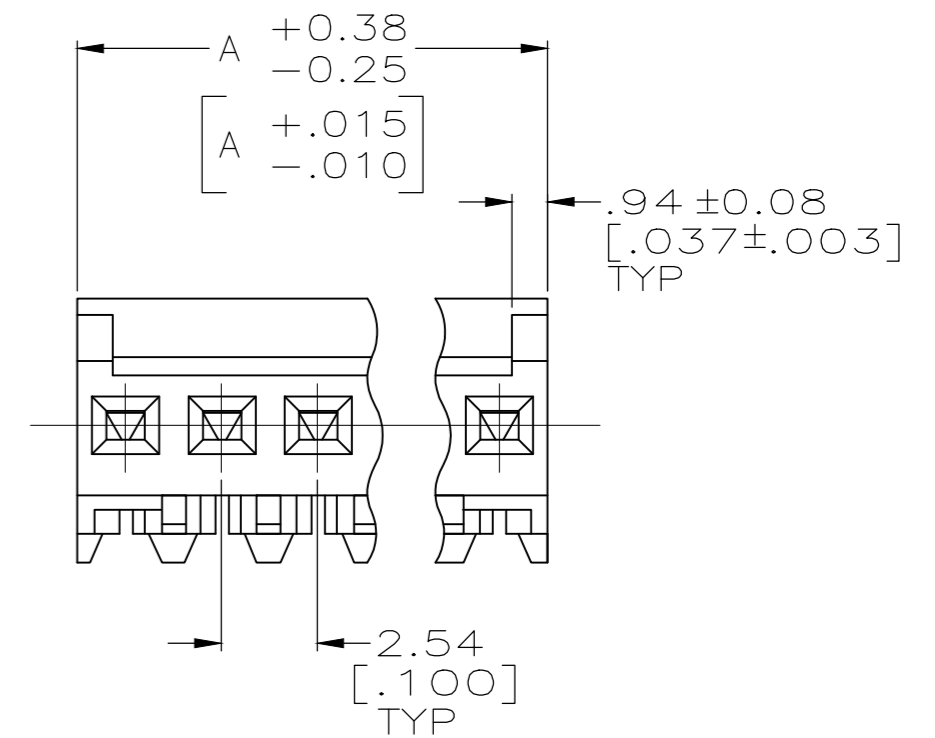
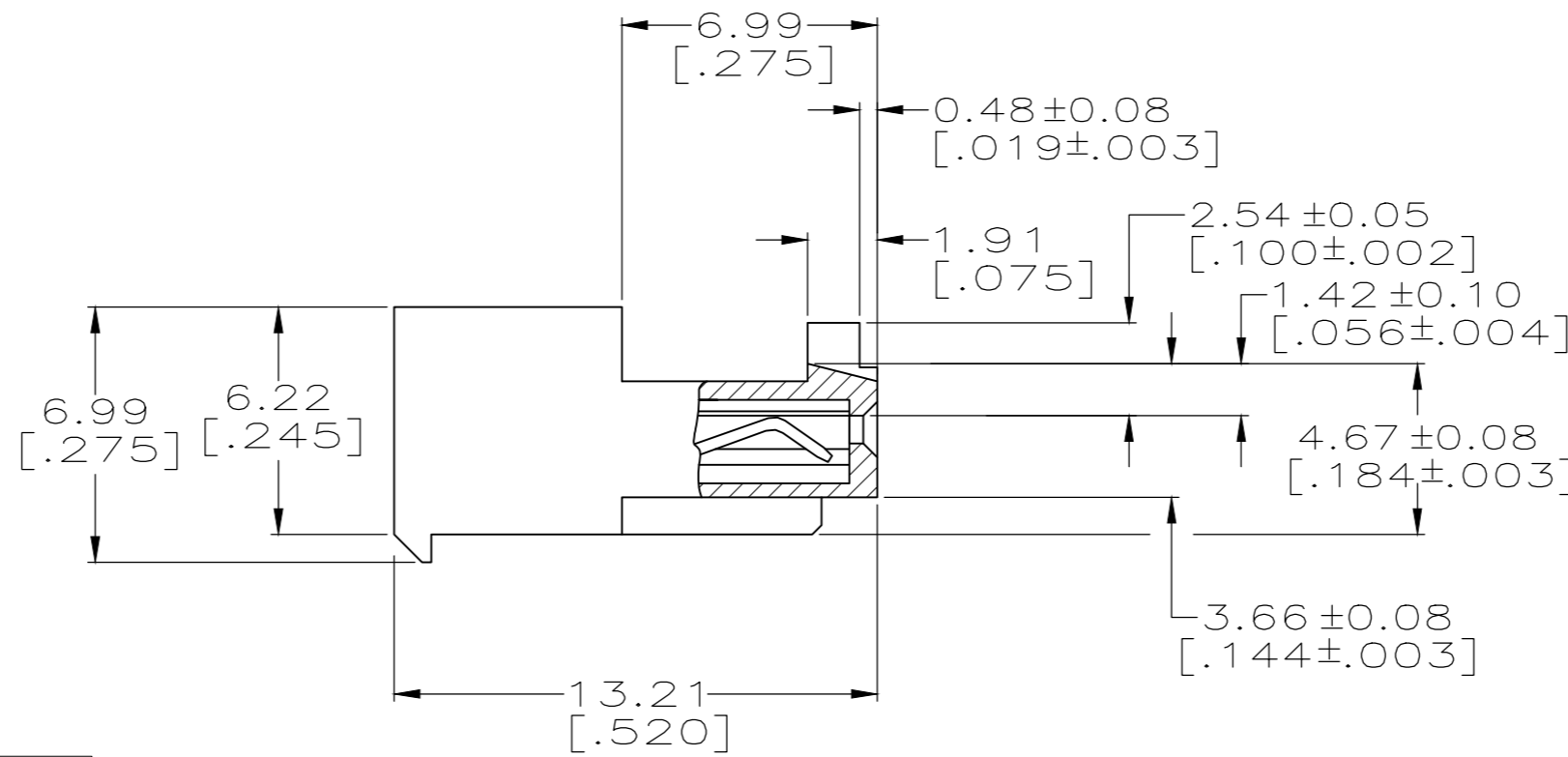
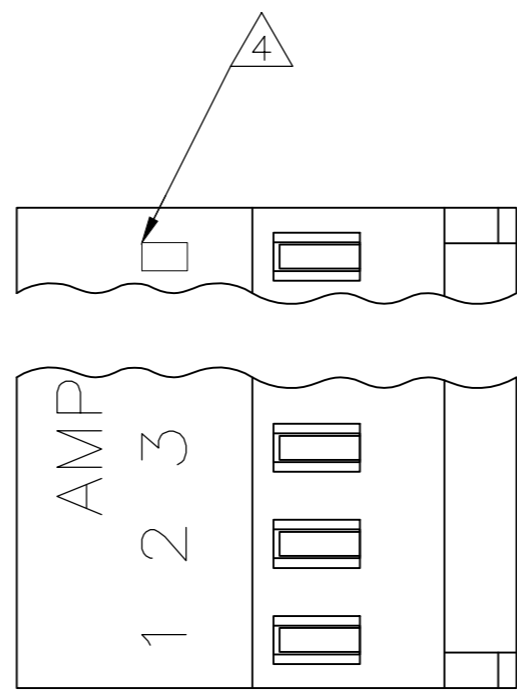


THIS DRAWING IS UNPUBLISHED. RELEASED FOR PUBLICATION
 © COPYRIGHT - By - ALL RIGHTS RESERVED.

| LOC | DIST | REVISIONS | | | |
|-----|------|---------------------------|-----------|-----|------|
| P | LTR | DESCRIPTION | DATE | DWN | APVD |
| CM | 00 | | | | |
| | K | REVISED PER ECR-20-000721 | 04MAR2020 | PC | SW |

| | | | |
|-----|--------------|----|------------|
| YES | 71.12[2.800] | 28 | 5-643814-8 |
| YES | 68.58[2.700] | 27 | 5-643814-7 |
| YES | 66.04[2.600] | 26 | 5-643814-6 |
| YES | 63.50[2.500] | 25 | 5-643814-5 |
| YES | 60.96[2.400] | 24 | 5-643814-4 |
| YES | 58.42[2.300] | 23 | 5-643814-3 |
| YES | 55.88[2.200] | 22 | 5-643814-2 |
| YES | 53.34[2.100] | 21 | 5-643814-1 |
| YES | 50.80[2.000] | 20 | 5-643814-0 |
| YES | 48.26[1.900] | 19 | 4-643814-9 |
| YES | 45.72[1.800] | 18 | 4-643814-8 |
| YES | 43.18[1.700] | 17 | 4-643814-7 |
| YES | 40.64[1.600] | 16 | 4-643814-6 |
| YES | 38.10[1.500] | 15 | 4-643814-5 |
| YES | 35.56[1.400] | 14 | 4-643814-4 |
| YES | 33.02[1.300] | 13 | 4-643814-3 |
| YES | 30.48[1.200] | 12 | 4-643814-2 |
| YES | 27.94[1.100] | 11 | 4-643814-1 |
| YES | 25.40[1.000] | 10 | 4-643814-0 |
| YES | 22.86[.900] | 9 | 3-643814-9 |
| YES | 20.32[.800] | 8 | 3-643814-8 |
| YES | 17.78[.700] | 7 | 3-643814-7 |
| YES | 15.24[.600] | 6 | 3-643814-6 |
| YES | 12.70[.500] | 5 | 3-643814-5 |
| YES | 10.16[.400] | 4 | 3-643814-4 |
| YES | 7.62[.300] | 3 | 3-643814-3 |
| YES | 5.08[.200] | 2 | 3-643814-2 |



| | | | | | |
|----------|--------------|-----------------|------------|--------------------------|---|
| NO | 71.12[2.800] | 28 | 2-643814-8 | SUPERSEDED BY 5-643814-8 | 7 |
| NO | 68.58[2.700] | 27 | 2-643814-7 | SUPERSEDED BY 5-643814-7 | 7 |
| NO | 66.04[2.600] | 26 | 2-643814-6 | SUPERSEDED BY 5-643814-6 | 7 |
| NO | 63.50[2.500] | 25 | 2-643814-5 | SUPERSEDED BY 5-643814-5 | 8 |
| NO | 60.96[2.400] | 24 | 2-643814-4 | SUPERSEDED BY 5-643814-4 | 7 |
| NO | 58.42[2.300] | 23 | 2-643814-3 | SUPERSEDED BY 5-643814-3 | 7 |
| NO | 55.88[2.200] | 22 | 2-643814-2 | SUPERSEDED BY 5-643814-2 | 7 |
| NO | 53.34[2.100] | 21 | 2-643814-1 | SUPERSEDED BY 5-643814-1 | 7 |
| NO | 50.80[2.000] | 20 | 2-643814-0 | SUPERSEDED BY 5-643814-0 | 8 |
| NO | 48.26[1.900] | 19 | 1-643814-9 | SUPERSEDED BY 4-643814-9 | 7 |
| NO | 45.72[1.800] | 18 | 1-643814-8 | SUPERSEDED BY 4-643814-8 | 8 |
| NO | 43.18[1.700] | 17 | 1-643814-7 | SUPERSEDED BY 4-643814-7 | 7 |
| NO | 40.64[1.600] | 16 | 1-643814-6 | SUPERSEDED BY 4-643814-6 | 8 |
| NO | 38.10[1.500] | 15 | 1-643814-5 | SUPERSEDED BY 4-643814-5 | 8 |
| NO | 35.56[1.400] | 14 | 1-643814-4 | SUPERSEDED BY 4-643814-4 | 8 |
| NO | 33.02[1.300] | 13 | 1-643814-3 | SUPERSEDED BY 4-643814-3 | 8 |
| NO | 30.48[1.200] | 12 | 1-643814-2 | SUPERSEDED BY 4-643814-2 | 8 |
| NO | 27.94[1.100] | 11 | 1-643814-1 | SUPERSEDED BY 4-643814-1 | 8 |
| NO | 25.40[1.000] | 10 | 1-643814-0 | SUPERSEDED BY 4-643814-0 | 8 |
| NO | 22.86[.900] | 9 | -643814-9 | SUPERSEDED BY 3-643814-9 | 8 |
| NO | 20.32[.800] | 8 | -643814-8 | SUPERSEDED BY 3-643814-8 | 8 |
| NO | 17.78[.700] | 7 | -643814-7 | SUPERSEDED BY 3-643814-7 | 8 |
| NO | 15.24[.600] | 6 | -643814-6 | SUPERSEDED BY 3-643814-6 | 8 |
| NO | 12.70[.500] | 5 | -643814-5 | SUPERSEDED BY 3-643814-5 | 8 |
| NO | 10.16[.400] | 4 | -643814-4 | SUPERSEDED BY 3-643814-4 | 8 |
| NO | 7.62[.300] | 3 | -643814-3 | SUPERSEDED BY 3-643814-3 | 8 |
| NO | 5.08[.200] | 2 | -643814-2 | SUPERSEDED BY 3-643814-2 | 8 |
| LEADFREE | DIM A | NO. OF CIRCUITS | PART NO. | | |

1 MATERIAL: CONNECTOR - NYLON UL94V-2 (WHITE).
 CONTACTS - 0.30[.012] THICK COPPER ALLOY
 BRIGHT TIN-LEAD .00203[.000080] MIN THICKNESS
 FOR 643814-2 THRU 2-643814-8.
 MATTE WHISKER MITIGATED TIN .00203[.000080] MIN THICKNESS
 OVER NICKEL UNDERPLATE FOR 3-643814-2 THRU 5-643814-8.

- 2. CONTACTS ACCEPT 24 AWG WIRE WITH 1.52[.060] MAX INSULATION DIAMETER.
- 3. CONTACTS MUST ACCEPT 0.64±0.03[.025] POST AND REMAIN LOCKED IN POSITION.

4 IDENTIFICATION NUMBER FOR LAST CIRCUIT MAY NOT APPEAR ON ALL ASSEMBLIES.

5. DIMENSIONS IN BRACKETS ARE IN INCHES.

6. HOUSING FEATURES ARE: CLOSED END WITH LOCKING RAMP AND WITH POLARIZING TAB.

7 OBSOLETE PARTS: OBSOLETE CIS STREAMLINING PER D.RENAUD/D.SINISI

8 OBSOLETE PARTS

| | | | | |
|--|--|----------------------------------|------|---|
| THIS DRAWING IS A CONTROLLED DOCUMENT. | | DWN S. CARPENTER 11JUN2003 | | |
| DIMENSIONS: mm [INCHES] | | CHK D. BOSSI 11JUN2003 | | |
| TOLERANCES UNLESS OTHERWISE SPECIFIED: | | APVD D. BOSSI 11JUN2003 | NAME | |
| 0 PLC ± | | PRODUCT SPEC | | MTA-100 CONNECTOR ASSEMBLY, 24 AWG, STANDARD |
| 1 PLC ± | | APPLICATION SPEC | | |
| 2 PLC ± | | 108-1050 | | SIZE |
| 3 PLC ± 0.13 [.005] | | 114-1019 | | CAGE CODE |
| 4 PLC ± | | WEIGHT | | DRAWING NO |
| FINISH | | A2 00779 | | RESTRICTED TO |
| MATERIAL | | C=643814 | | SCALE |
| 1 | | CUSTOMER DRAWING | | 5:1 |
| | | SHEET | | 1 OF 1 |
| | | REV | | K |

X-ON Electronics

Largest Supplier of Electrical and Electronic Components

Click to view similar products for [Headers & Wire Housings](#) category:

Click to view products by [TE Connectivity](#) manufacturer:

Other Similar products are found below :

[95000-104TRLF](#) [10135584-644402LF](#) [DF62W-EP2022PCA](#) [95000-106TRLF](#) [DF62W-2022SCA](#) [DF62W-EP2022PC](#) [2203348](#) [DF62W-2022SC](#) [1084018](#) [1029039](#) [1084017](#) [802-10-012-10-002000](#) [1112640](#) [1112639](#) [000-34000](#) [0009482033](#) [0009507031](#) [57102-S06-03LF](#) [57202-S52-04LF](#) [PCN6-15S-2.5E](#) [0039019024](#) [58102-G61-06LF](#) [582553-1](#) [0009508121](#) [0050291907](#) [018731A](#) [LY20-4P-DT1-P1E-BR](#) [02.125.8002.8](#) [60101931](#) [60598-1 \(Cut Strip\)](#) [M1625-3R/100](#) [61062-3](#) [61082-181009](#) [636-1427](#) [638009-1](#) [641938-9](#) [641991-4](#) [644168-1](#) [647662-1](#) [65039-019ELF](#) [65817-002LF](#) [65817-015LF](#) [65863-015LF](#) [66207-023LF](#) [67016-026LF](#) [67046-001LF](#) [67095-007LF](#) [68002-116](#) [68016-236H](#) [68648-049](#)