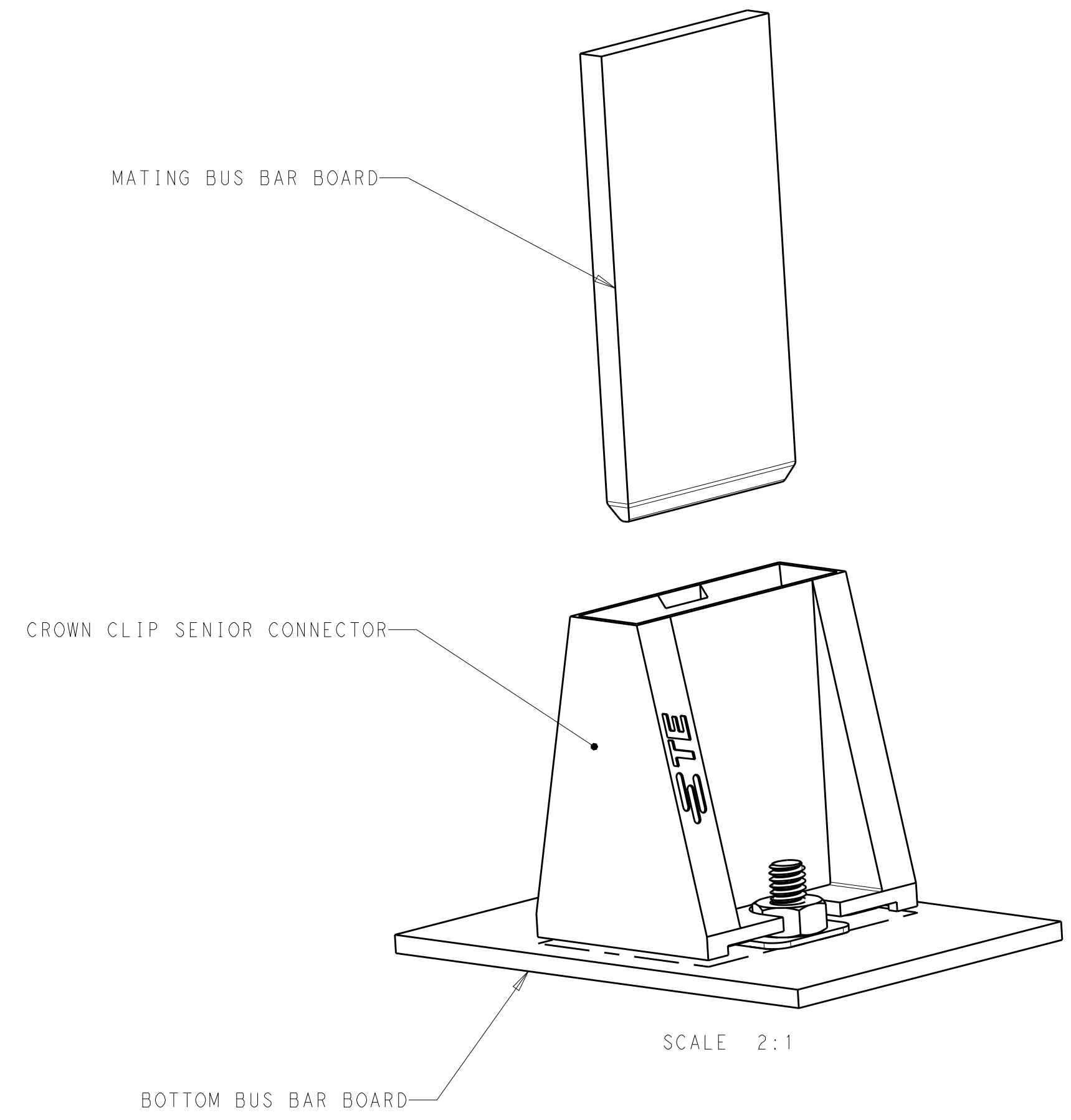
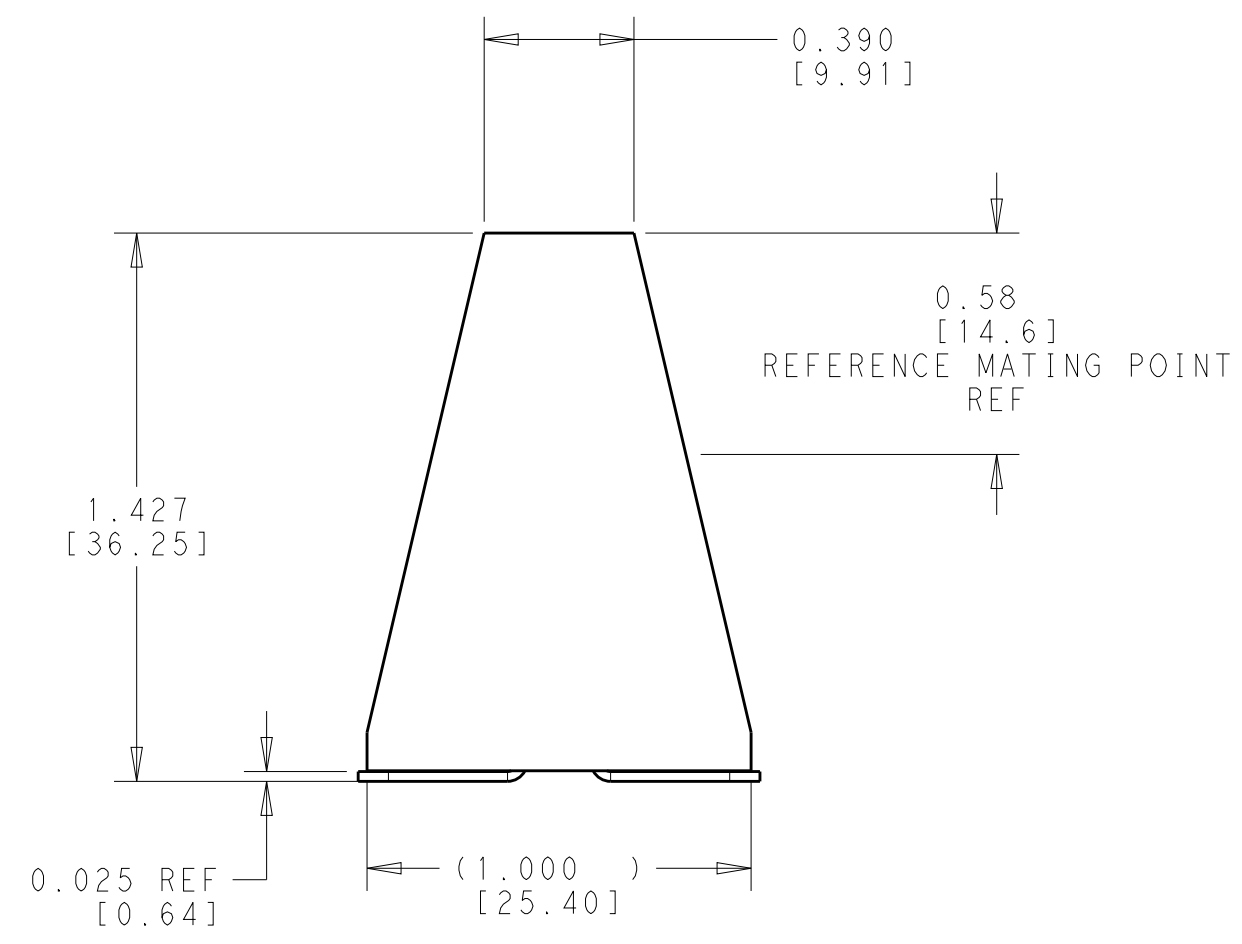
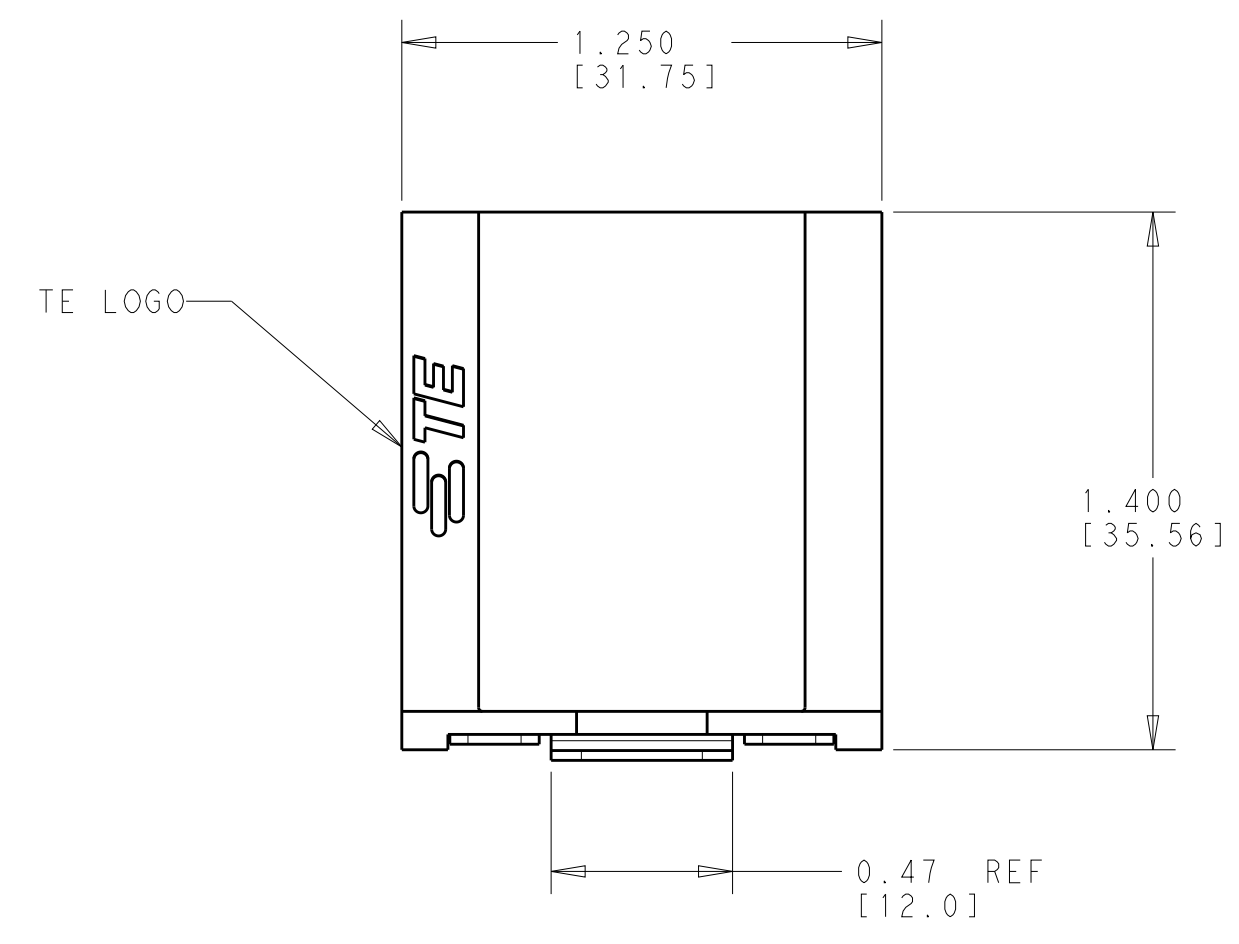
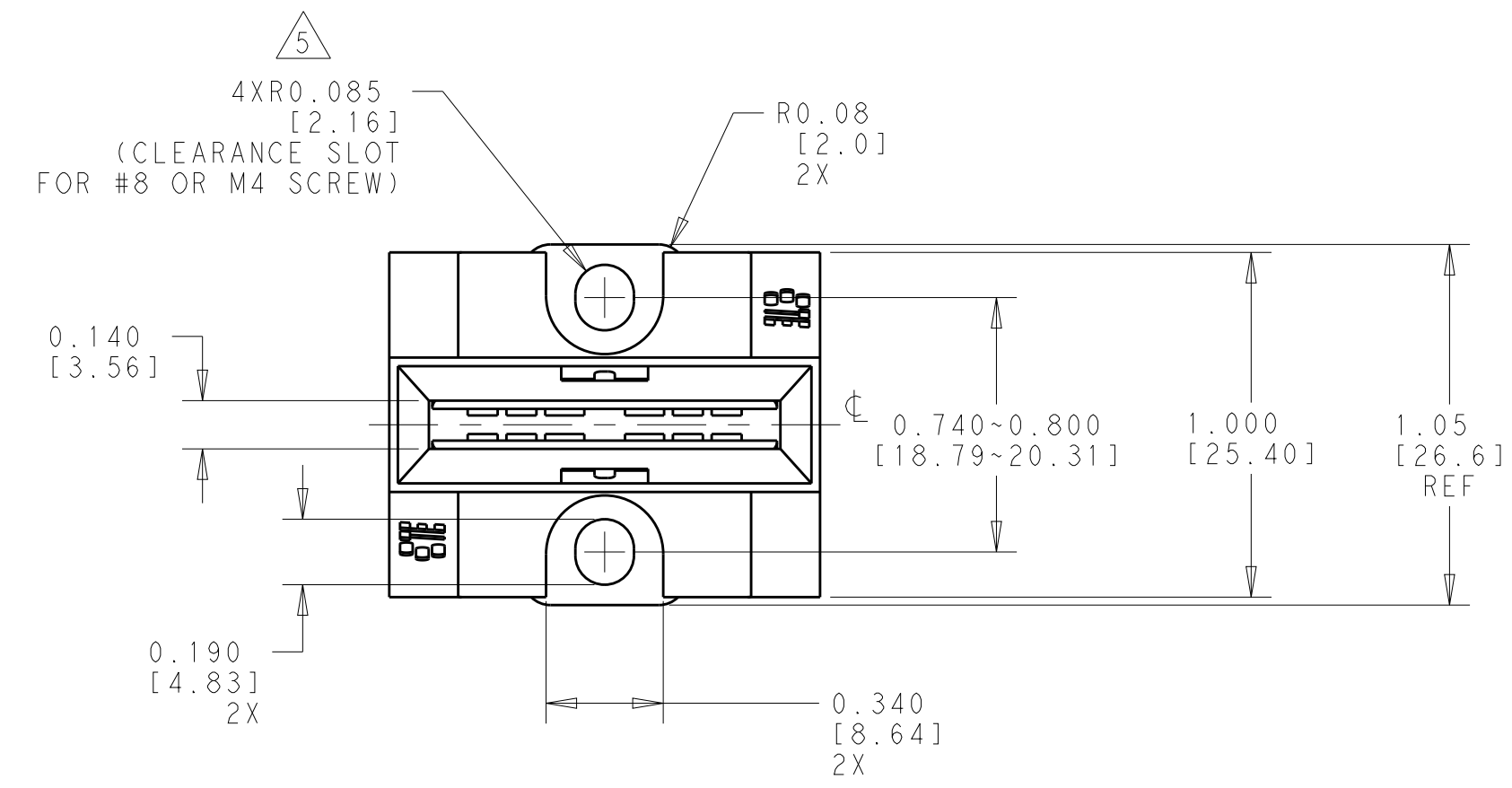


REVISIONS				
P.	LTN.	DESCRIPTION	DATE	APP'D.
C1	REV PER ECO-17-008954		05MAR2018	ML SZ



NOTES: UNLESS OTHERWISE SPECIFIED

- PART NUMBER CHANGES AND OR DESIGN CHANGES AFFECTING ITEM INTERCHANGEABILITY REQUIRE PRIOR TE CONNECTIVITY APPROVAL AND AUTHORIZATION BY REVISION TO THIS DRAWING.

- MATERIAL:  
 INSULATOR: THERMOPLASTIC, GLASS REINFORCED, UL94 V-0 FLAMMABILITY RATED, COLOR-BLACK.  
 CONTACT: COPPER ALLOY.  
 RECOMMENDED MATING BUS BAR:  
 MATERIAL: COPPER ALLOY C10100/C10200/C11000  
 GOLD PLATING BUSBAR: GOLD PLATING .000030 INCH MIN. THICK OVER NICKEL BASE-PLATED 0.000050-0.000300 INCH THICK IN CONTACT AREA OF MATING BUS BAR BOARD.  
 SILVER PLATING BUSBAR: SILVER PLATING .000118 INCH MIN. THICK OVER NICKEL BASE-PLATED 0.000050-0.000300 INCH THICK IN CONTACT AREA OF MATING BUS BAR BOARD.

- FINISHES I:  
 GOLD PLATING .000030 INCH MIN. THICK OVER NICKEL BASE-PLATED.000040 INCH MIN. THICK ON PRODUCT CONTACT INTERFACE.

- FINISHES II:  
 SILVER PLATING OVER NICKEL BASE-PLATED.000040 INCH MIN. THICK ON PRODUCT CONTACT INTERFACE.

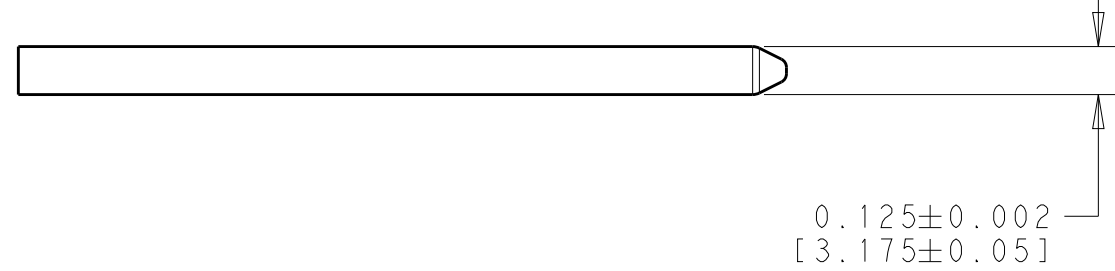
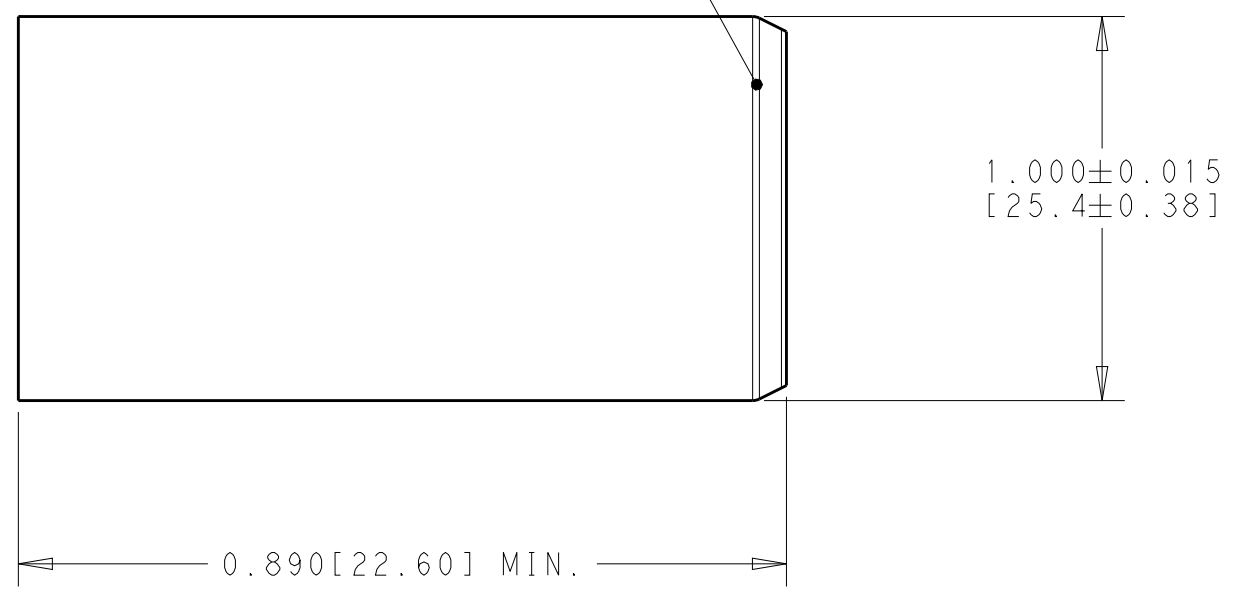
- USER SUPPLIED MOUNTING HARDWARE: #8 OR M4 SCREWS (2X)

- ALL DIMENSIONS SHOWN ACROSS A CENTERLINE (CL) SHALL BE CENTRALIZED WITHIN THE TOLERANCE INDICATED FOR THAT DIMENSION

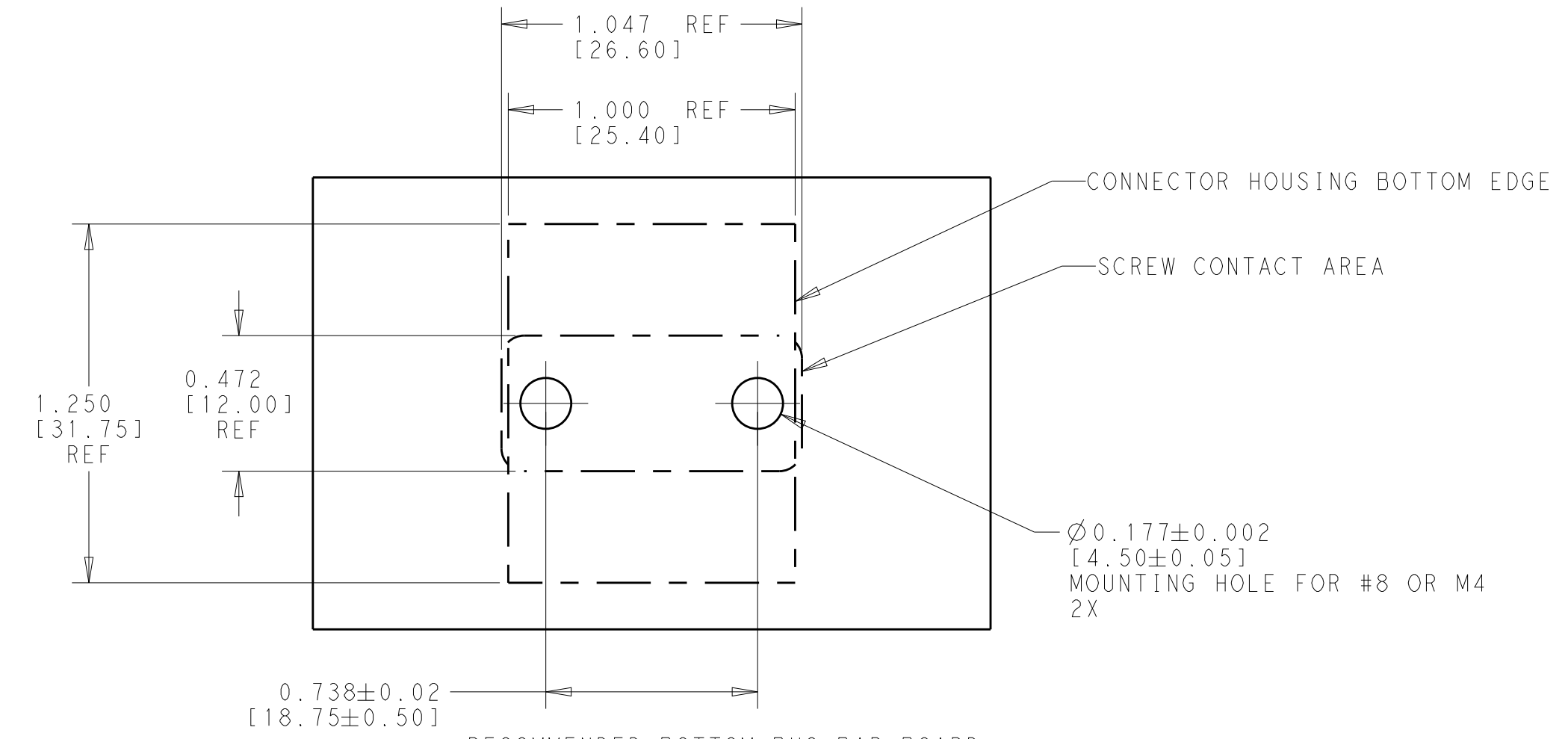
- ITEMS PROVIDED TO THIS SPECIFICATION TO BE PERMANENTLY IDENTIFIED PER THE FOLLOWING IDENTIFIER:  
 TE PART NUMBER AND DATE CODE (E.G. 0625, 06; YEAR, 25; WEEK)

- RECOMMENDED BOTTOM BUS BAR BOARD:  
 BOTTOM BUS BAR BOARD IS RECOMMENDED TO SCREW-MOUNT WITH CONNECTOR.  
 MATERIAL: COPPER ALLOY C10100/C10200/C11000  
 PLATING: TIN PLATING 0.000030-0.000300 INCH THICK OVER NICKEL BASE-PLATED 0.000050-0.000300 INCH THICK IN SCREW-MOUNTING AREA OF BOTTOM BUS BAR BOARD.

EDGE TREATMENT:  
 ROUND 1mm AFTER CHAMFER 1X2mm SHALL BE PREFERRED.  
 NO SHARP EDGE IN MATING AREA.



RECOMMENDED MATING BUS BAR BOARD



RECOMMENDED BOTTOM BUS BAR BOARD

MATING BUS BAR THICKNESS	REMARK	MATING BUS BAR PLATING	CONNECTOR PLATING	DESCRIPTION	PART NUMBER
3.17±0.05/-0.22 MM	--	SILVER	SILVER	CROWN CLIP SENIOR POWER CONNECTOR, SILVER PLATING	1643903-3
3.175±0.05 MM	LOW MATING FORCE VERSION	GOLD	GOLD	CROWN CLIP SENIOR POWER CONNECTOR, LOW FORCE VERSION	1643903-2
3.175±0.05/-0.22 MM	GENERAL VERSION	GOLD	GOLD	CROWN CLIP SENIOR POWER CONNECTOR, GENERAL	1643903-1

THIS DRAWING IS A CONTROLLED DOCUMENT.  
 DIMENSIONS: inch [mm]  
 TOLERANCES UNLESS OTHERWISE SPECIFIED:  
 0 PLC ±.1" (2.5)  
 1 PLC ±0.02" (0.5)  
 3 PLC ±0.010" (0.25)  
 4 PLC ±.005" (0.125)  
 ANGLES ±0.5°  
 MATERIAL: [Symbol]  
 FINISH: [Symbol]

APPROVED: SUNYI ZHAO 02/25/06  
 NAME: CUSTOMER DRAWING POWER CONNECTOR, SOCKET STRAIGHT MOUNT, CROWN CLIP II  
 SIZE: A1  
 SCALE: 1:1  
 SHEET: 1 OF 1  
 REV: C1

TE Connectivity  
 CUSTOMER DRAWING  
 POWER CONNECTOR, SOCKET STRAIGHT MOUNT, CROWN CLIP II  
 SCALE 1:1 SHEET 1 OF 1 REV C1

## X-ON Electronics

Largest Supplier of Electrical and Electronic Components

*Click to view similar products for [Barrier Terminal Blocks](#) category:*

*Click to view products by [TE Connectivity](#) manufacturer:*

Other Similar products are found below :

[CR151D20104](#) [670A-RZ-15-KT20](#) [6C1N03](#) [6PCR-02](#) [6PCR-02-008](#) [6PCR-05-008](#) [6PCR-08-008](#) [6PCR-09-008](#) [6PCR-13-006](#) [6PCR-15-006](#) [6PCR-21-006](#) [6PCV-06-008](#) [6PCV-06-716](#) [6PCV-09-001](#) [6PCV-10-009](#) [6PCV-15-008](#) [6PCV-17-1206](#) [6PCV-20-323](#) [6PCV-20-720](#) [6PCV-30-006](#) [6STR-06-006](#) [6STR-08-006](#) [6STR-12-008](#) [6STR-13-006](#) [6STR-14-008](#) [6STR-16-008](#) [6STR-17-008](#) [6STR-21-008](#) [6STR-25-008](#) [6STR-27-008](#) [6STV-03-006](#) [6STV-03-008](#) [6STV-04-006](#) [6STV-09-006](#) [6STV-10-006](#) [6WWR-03-693](#) [6WWV-12-008](#) [72212603](#) [72504-C-50](#) [72506-C](#) [72507-C-50](#) [73203](#) [75505-C](#) [75505-C-50](#) [75510-C](#) [77010-50](#) [7C1N08](#) [812-GP-3/4ST-09](#) [8-1437402-5](#) [8PCR-06-006](#)