

THIS DRAWING IS UNPUBLISHED.		RELEASED FOR PUBLICATION		EC	LOC	DIST	REVISIONS					
© COPYRIGHT - By -		ALL RIGHTS RESERVED.		-	-	-	P	LTR	DESCRIPTION	DATE	DWN	APVD
								B	REVISED PER ECR-18-016655	22OCT2018	ML	SZ

5. ITEMS PROVIDED TO THIS SPECIFICATION TO BE PERMANENTLY IDENTIFIED PER THE FOLLOWING IDENTIFIER:

TE CONNECTIVITY PART NUMBER DATE CODE (e.g. 0625) YEAR WEEK
 XXXXXXXX-X XXXX

4. ALL DIMENSIONS SHOWN ACROSS A CENTERLINE (∅) SHALL BE CENTRALIZED WITHIN THE TOLERANCE INDICATED FOR THAT DIMENSION.


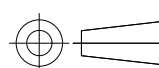
3. FINISHES:
 CROWN HOLDER: GOLD PLATED, .000030 MIN THICK WITH OVERALL GOLD FLASH
 OVER NICKEL PLATED, .000040 MIN THICK

2. MATERIALS:
 INSULATOR: THERMOPLASTIC, GLASS REINFORCED, UL94V-0 FLAMMABILITY RATED, COLOR-BLACK
 CROWN HOLDER: COPPER ALLOY
 CROWN BAND: COPPER ALLOY
 MATING BLADE: COPPER ALLOY WITH GOLD ON NICKEL PLATED

1. PART NUMBER CHANGES AND OR DESIGN CHANGES AFFECTING ITEM INTERCHANGEABILITY REQUIRE PRIOR ELCON APPROVAL AND AUTHORIZATION BY REVISION TO THIS DRAWING.

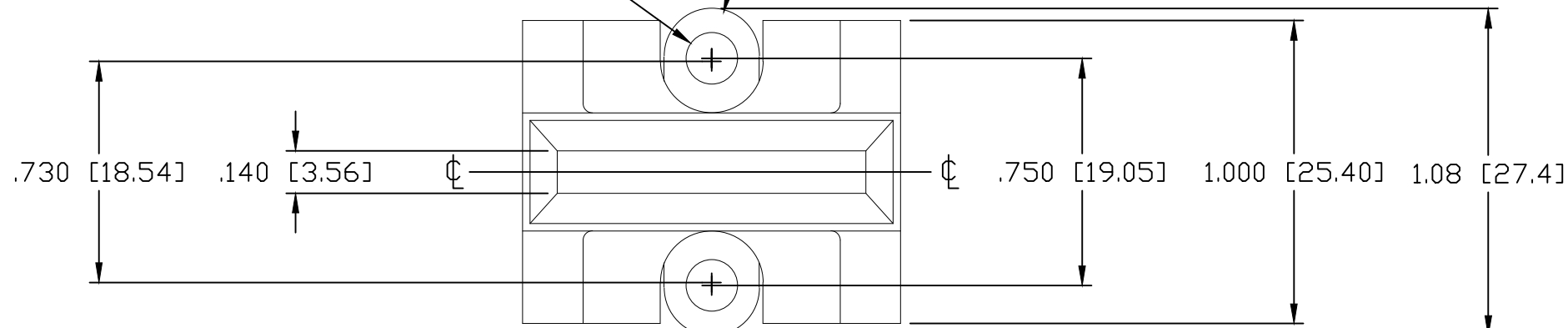
NOTES: UNLESS OTHERWISE SPECIFIED

1643906-1	AS SHOWN
PART NUMBER	DESCRIPTION

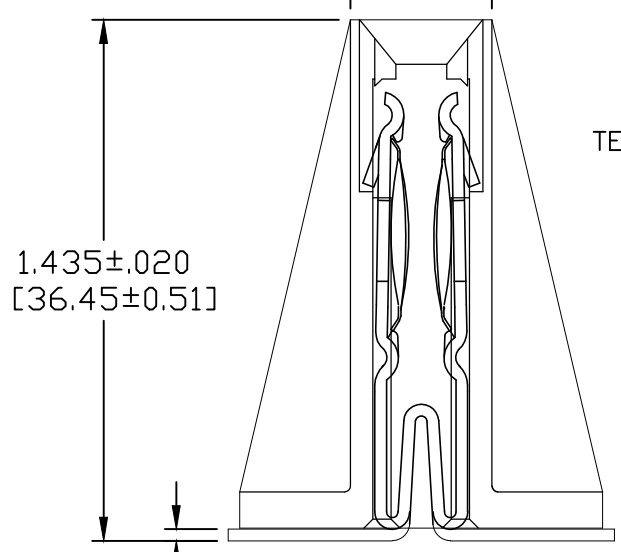
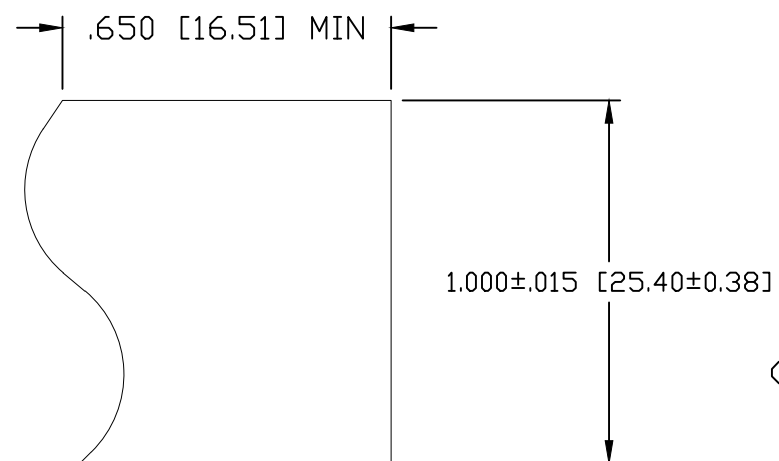
THIS DRAWING IS A CONTROLLED DOCUMENT.		DWN	02/25/06		 TE Connectivity			
		HA NGUYEN						
DIMENSIONS: INCH(MM)		CHK			NAME CROWN CLIP SENIOR SOCKET POWER CONNECTOR SINGLE POLE APPLICATION			
		-						
TOLERANCES UNLESS OTHERWISE SPECIFIED:		APVD	02/25/06		PRODUCT SPEC 108-128066			
0 PLC ± - 1 PLC ± - 2 PLC ± 0.02(0.3) 3 PLC ± 0.010(0.25) 4 PLC ± - ANGLES ± 0.5°		STEVE FLICKINGER						
MATERIAL		APPLICATION SPEC	114-128068		SIZE	CAGE CODE	DRAWING NO	RESTRICTED TO
FINISH		WEIGHT	-		A3	00779	C-1643906	-
CUSTOMER DRAWING					SCALE	2:1	SHEET	1 OF 2
					REV	B		

2X ϕ .170 [ϕ 4.32]
(CLEARANCE FOR
#8 OR M4 SCREW)

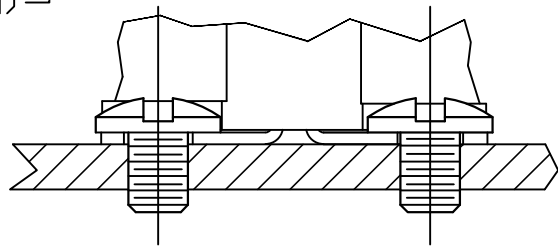
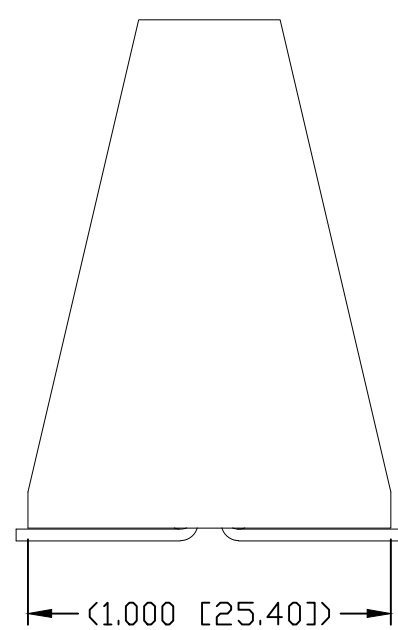
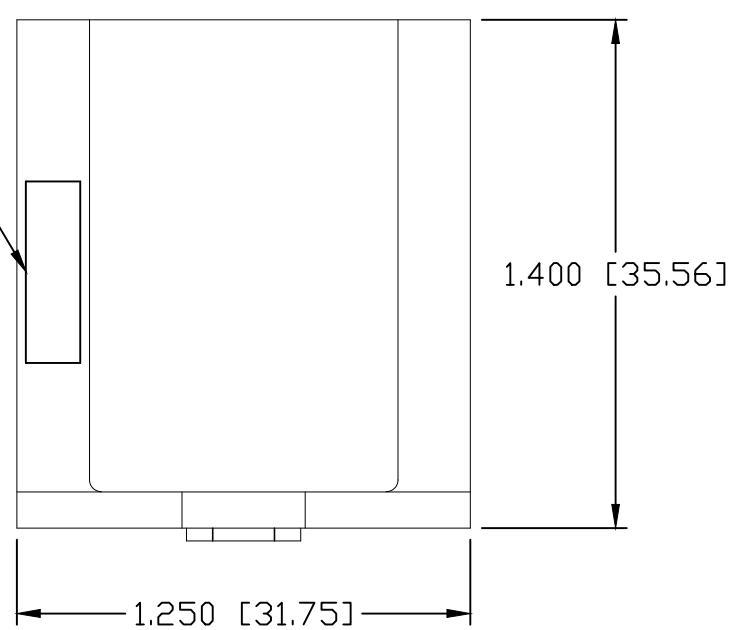
2X R.157 [R3.99]



.390 [9.91] 2X .340 [8.64]



TE LOGO



BACKPLANE ATTACHMENT

SCREWS ARE SHOWN FOR REFERENCE ONLY

RECOMMENDED MATING BLADE

THIS DRAWING IS A CONTROLLED DOCUMENT.		DWN	02/25/06		TE Connectivity		
		CHK	-				
DIMENSIONS: INCH(MM)		TOLERANCES UNLESS OTHERWISE SPECIFIED:		APVD	02/25/06		NAME
		0 PLC ± -		STEVE FLICKINGER		CROWN CLIP SENIOR SOCKET POWER CONNECTOR	
		1 PLC ± -		PRODUCT SPEC		SINGLE POLE APPLICATION	
		2 PLC ± 0.02(0.3)		108-128066			
		3 PLC ± 0.010(0.25)		APPLICATION SPEC			
		4 PLC ± -		114-128068			
		ANGLES ± 0.5°		WEIGHT		RESTRICTED TO	
MATERIAL		FINISH		-		-	
				CUSTOMER DRAWING		SCALE 2:1	
				SHEET 2 OF 2		REV B	

X-ON Electronics

Largest Supplier of Electrical and Electronic Components

Click to view similar products for [Terminals](#) category:

Click to view products by [TE Connectivity](#) manufacturer:

Other Similar products are found below :

[00-054007-01074-6](#) [00-054007-70206-1](#) [00-054007-70210-8](#) [00-054007-70217-7](#) [00-054007-70226-9](#) [00-054007-70228-3](#) [00-054007-70248-1](#) [00-054007-70256-6](#) [00-054007-70301-3](#) [00-054007-70316-7](#) [00-054007-49560-4](#) [00-054007-70209-2](#) [00-054007-70225-2](#) [00-054007-70227-6](#) [00-054007-70231-3](#) [00-054007-70241-2](#) [00-054007-70242-9](#) [00-054007-70244-3](#) [00-054007-70246-7](#) [00-054007-70263-4](#) [00-054007-70288-7](#) [00-054007-70290-0](#) [00-054007-70300-6](#) [00-054007-70304-4](#) [01-2065-1-0216](#) [01-2900-1-04412](#) [00581P0075](#) [600TS-10](#) [60205-1](#) [604200-1](#) [605601-1](#) [60598-1-CUT-TAPE](#) [61314-6-C](#) [61810-3](#) [61-S](#) [61-SN](#) [626-0194](#) [62-NBM-A](#) [62-SN](#) [62-SP](#) [63-S](#) [640179-1](#) [M55155/059I03](#) [M55155/079C01](#) [M55155/099H02](#) [M55155/109H01](#) [M55155/109H02](#) [M55155/12XH05](#) [M55155/16XH02](#) [M55155/29-5S](#)