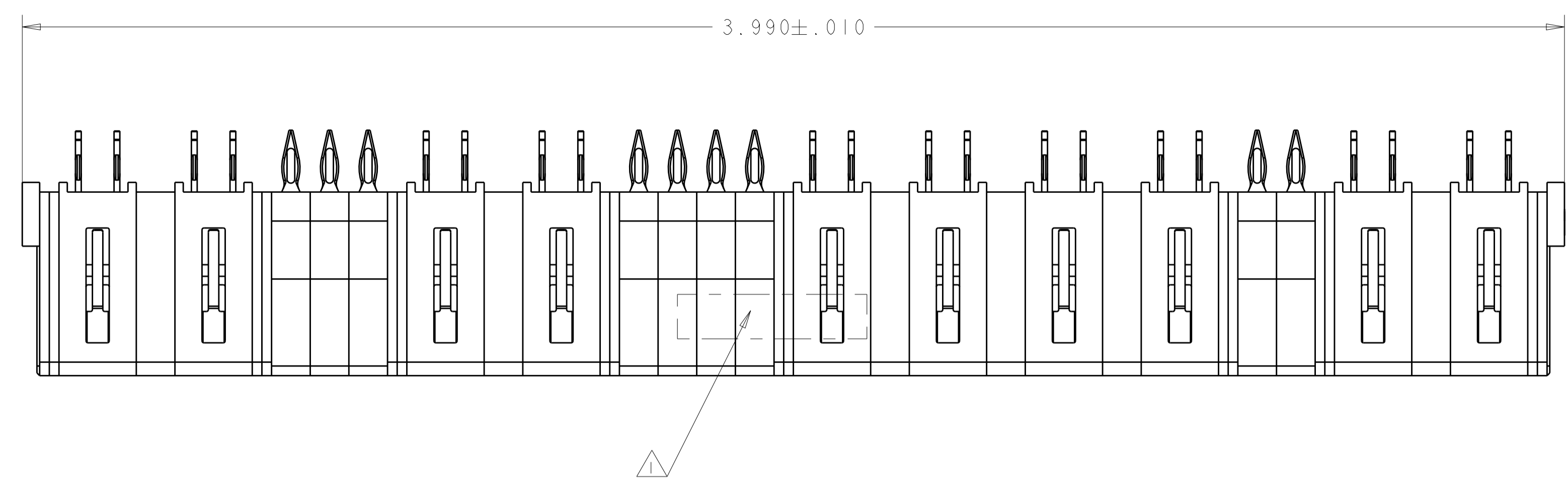
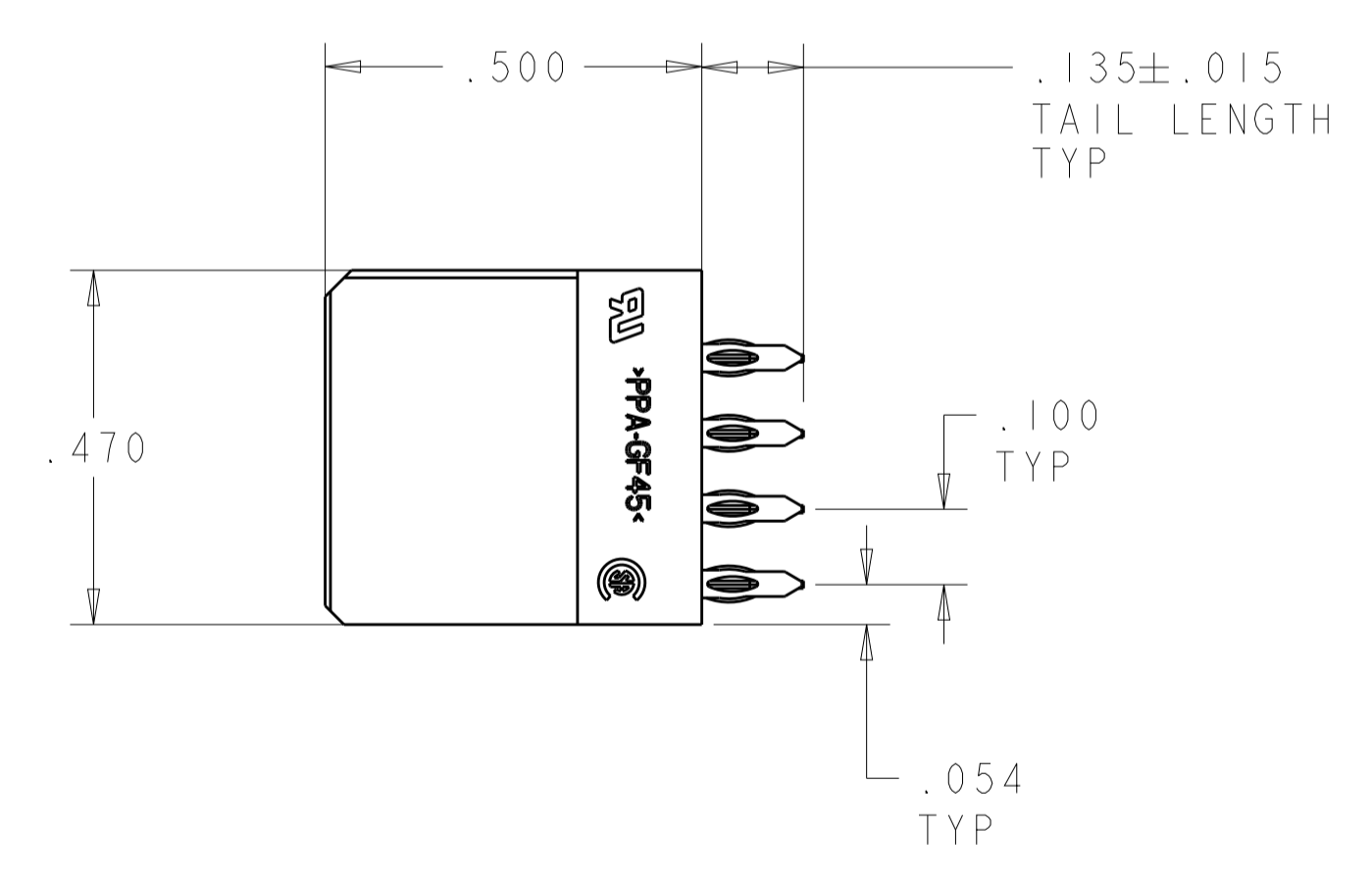
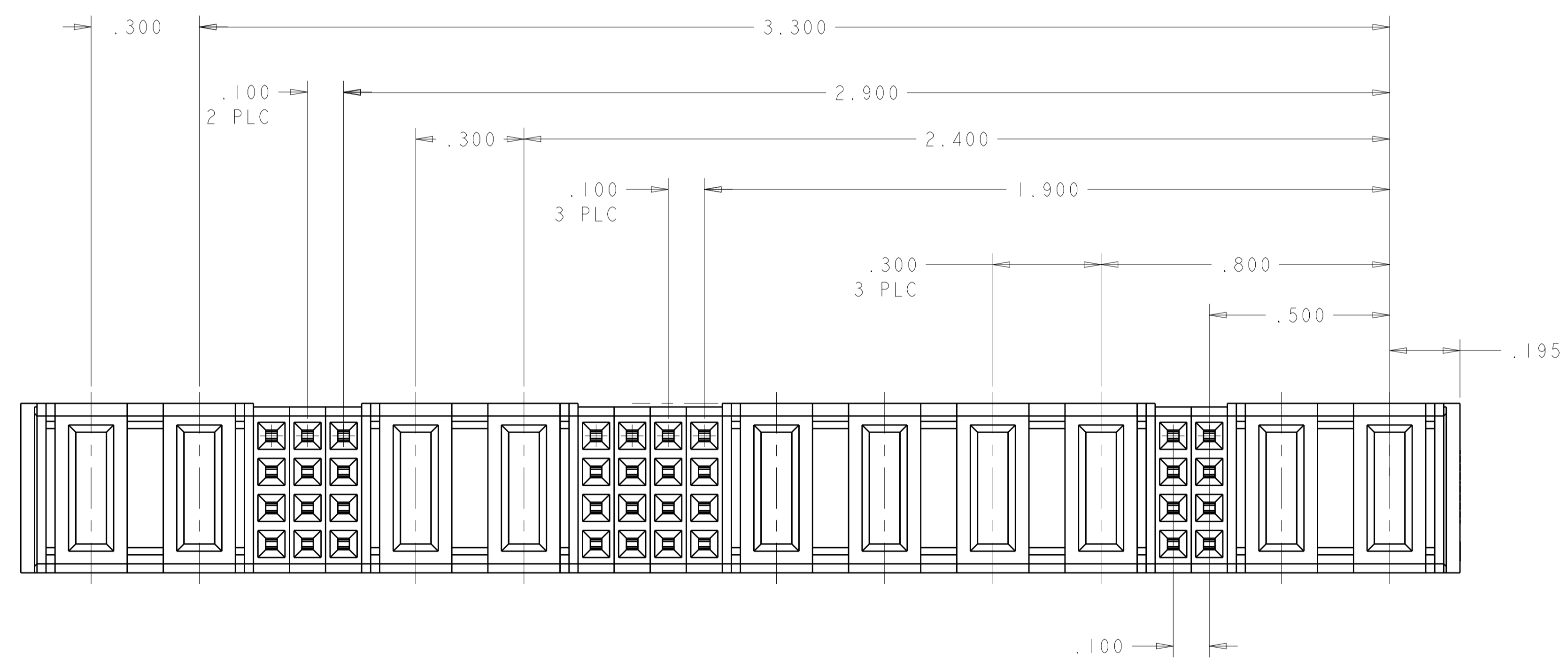


REVISIONS				
P.	LTN	DESCRIPTION	DATE	DWN APVD
A1		REVISED	28SEP2014	CZ SZ



- 1 "AMP", PART NUMBER AND DATE CODE TO BE MARKED IN AREA SHOWN PARTS UNDER 2.00 LONG MAY BE MARKED ON BOTH SIDES
- 2 MATERIAL: HOUSING - GLASS FILLED HIGH TEMP THERMO PLASTIC, UL94 V-0
SIGNAL CONTACT - HIGH CONDUCTIVITY COPPER ALLOY
POWER CONTACT - HIGH CONDUCTIVITY COPPER ALLOY
- 3 CONTACT PLATING: SIGNAL CONTACTS - .000050 MIN Ni UNDER ALL
.000030 MIN Au ON CONTACT AREA
.000100 MIN Sn AT PCB INTERFACE
POWER CONTACTS - .000050 MIN Ni UNDER ALL
.000030 MIN Au ON CONTACT AREA
.000100 MIN Sn AT PCB INTERFACE
- 4 MECHANICAL CONNECTOR KEEP OUT ZONE
- 5 DATUM AND BASIC DIMENSIONS ESTABLISHED BY CUSTOMER
- 6 PCB - ALL HOLE DIAMETERS ARE FINISHED HOLE SIZES
- 7 PCB - 0.0453 ± .0010 DRILLED HOLES PLATED WITH .0003 MIN Sn OVER .001 TO .003 Cu PLATING TO ACHIEVE A .040 ± .003 HOLE

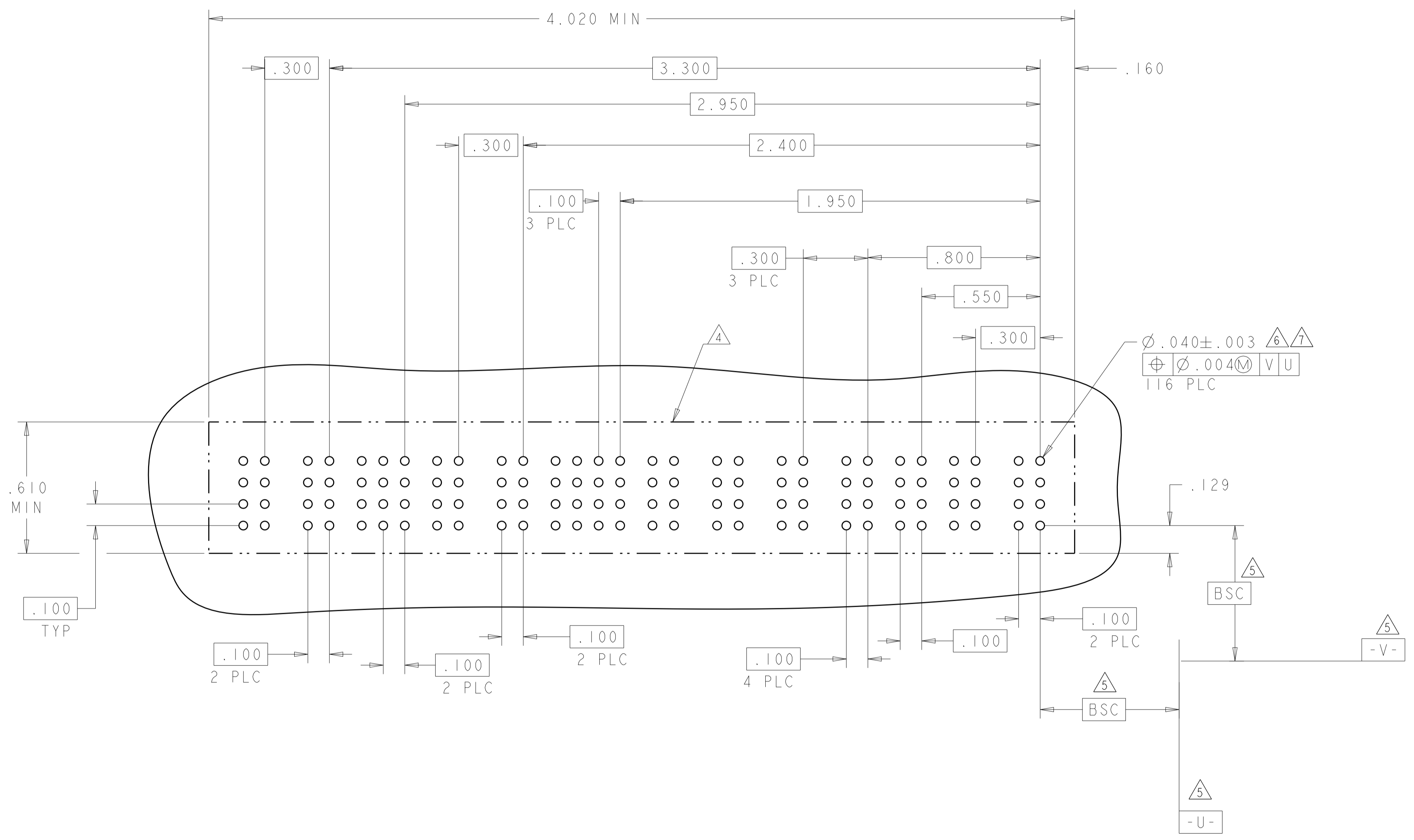


2ACP+8S+4ACP+16S+2ACP+12S+2ACP	I-6450869-0
DESCRIPTION	PART NUMBER

THIS DRAWING IS A CONTROLLED DOCUMENT.		DWN C. ZHOU 28DEC2009	TE Connectivity	
DIMENSIONS: INCHES		CHK S. ZHAO	NAME	
TOLERANCES UNLESS OTHERWISE SPECIFIED:		APVD	VER RECEP ASSEMBLY, W/ LP CONTACTS WITHOUT GUIDES, PRESS FIT MULTI-BEAM XLE	
0 PLC ±.01	1 PLC ±.01	PRODUCT SPEC	108-2292	
2 PLC ±.01	3 PLC ±.005	APPLICATION SPEC	114-13251	
4 PLC ±.0020	ANGLES ±.020	WEIGHT	A1	
MATERIAL	FINISH	CAGE CODE	DRAWING NO	RESTRICTED TO
CUSTOMER DRAWING		SCALE	N/A	SHEET 1 OF 2

REVISIONS				
P.	LTN.	DESCRIPTION	DATE	APVD.
-	-	SEE SHEET 1	-	-

PART NUMBER	ROWS	POWER		SIGNAL			POWER		SIGNAL				POWER		SIGNAL		POWER			
		P10	P9	9	8	7	P8	P7	6	5	4	3	P6	P5	P4	P3	2	1	P2	P1
1-6450869-0	D	GS	GS	AP	AP	AP	GS	GS	AP	AP	AP	AP	GS	GS	GS	GS	AP	AP	GS	GS
	C			AP	AP	AP			AP	AP	AP	AP					AP	AP		
	B			AP	AP	AP			AP	AP	AP	AP					AP	AP		
	A			AP	AP	AP			AP	AP	AP	AP					AP	AP		
2ACP+8S+4ACP+16S+2ACP+12S+2ACP																				



GS	STD POWER PRESS FIT CONTACT .135 TAIL LENGTH
AP	SIGNAL PRESS FIT CONTACT .135 TAIL LENGTH
CODE	TAIL LENGTH
CONTACT TABLE	

THIS DRAWING IS A CONTROLLED DOCUMENT.		DWN	C. ZHOU	28DEC2009
DIMENSIONS: INCHES		CHK	S. ZHAO	
TOLERANCES UNLESS OTHERWISE SPECIFIED:		APVD		
0 PLC	±.01	PRODUCT SPEC		
1 PLC	±.01	108-2292		
2 PLC	±.01	APPLICATION SPEC		
3 PLC	±.005	114-13251		
4 PLC	±.0020	WEIGHT		
ANGLES	±.020	CUSTOMER DRAWING		
MATERIAL		SCALE N/A SHEET 2 OF 2 REV A1		
FINISH		RESTRICTED TO		

X-ON Electronics

Largest Supplier of Electrical and Electronic Components

Click to view similar products for [Power to the Board](#) category:

Click to view products by [TE Connectivity](#) manufacturer:

Other Similar products are found below :

[6450171-4](#) [6450552-7](#) [6600323-8](#) [6643429-1](#) [6646040-2](#) [6651939-1](#) [6766604-1](#) [120959-1](#) [1393557-2](#) [1393532-2](#) [1393532-3](#) [1393532-4](#)
[1393557-1](#) [1600812-5](#) [1-6450861-2](#) [1744132-7](#) [1761122-1](#) [1766250-1](#) [1892109-1](#) [2-6450860-5](#) [2-6450870-0](#) [1-6450161-4](#) [1-6450850-6](#) [1-6450869-6](#) [1645526-2](#) [1-6600130-0](#) [2005243-2](#) [377-0020-11130](#) [TE34-12-16P-F0](#) [5-6450830-6](#) [5646956-4](#) [377-0080-11131A](#) [4-6450830-9](#)
[4-6600333-3](#) [10125416-4050LF](#) [6600320-3](#) [3-6450860-5](#) [1888123-2](#) [6450166-1](#) [6643978-1](#) [6766605-1](#) [701-15-02109](#) [N11444](#) [6651938-1](#)
[6450810-7](#) [46437-1112](#) [1-1589677-8](#) [5646956-5](#) [6450813-2](#) [6450129-4](#)