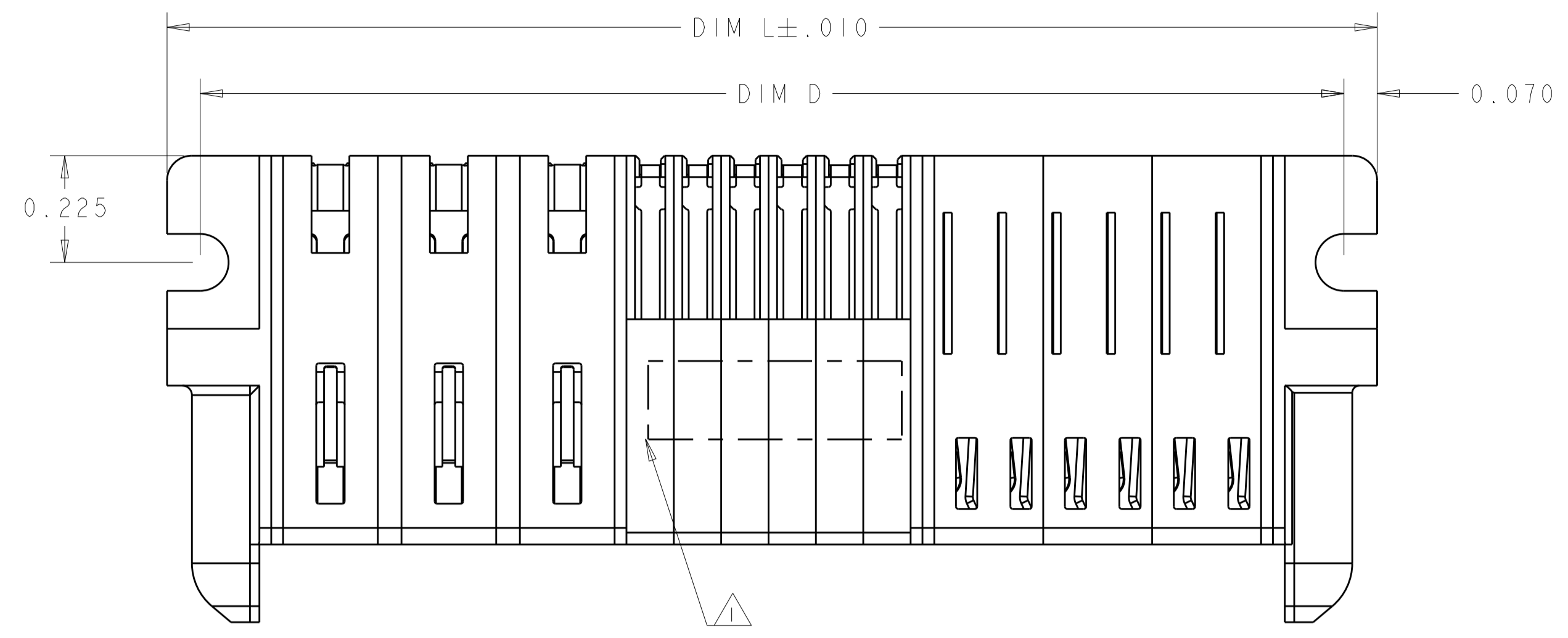
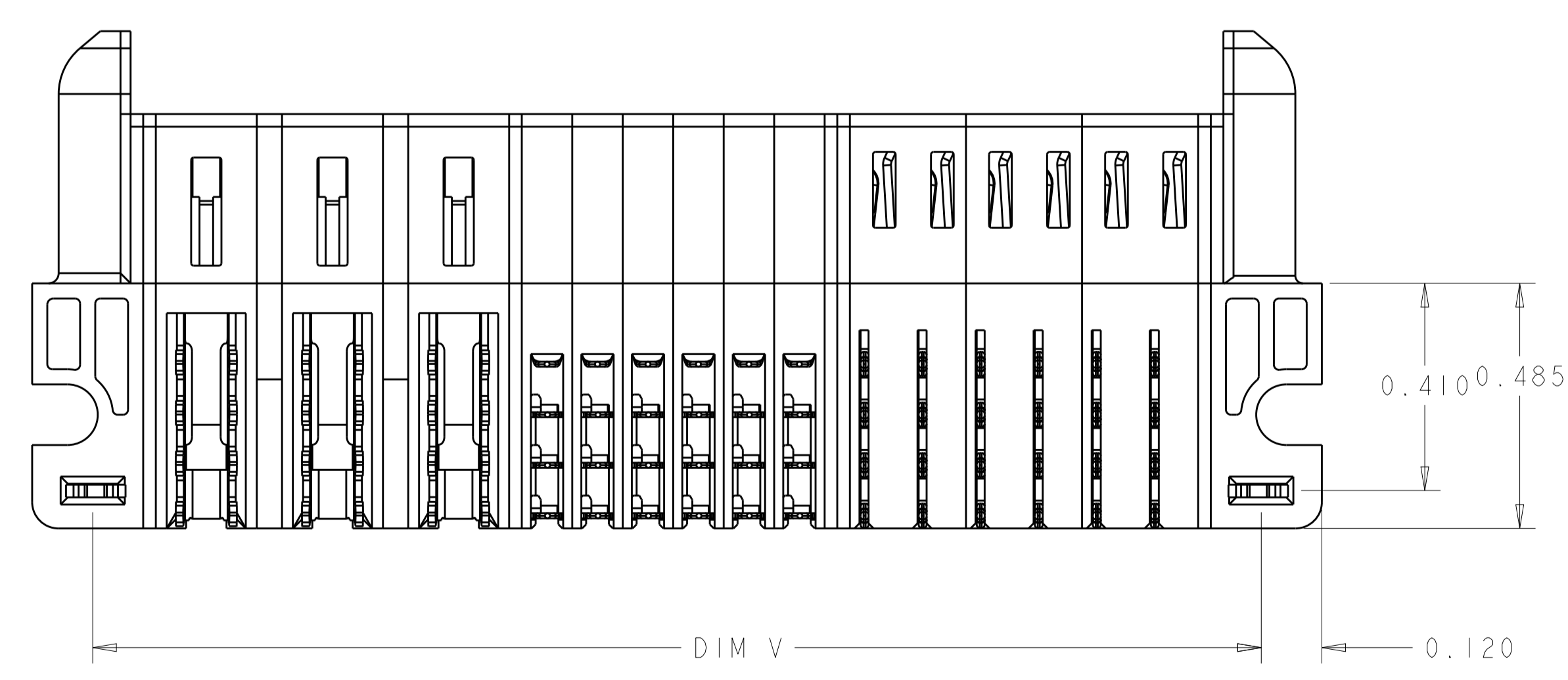
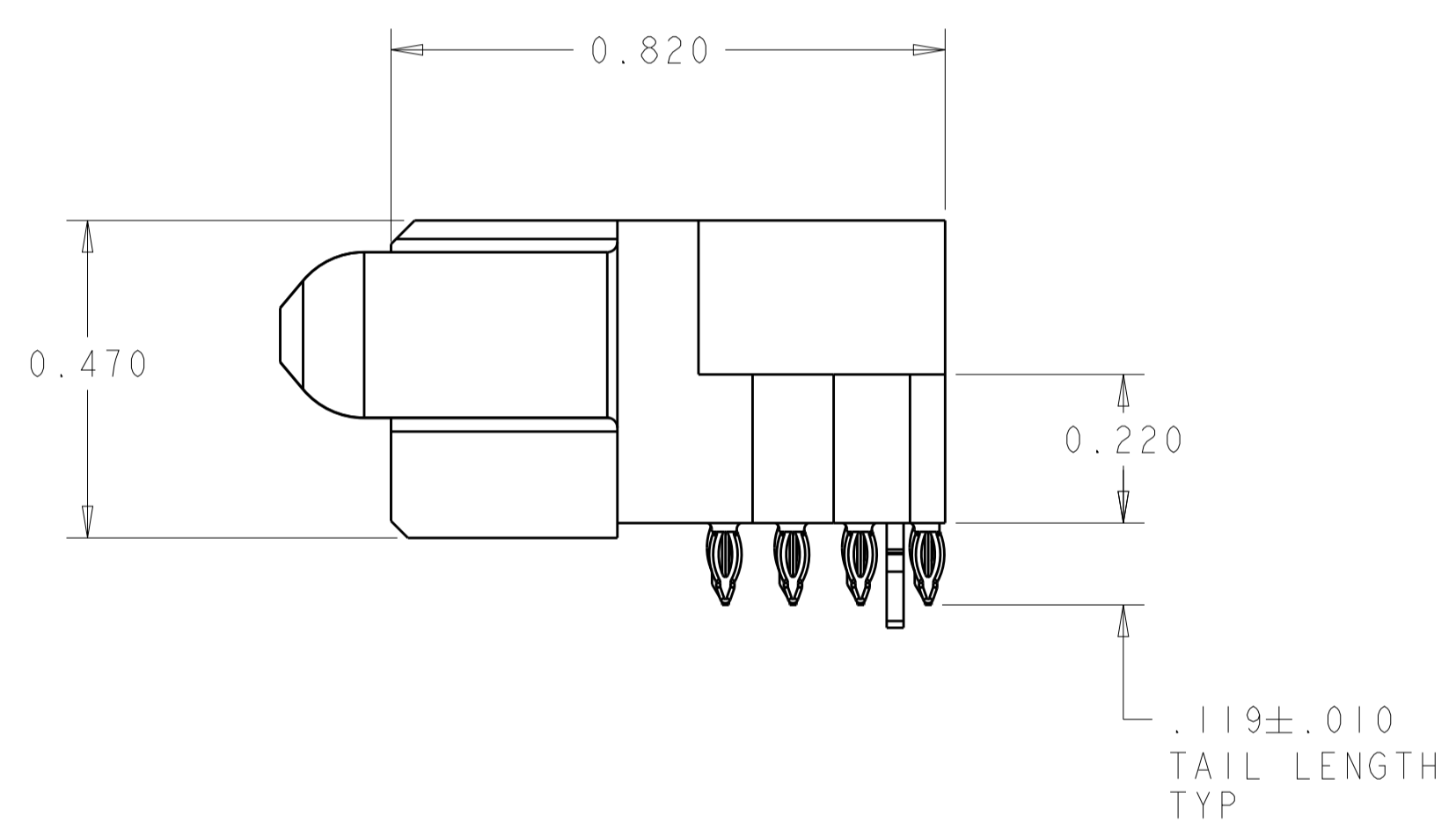
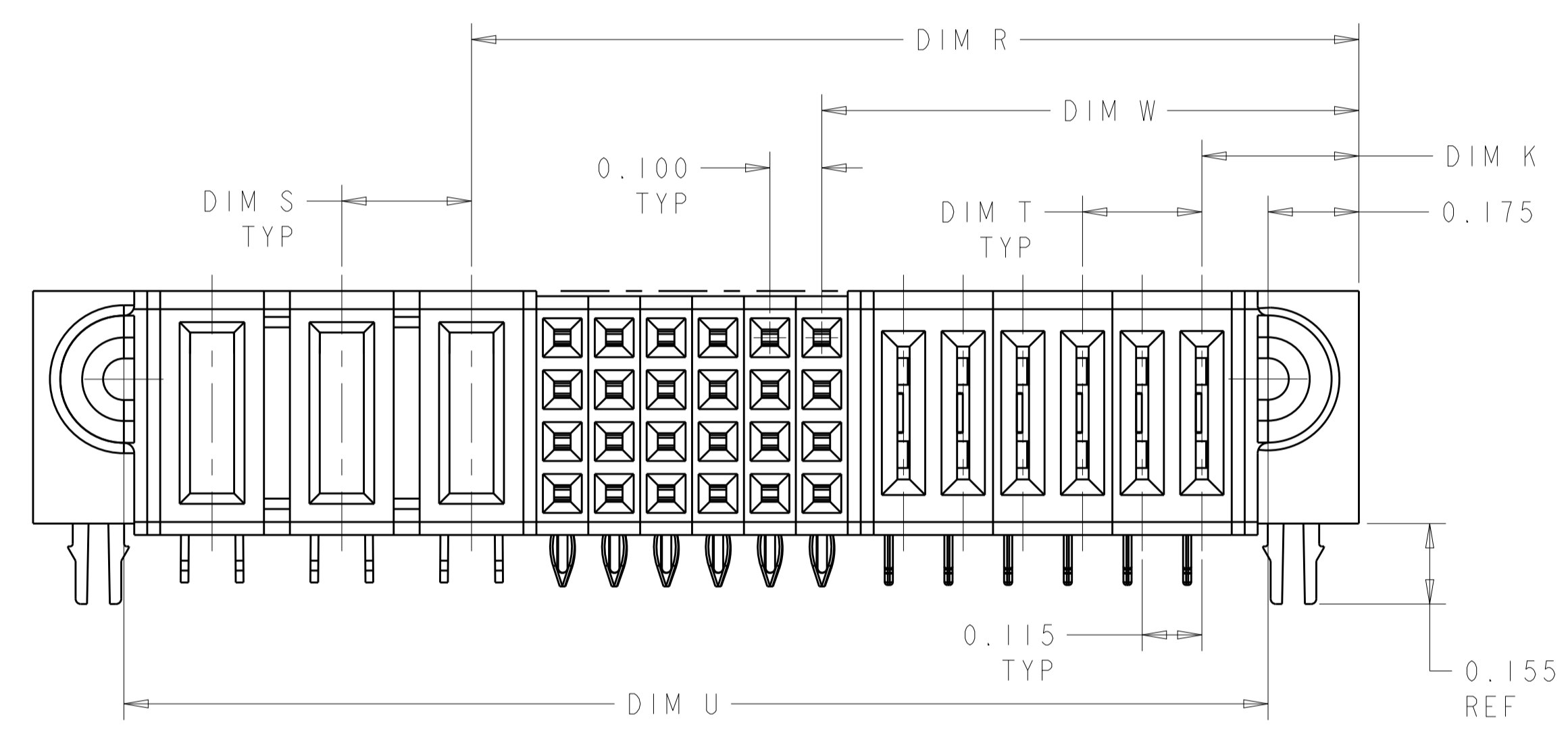


LOC	DIST	REVISIONS					
		P	LTN	DESCRIPTION	DATE	DMN	APVD
ES	00	F5		REMOVED 2-8			



- ① "AMP", PART NUMBER, AND DATE CODE TO BE MARKED IN AREA SHOWN PARTS UNDER 2.000 MAY BE MARKED ON BOTH SIDES.
- ② MATERIAL: HOUSING - GLASS FILLED HIGH TEMP THERMO PLASTIC, UL94 V-0
SIGNAL CONTACT - COPPER ALLOY
POWER CONTACT - HIGH CONDUCTIVITY COPPER ALLOY
- ③ CONTACT PLATING: NOBLE METAL PLATING ON CONTACT FUNCTIONAL AREA OF POWER AND SIGNAL CONTACTS
- ④ MECHANICAL CONNECTOR KEEP OUT ZONE
- ⑤ DATUM AND BASIC DIMENSIONS ESTABLISHED BY CUSTOMER
- ⑥ PCB - ALL HOLE DIAMETERS ARE FINISHED HOLE SIZES
- ⑦ PCB - .0453 ±.0010 DRILLED HOLE PLATED WITH .0003 MIN Sn OVER .001-.003 PLATING TO ACHIEVE A .040 HOLE
- ⑧ FOR P/S/P, P/S/LP CONFIGURATION, PLEASE REFER TO SHEET 2
- ⑨ CONTACTS LUBRICATED WITH HMI5 AFTER PLATING.



.240	.165	1.980	2.080	1.870	2.220	1.4225	.990	.2775	3LP + 16S + 4LP	⑧	2-6450880-7
.250	.250	1.750	1.850	1.640	1.990	1.345	.845	.395	2P + 16S + 2P	⑧	2-6450880-6
.230	.250	-	5.595	5.385	5.735	4.6025	3.345	.370	12P + 48S + 12LP	⑧	2-6450880-3
-	-	.880	.980	.770	1.120	.8425	.435	.2775	1LP + 16S + 1LP	⑧	2-6450880-0
.200	.200	2.350	2.450	2.240	2.590	1.670	1.095	.320	4HDP + 20S + 4HDP	⑧	1-6450880-9
.250	.250	3.900	4.000	3.790	4.140	2.820	1.520	.320	5P + 48S + 5P	⑧	1-6450880-8
.250	.250	3.300	3.400	3.190	3.540	2.195	1.520	.345	5P + 24S + 5P	⑧	1-6450880-7
.250	.250	1.750	1.850	1.640	1.990	1.370	.845	.370	2P + 16S + 2P	⑧	1-6450880-5
.250	.250	6.000	6.100	5.890	6.240	4.145	2.270	.345	8P + 72S + 8P	⑧	1-6450880-1
-	-	.600	.700	.490	.840	-	.270	-	16S	⑧	1-6450880-0
.230	.250	5.495	5.595	5.385	5.735	4.6025	3.345	.370	12P+ 48S+ 8LP	⑧ ⑨	6450880-8
.250	.250	4.400	4.500	4.290	4.640	2.545	2.270	.345	8P + 8S + 8P	⑧	6450880-7
.230	-	1.190	1.290	1.080	1.430	-	1.060	.3775	6LP + 8S	⑧	6450880-6
-	-	1.475	1.575	1.365	1.715	1.320	.595	.370	1P + 24S + 1P	⑧	6450880-5
.230	.250	-	5.595	5.385	5.735	4.6025	3.345	.370	12P+ 48S+ 8LP	⑧	6450880-4
.300	.200	5.150	5.250	5.040	5.390	2.845	1.520	.370	4ACP + 48S + 12HDP	⑧	6450880-3
.230	.250	2.315	2.415	2.205	2.555	1.710	1.035	.3025	6LP + 24S + 3P	⑧	6450880-1
DIM T	DIM S	DIM V	DIM D	DIM U	DIM L	DIM R	DIM W	DIM K	DESCRIPTION		PART NUMBER

THIS DRAWING IS A CONTROLLED DOCUMENT.

DMN: S. ZHAO 25MAY2007
CHK: S. ZHAO 25MAY2007
APVD: S. ZHAO 25MAY2007

DIMENSIONS: INCHES
TOLERANCES UNLESS OTHERWISE SPECIFIED:
0 PLC ±.1
1 PLC ±.01
2 PLC ±.005
3 PLC ±.002
4 PLC ±.002
ANGLES ±.002

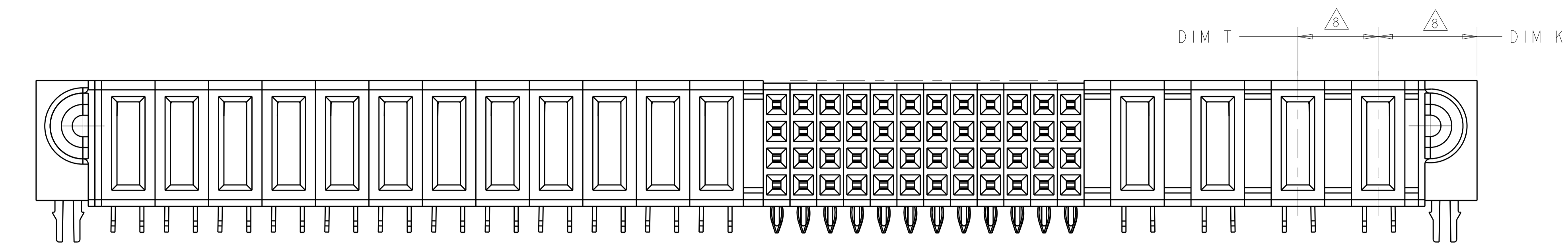
MATERIAL: ②
FINISH: -

PRODUCT SPEC: 108-2292
APPLICATION SPEC: 114-13251
WEIGHT: -
CUSTOMER DRAWING

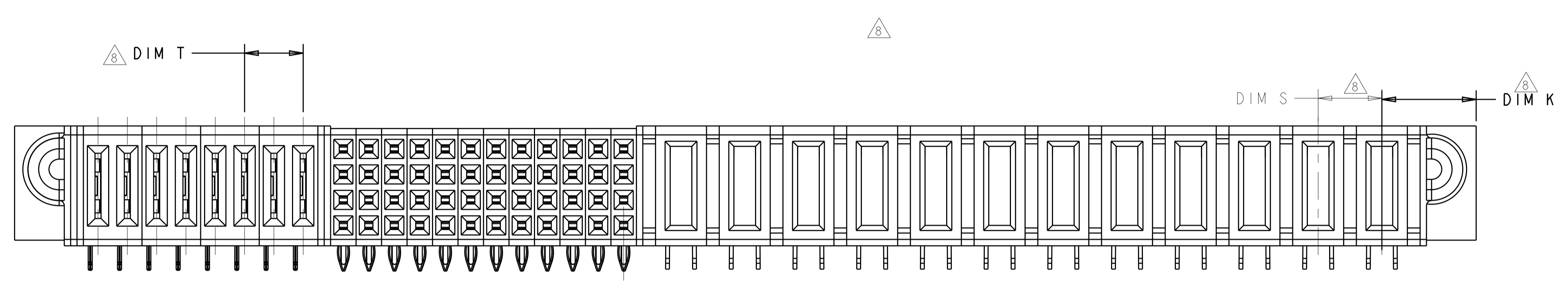
NAME: RIGHT ANGLE RECEPTACLE WITH LP CONTACT AND SHORT END MODULES MULTI-BEAM XLE
SIZE: A1
CAGE CODE: 6450880
SCALE: 4:1
SHEET: 13 OF 13
REV: F5

TE Connectivity

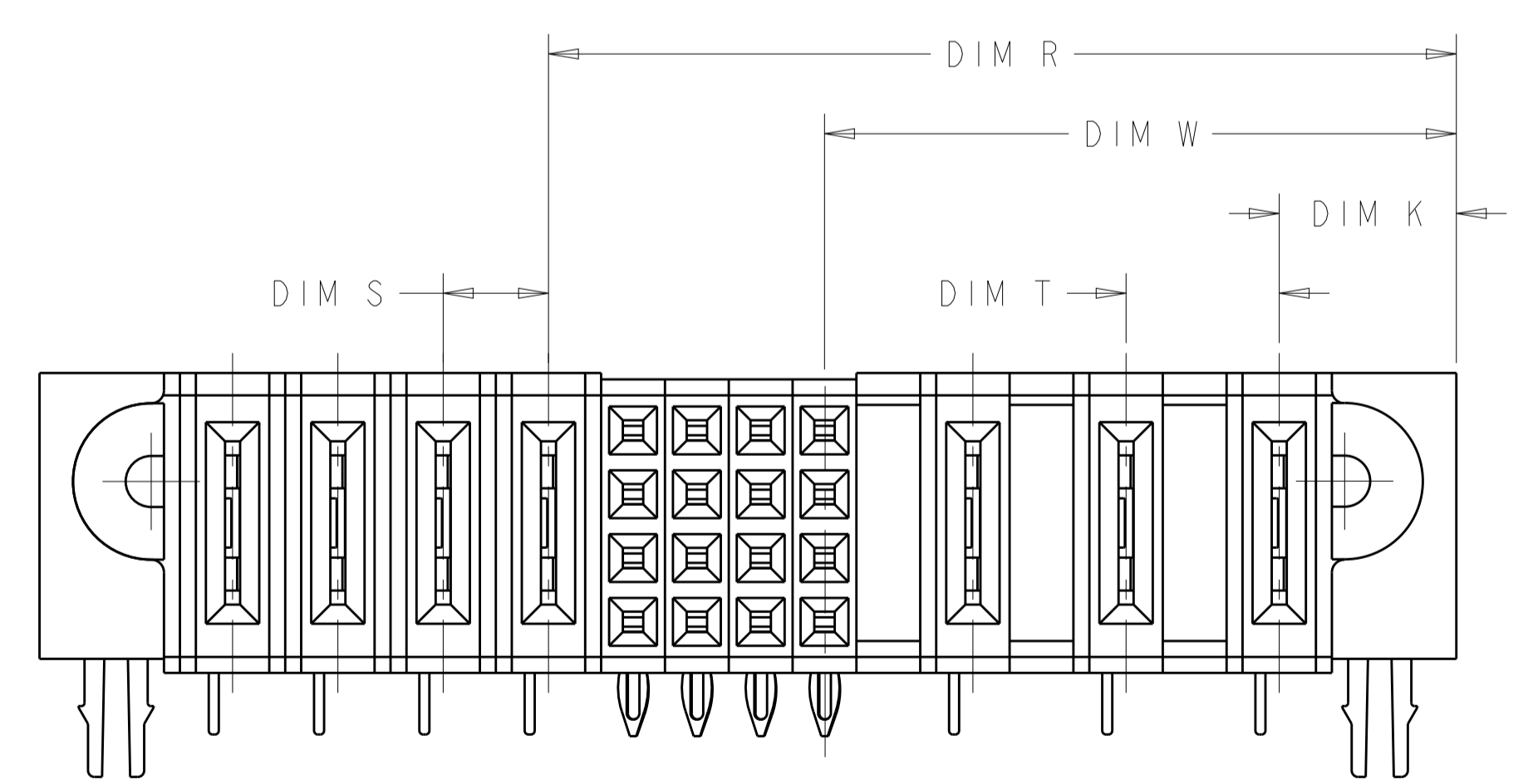
LOC	DIST	REVISIONS					
ES	00	P	LTN	DESCRIPTION	DATE	DWN	APVD
		-		SEE SHEET 1	-	-	-



PART NUMBER 6450880-3
 UNSPECIFIED DIM REFER TO SHEET 1
 SCALE 7:2



PART NUMBER 6450880-4, 2-6450880-3
 UNSPECIFIED DIM REFER TO SHEET 1
 SCALE 7:2

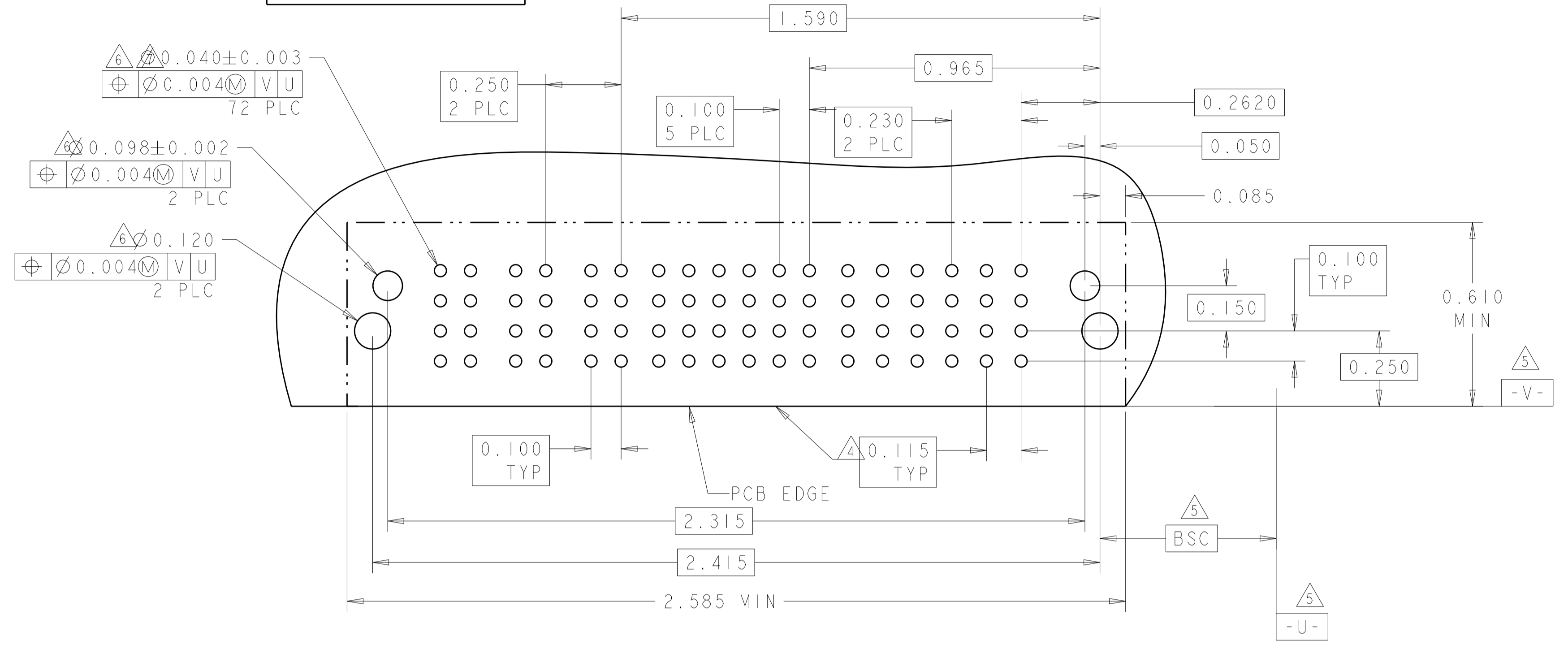


PART NUMBER 2-6450880-0, 2-6450880-7
 UNSPECIFIED DIM REFER TO SHEET 1
 FOR CONFIGURATION LP/S/LP

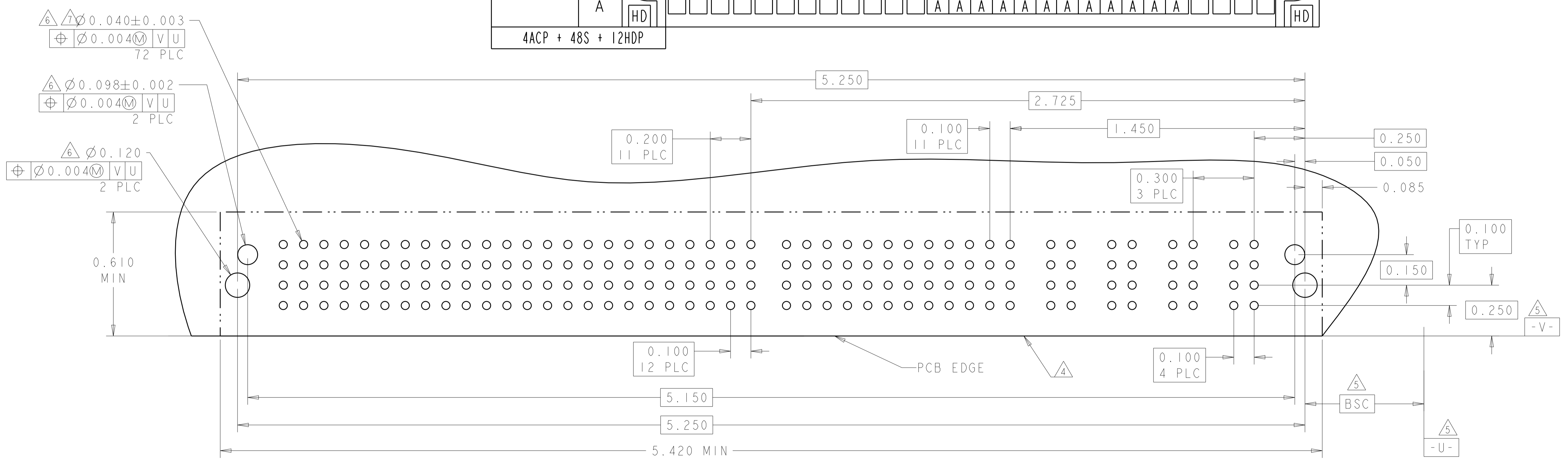
THIS DRAWING IS A CONTROLLED DOCUMENT.		DWN S. ZHAO 25MAY2007	
DIMENSIONS: INCHES		CHK S. ZHAO 25MAY2007	
TOLERANCES UNLESS OTHERWISE SPECIFIED:		APVD S. ZHAO 25MAY2007	
0 PLC ±.1 1 PLC ±.01 2 PLC ±.01 3 PLC ±.005 4 PLC ±.0020 ANGLES ±.2°		PRODUCT SPEC 108-2292 APPLICATION SPEC 114-13251 WEIGHT - FINISH -	
MATERIAL -		NAME RIGHT ANGLE RECEPTACLE WITH LP CONTACT AND SHORT END MODULES MULTI-BEAM XLE SIZE CAGE CODE DRAWING NO. A100779C=6450880 RESTRICTED TO -	CUSTOMER DRAWING SCALE 4:1 SHEET 2 OF 13 REV F5

LOC	DIST	REV	DESCRIPTION	DATE	BY	APPV
ES	00		SEE SHEET 1			

PART NUMBER	ROWS	D	C	B	A	POWER						SIGNAL						POWER						
						P3	P2	P1	6	5	4	3	2	1	LP6	LP5	LP4	LP3	LP2	LP1				
6450880-1	DCBA	HD	RP	RS	RS		D	D	D	D	D	D	D	D	LS	LS	LS	LS	LS	LS				
							C	C	C	C	C	C	C	C	C									
							B	B	B	B	B	B	B	B	B	B								
							A	A	A	A	A	A	A	A	A	A								
6LP + 24S + 3P																								



PART NUMBER	ROWS	D	C	B	A	POWER												SIGNAL												POWER							
						P16	P15	P14	P13	P12	P11	P10	P9	P8	P7	P6	P5	12	11	10	9	8	7	6	5	4	3	2	1	P4	P3	P2	P1				
6450880-3	DCBA	HD	RS	RS	RS	RS	RS	RS	RS	RS	RS	RS	RS	RS	RS	RS	RS	D	D	D	D	D	D	D	D	D	D	D	D	D	D	LS	LS	RS	RS	RS	RS
																		C	C	C	C	C	C	C	C	C	C	C	C	C							
																		B	B	B	B	B	B	B	B	B	B	B	B	B	B						
																		A	A	A	A	A	A	A	A	A	A	A	A	A	A						
4ACP + 48S + 12HDP																																					



SIGNAL CONTACT ROW D	D
SIGNAL CONTACT ROW C	C
SIGNAL CONTACT ROW B	B
SIGNAL CONTACT ROW A	A
STD LP CONTACT	LS
MFBL POWER CONTACT	RP
STD POWER CONTACT	RS
DESCRIPTION	CODE

THIS DRAWING IS A CONTROLLED DOCUMENT.

OWN S. ZHAO	25MAY2007
CHK S. ZHAO	25MAY2007
APPV S. ZHAO	25MAY2007

DIMENSIONS: INCHES
 TOLERANCES UNLESS OTHERWISE SPECIFIED:
 0 PLC ±.
 1 PLC ±.1
 2 PLC ±.01
 3 PLC ±.005
 4 PLC ±.002
 ANGLES ±.002
 FINISH

PRODUCT SPEC	108-2292
APPLICATION SPEC	114-13251
WEIGHT	
CUSTOMER DRAWING	

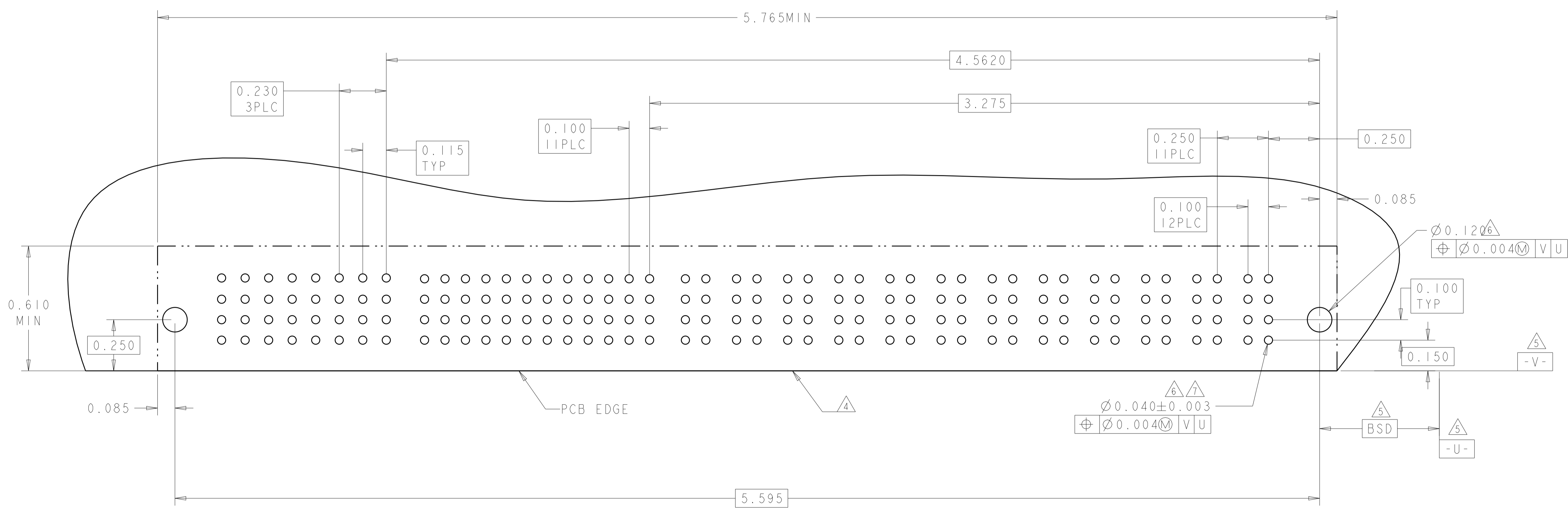
NAME: RIGHT ANGLE RECEPTACLE WITH LP CONTACT AND SHORT END MODULES MULTI-BEAM XLE
 SIZE: A1
 CAGE CODE: 100779
 DRAWING NO: 6450880
 SCALE: 4:1
 SHEET: 3 OF 13
 REV: F5

LOC		DIST		REVISIONS			
ES	00	REV	DATE	BY	CHK	APPV	
		-		SEE SHEET 1			

PART NUMBER	ROWS	POWER								SIGNAL												POWER											
		LP8	LP7	LP6	LP5	LP4	LP3	LP2	LP1	I2	I1	I0	9	8	7	6	5	4	3	2	1	P12	P11	P10	P9	P8	P7	P6	P5	P4	P3	P2	P1
6450880-4	D									D	D	D	D	D	D	D	D	D	D	D	RS	RS	RS	RS	RS	RS	RS	RS	RS	RS	RS		
	C	LS	LS	LS	LS	LS	LS	LS	LS	C	C	C	C	C	C	C	C	C	C	C													
	B									B	B	B	B	B	B	B	B	B	B	B													
	A									A	A	A	A	A	A	A	A	A	A	A													
12P + 48S + 8LP																																	

PART NUMBER	ROWS	POWER								SIGNAL												POWER											
		LP8	LP7	LP6	LP5	LP4	LP3	LP2	LP1	I2	I1	I0	9	8	7	6	5	4	3	2	1	P12	P11	P10	P9	P8	P7	P6	P5	P4	P3	P2	P1
6450880-8	D									D	D	D	D	D	D	D	D	D	D	D	RS	RS	RS	RS	RS	RS	RS	RS	RS	RS	RS		
	C	LS	LS	LS	LS	LS	LS	LS	LS	C	C	C	C	C	C	C	C	C	C	C													
	B									B	B	B	B	B	B	B	B	B	B	B													
	A									A	A	A	A	A	A	A	A	A	A	A													
12P + 48S + 8LP																																	

PART NUMBER	ROWS	POWER								SIGNAL												POWER											
		LP8	LP7	LP6	LP5	LP4	LP3	LP2	LP1	I2	I1	I0	9	8	7	6	5	4	3	2	1	P12	P11	P10	P9	P8	P7	P6	P5	P4	P3	P2	P1
2-6450880-3	D									D	D	D	D	D	D	D	D	D	D	D	RS	RS	RS	RS	RS	RS	RS	RS	RS	RS	RS		
	C	LS	LS	LS	LS	LS	LS	LS	LS	C	C	C	C	C	C	C	C	C	C	C													
	B									B	B	B	B	B	B	B	B	B	B	B													
	A									A	A	A	A	A	A	A	A	A	A	A													
12P + 48S + 8LP																																	



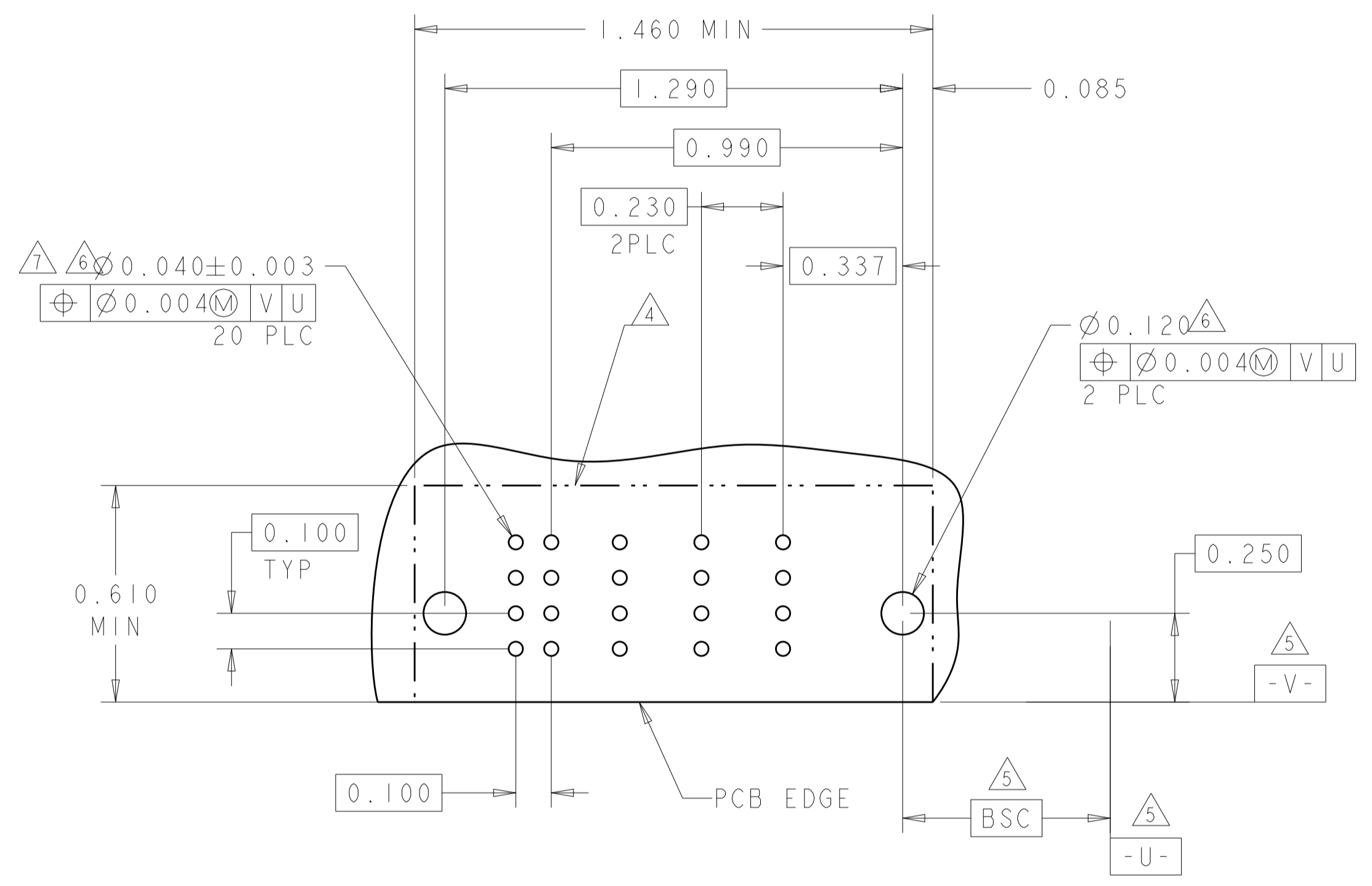
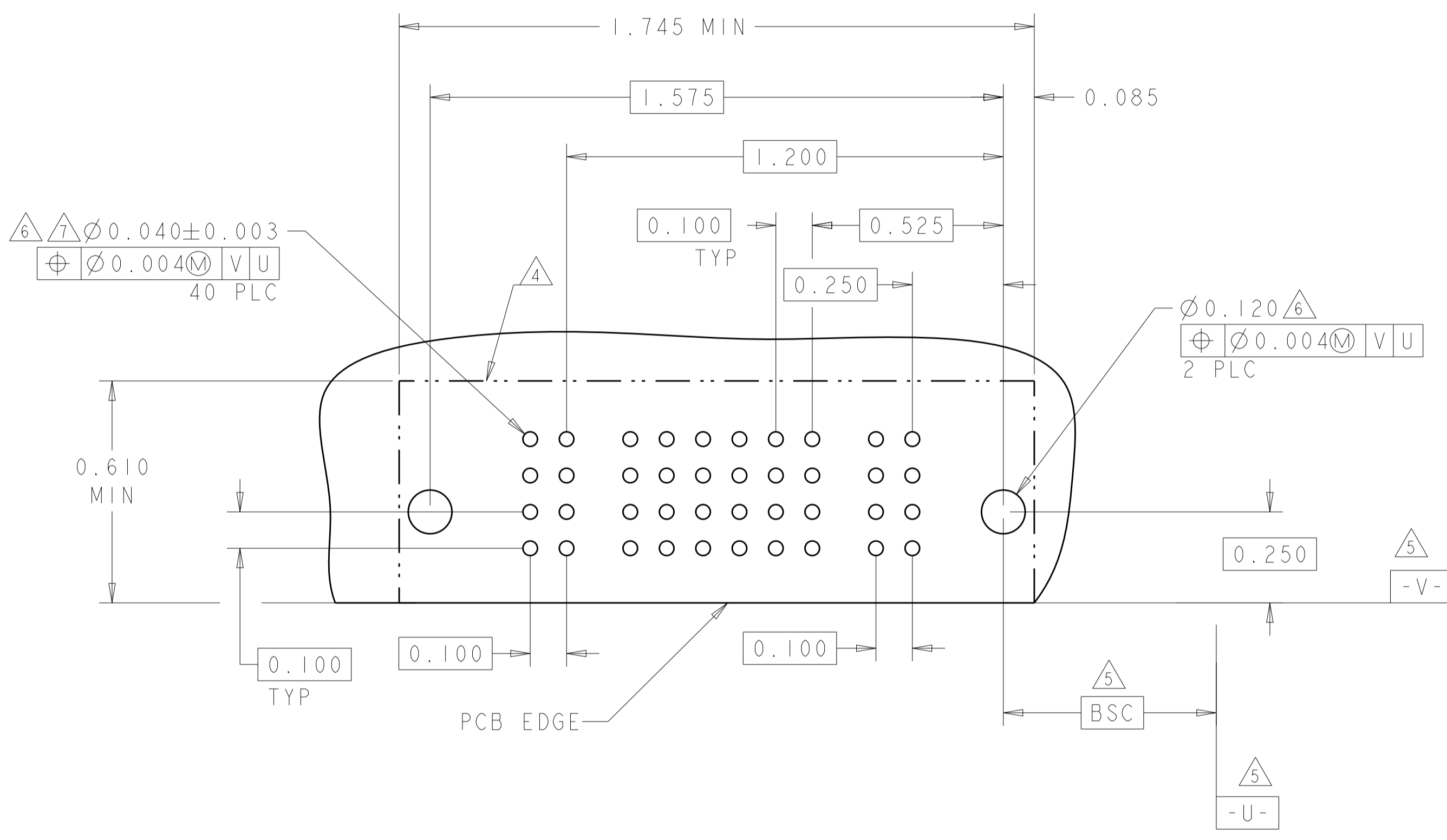
PCB LAYOUT FOR P/N: 6450880-4 ; 6450880-8 AND 2-6450880-3

THIS DRAWING IS A CONTROLLED DOCUMENT.		OWN S. ZHAO 25MAY2007	<p>TE Connectivity</p>											
DIMENSIONS: INCHES		CHK S. ZHAO 25MAY2007												
TOLERANCES UNLESS OTHERWISE SPECIFIED:		APPV S. ZHAO 25MAY2007												
<table border="0"> <tr><td>0 PLC</td><td>±.01</td></tr> <tr><td>2 PLC</td><td>±.01</td></tr> <tr><td>3 PLC</td><td>±.01</td></tr> <tr><td>4 PLC</td><td>±.005</td></tr> <tr><td>ANGLES</td><td>±.0020</td></tr> <tr><td>FINISH</td><td>±.0020</td></tr> </table>		0 PLC		±.01	2 PLC	±.01	3 PLC	±.01	4 PLC	±.005	ANGLES	±.0020	FINISH	±.0020
0 PLC	±.01													
2 PLC	±.01													
3 PLC	±.01													
4 PLC	±.005													
ANGLES	±.0020													
FINISH	±.0020													
MATERIAL		PRODUCT SPEC 108-2292	NAME RIGHT ANGLE RECEPTACLE WITH LP CONTACT AND SHORT END MODULES MULTI-BEAM XLE											
		APPLICATION SPEC 114-13251	SIZE A100779											
		WEIGHT	CAGE CODE 6450880											
		CUSTOMER DRAWING	RESTRICTED TO											
		SCALE 4:1	SHEET 4 OF 13 REV F5											

LOC		DIST		REVISIONS			
P	LTN	DESCRIPTION	DATE	DMN	APVD		
-	-	SEE SHEET 1	-	-	-		

PART NUMBER	ROWS		POWER		SIGNAL						POWER		
			P2	P1	6	5	4	3	2	1	P1	P2	
6450880-5	D	C B A	RS	RS	D	D	D	D	D	D	D	D	RS
	C				C	C	C	C	C	C	C		
	B				B	B	B	B	B	B	B		
	A				A	A	A	A	A	A	A		
IP + 24S + IP													

PART NUMBER	ROWS		SIGNAL		POWER					
			2	1	LP6	LP5	LP4	LP3	LP2	LP1
6450880-6	D	C B A	D	D	LS	LS	LS	LS	LS	LS
	C		C							
	B		B							
	A		A							
6LP + 8S										

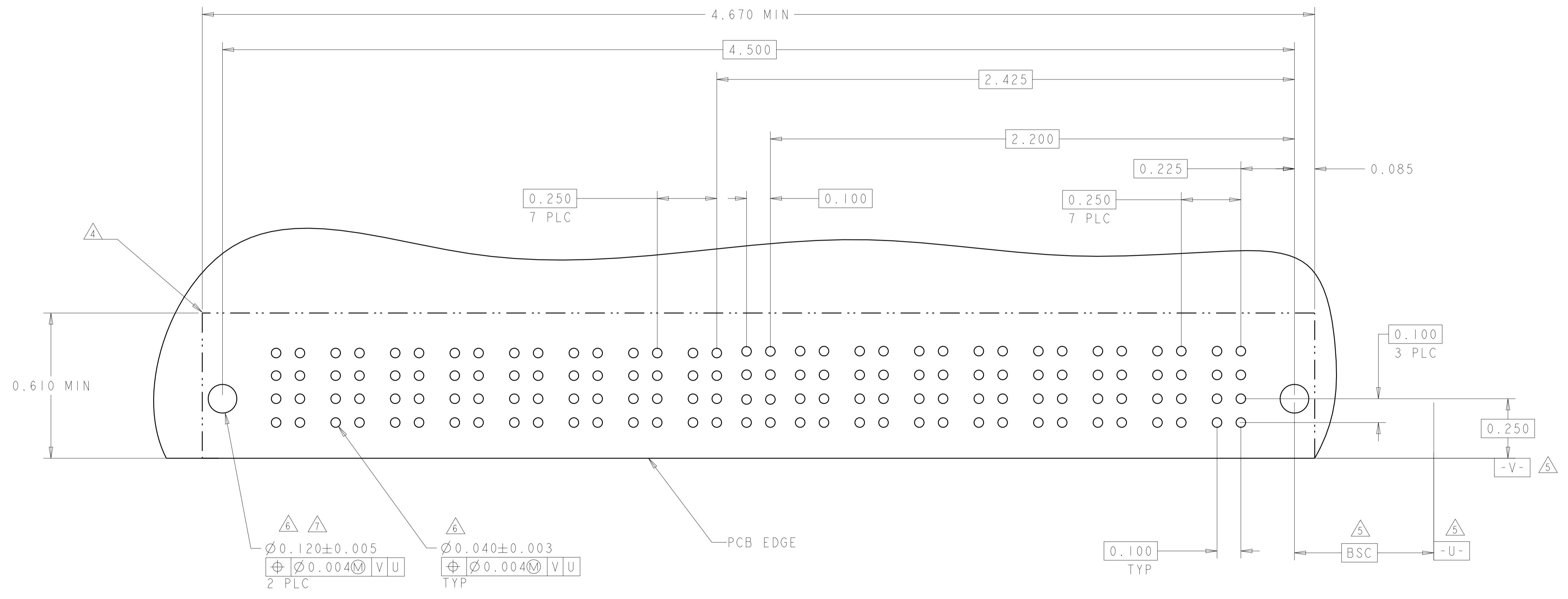


THIS DRAWING IS A CONTROLLED DOCUMENT.		DMN S. ZHAO 25MAY2007	
DIMENSIONS: INCHES		CHK S. ZHAO 25MAY2007	
TOLERANCES UNLESS OTHERWISE SPECIFIED:		APVD S. ZHAO 25MAY2007	
0 PLC ±.1 1 PLC ±.01 2 PLC ±.005 3 PLC ±.002 4 PLC ±.002 ANGLES ±.2° FINISH		NAME RIGHT ANGLE RECEPTACLE WITH LP CONTACT AND SHORT END MODULES MULTI-BEAM XLE PRODUCT SPEC 108-2292 APPLICATION SPEC 114-13251 WEIGHT CUSTOMER DRAWING	
MATERIAL		SIZE CAGE CODE DRAWING NO. A100779C=6450880	RESTRICTED TO
SCALE 4:1		SHEET 5 OF 13	REV F5

LOC		DIST		REVISIONS			
ES	00	P	LTM	DESCRIPTION	DATE	DMN	APVD
		-	-	SEE SHEET 1	-	-	-

PART NUMBER	ROWS	POWER									SIGNAL		POWER								
		P16	P15	P14	P13	P12	P11	P10	P9	2	1	P8	P7	P6	P5	P4	P3	P2	P1		
6450880-7	D C B A	RS	RS	RS	RS	RS	RS	RS	RS	RS	D	D	RS	RS	RS	RS	RS	RS	RS	RS	
											C	C									
											B	B									
											A	A									
8P + 8S + 8P																					

DI



THIS DRAWING IS A CONTROLLED DOCUMENT.

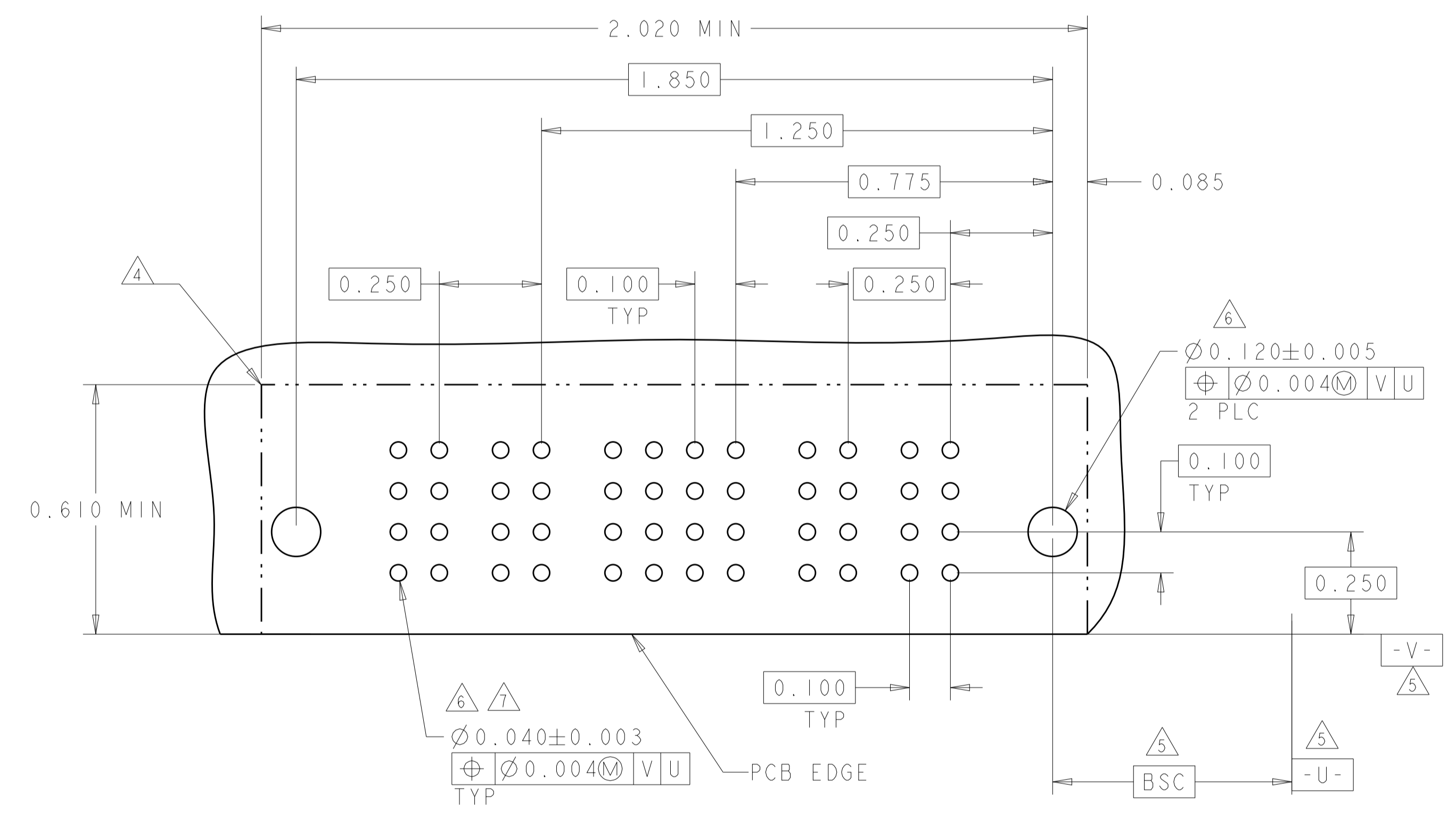
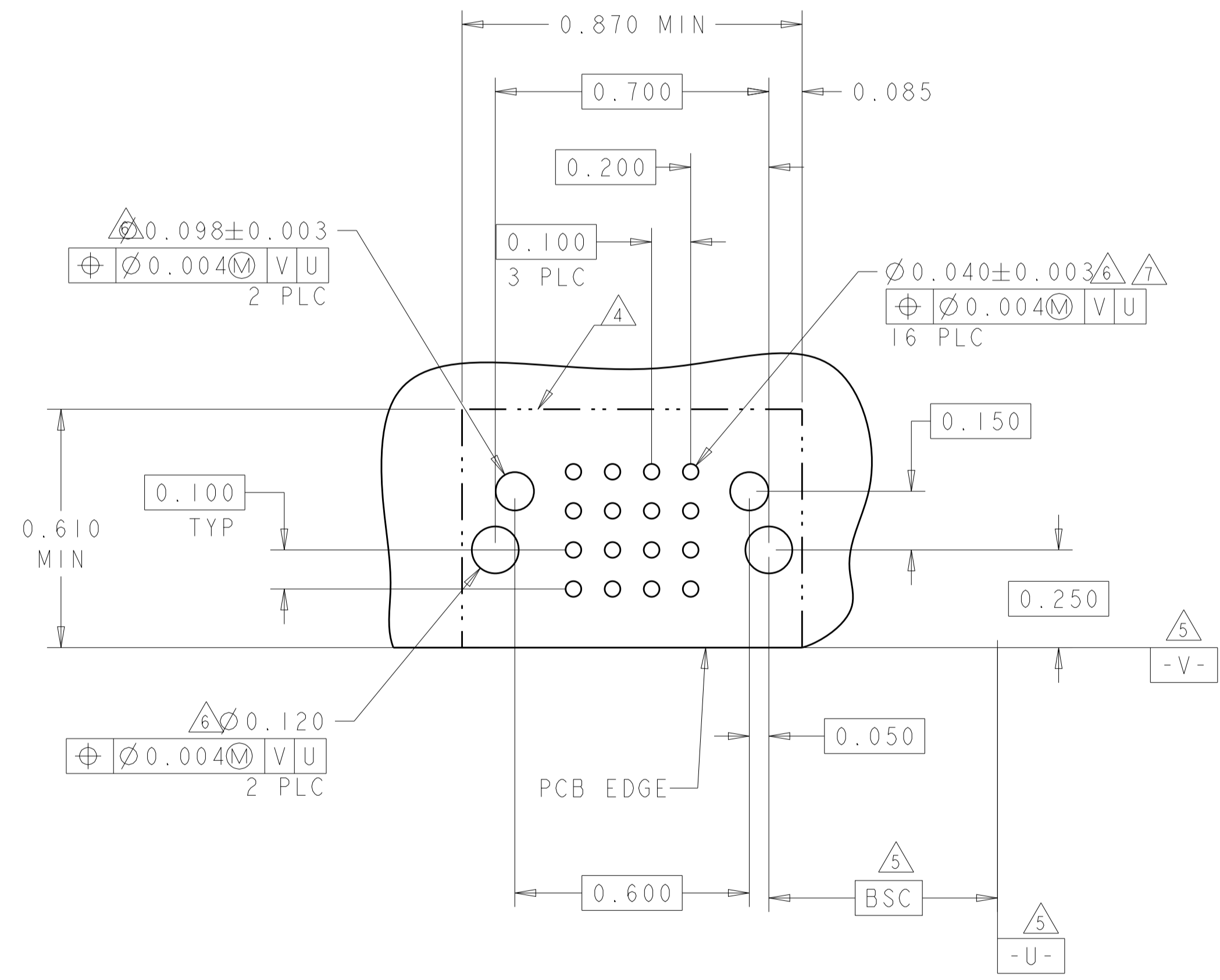
DIMENSIONS: INCHES	TOLERANCES UNLESS OTHERWISE SPECIFIED: 0 PLC ±.1 1 PLC ±.01 2 PLC ±.01 3 PLC ±.005 4 PLC ±.002 ANGLES ±.020	DMN S. ZHAO 25MAY2007 CHK S. ZHAO 25MAY2007 APVD S. ZHAO 25MAY2007	NAME RIGHT ANGLE RECEPTACLE WITH LP CONTACT AND SHORT END MODULES MULTI-BEAM XLE
MATERIAL	FINISH	PRODUCT SPEC 108-2292	APPLICATION SPEC
		SIZE 114-13251	RESTRICTED TO
		WEIGHT	A100779C=6450880
		CUSTOMER DRAWING	SCALE 4:1 SHEET 6 OF 13 REV F5

4805 (3/11)

LOC	DIST	REVISIONS			
P	LTN	DESCRIPTION	DATE	DMN	APVD
-	-	SEE SHEET 1	-	-	-

PART NUMBER	ROWS	SIGNAL			
		4	3	2	1
I-6450880-0	D	D	D	D	D
	C	C	C	C	C
	B	B	B	B	B
	A	A	A	A	A
16S		HD			HD

PART NUMBER	ROWS	POWER		SIGNAL				POWER	
		P4	P3	4	3	2	1	P2	P1
I-6450880-5	D	RS	RS	D	D	D	D	RS	RS
	C			C	C	C			
	B			B	B	B			
	A			A	A	A			
2P + 16S + 2P									

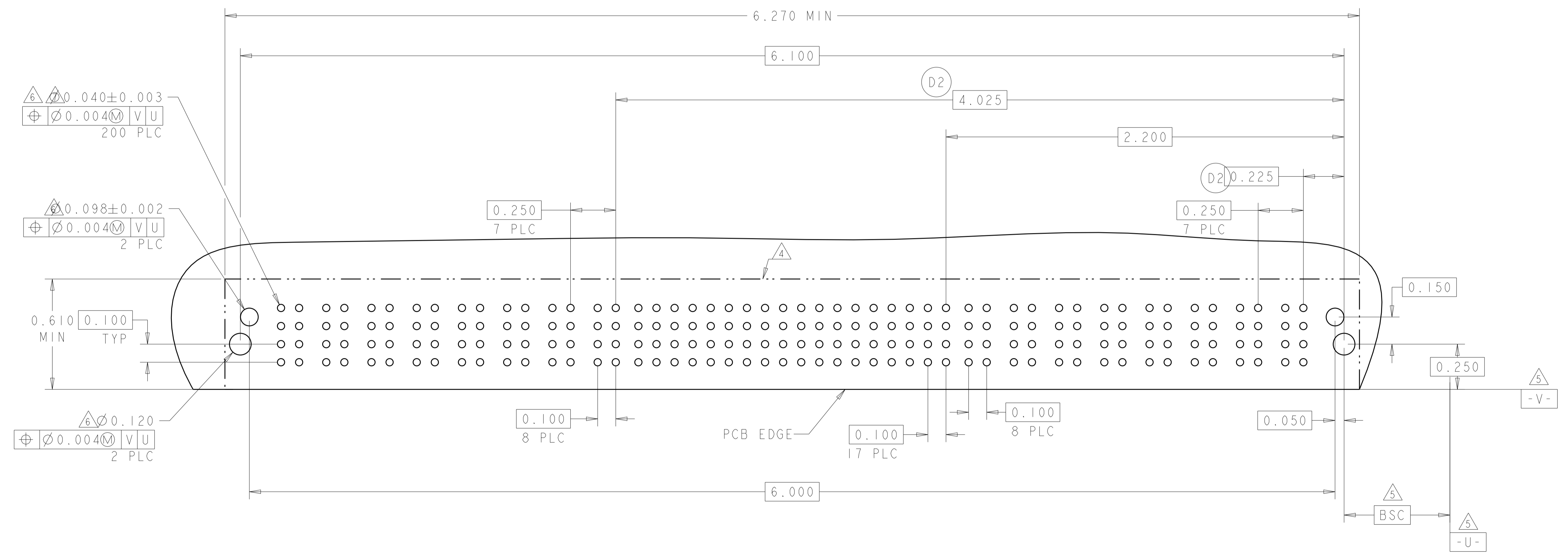


THIS DRAWING IS A CONTROLLED DOCUMENT.		DMN: S. ZHAO 25MAY2007	STE TE Connectivity
DIMENSIONS: INCHES		CHK: S. ZHAO 25MAY2007	
TOLERANCES UNLESS OTHERWISE SPECIFIED:		APVD: S. ZHAO 25MAY2007	NAME: RIGHT ANGLE RECEPTACLE WITH LP CONTACT AND SHORT END MODULES MULTI-BEAM XLE
0 PLC ±.1		PRODUCT SPEC: 108-2292	
1 PLC ±.01		APPLICATION SPEC: 114-13251	SIZE: A1 00779 C=6450880
2 PLC ±.005		RESTRICTED TO: -	
3 PLC ±.0020		WEIGHT: -	SCALE: 4:1 SHEET 7 OF 13 REV: F5
ANGLES ±.7°		CUSTOMER DRAWING	

LOC	DIST	REVISIONS			
		REV	DATE	BY	APPV
ES	00	1	SEE SHEET 1	-	-

D

PART NUMBER	ROWS	POWER							SIGNAL																	POWER																									
		P16	P15	P14	P13	P12	P11	P10	P9	18	17	16	15	14	13	12	11	10	9	8	7	6	5	4	3	2	1	P8	P7	P6	P5	P4	P3	P2	P1																
1-6450880-1	D	RP	RS	RS	RS	RS	RS	RS	D	D	D	D	D	D	D	D	D	D	D	D	D	D	D	D	D	D	D	D	D	D	D	D	D	D	RS	RS	RS	RS	RS	RS	RS	RP									
	C								C	C	C	C	C	C	C	C	C	C	C	C	C	C	C	C	C	C	C	C	C	C	C	C	C	C									C	C	C	C	C	C	C		
	B								B	B	B	B	B	B	B	B	B	B	B	B	B	B	B	B	B	B	B	B	B	B	B	B	B	B									B	B	B	B	B	B	B	B	B
	A								A	A	A	A	A	A	A	A	A	A	A	A	A	A	A	A	A	A	A	A	A	A	A	A	A	A									A	A	A	A	A	A	A	A	A
8P + 72S + 8P																																																			

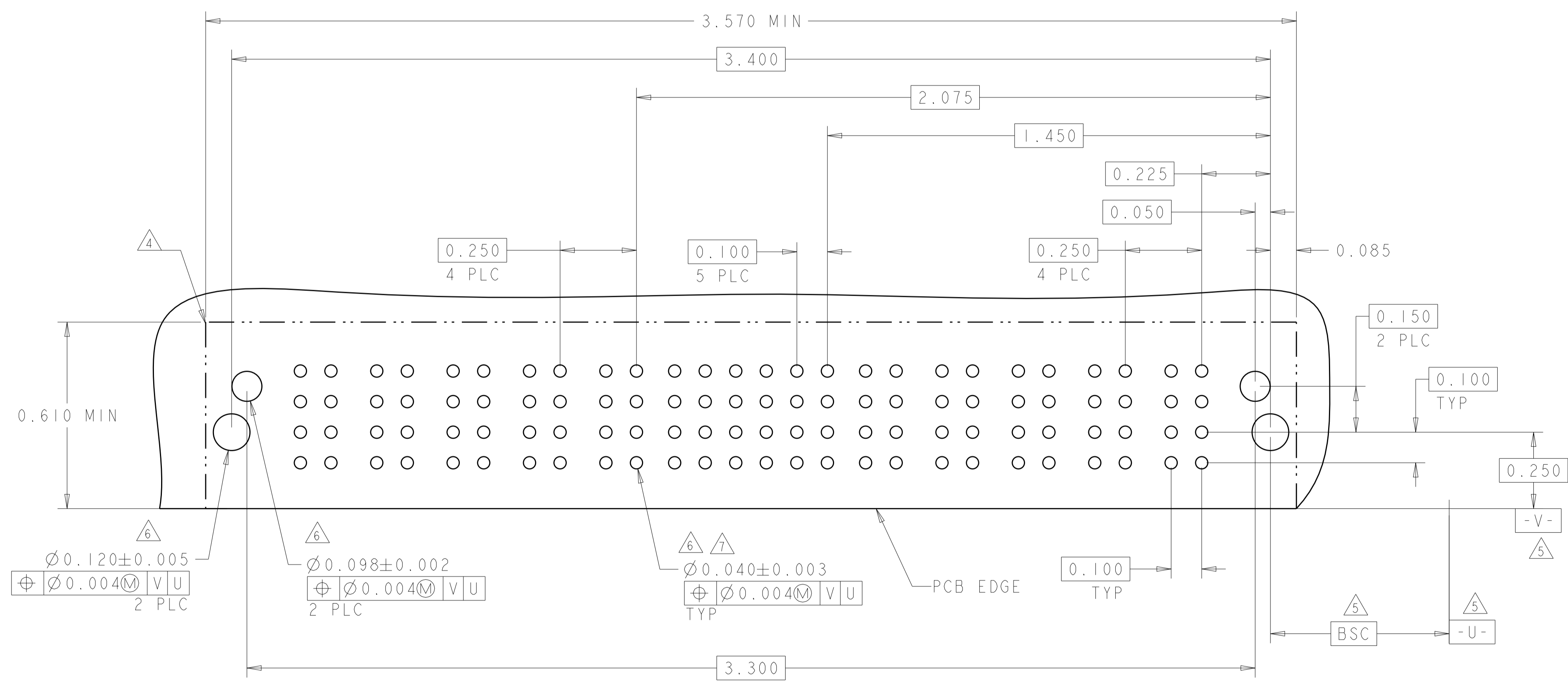


THIS DRAWING IS A CONTROLLED DOCUMENT.

DIMENSIONS: INCHES 	DWN S. ZHAO 25MAY2007 CHK S. ZHAO 25MAY2007 APVD S. ZHAO 25MAY2007	TE Connectivity NAME RIGHT ANGLE RECEPTACLE WITH LP CONTACT AND SHORT END MODULES MULTI-BEAM XLE PRODUCT SPEC 108-2292 APPLICATION SPEC 114-13251 WEIGHT - CAGE CODE 100779 DRAWING NO C=6450880 RESTRICTED TO -	
	TOLERANCES UNLESS OTHERWISE SPECIFIED: 0 PLC ±. 1 PLC ±.1 2 PLC ±.01 3 PLC ±.005 4 PLC ±.0020 ANGLES ±.0020 FINISH #7		SIZE A SCALE 4:1 SHEET 8 OF 13 REV F5
	MATERIAL - FINISH -		CUSTOMER DRAWING

LOC		DIST		REVISIONS			
ES	00	P	LTH	DESCRIPTION	DATE	OWN	APVD
		-		SEE SHEET 1			

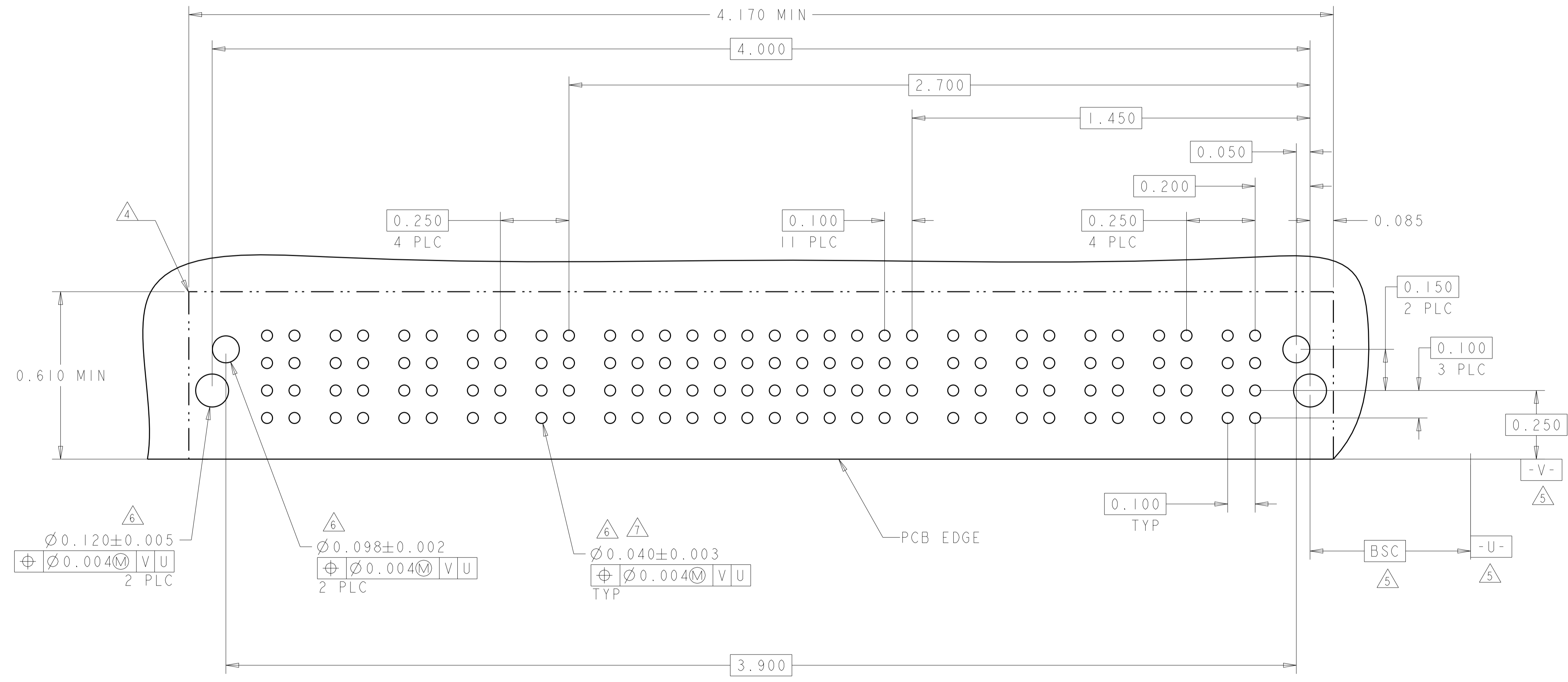
PART NUMBER	ROWS	POWER					SIGNAL						POWER				
		P10	P9	P8	P7	P6	6	5	4	3	2	1	P5	P4	P3	P2	P1
1-6450880-7	D C B A	RS	RS	RS	RS	RS	D	D	D	D	D	D	RS	RS	RS	RS	RS
							C	C	C	C	C	C					
							B	B	B	B	B	B					
							A	A	A	A	A	A					
5P + 24S + 5P																	



THIS DRAWING IS A CONTROLLED DOCUMENT.		OWN S. ZHAO 25MAY2007	
DIMENSIONS: INCHES		CHK S. ZHAO 25MAY2007	
TOLERANCES UNLESS OTHERWISE SPECIFIED:		APVD S. ZHAO 25MAY2007	
0 PLC ±.1 1 PLC ±.1 2 PLC ±.01 3 PLC ±.005 4 PLC ±.002 ANGLES ±.2°		PRODUCT SPEC 108-2292 APPLICATION SPEC 114-13251 WEIGHT CUSTOMER DRAWING	
MATERIAL		NAME RIGHT ANGLE RECEPTACLE WITH LP CONTACT AND SHORT END MODULES MULTI-BEAM XLE	RESTRICTED TO
FINISH		SIZE A100779	SCALE 4:1
		CAGE CODE	SHEET 9 OF 13
		DRAWING NO. C=6450880	REV F5

LOC	DIST	REVISIONS					
ES	00	P	LTN	DESCRIPTION	DATE	DWN	APVD
		-		SEE SHEET 1			

PART NUMBER	ROWS	POWER					SIGNAL										POWER										
		P10	P9	P8	P7	P6	12	11	10	9	8	7	6	5	4	3	2	1	P5	P4	P3	P2	P1				
I-6450880-8	D	RS	RS	RS	RS	RS	D	D	D	D	D	D	D	D	D	D	D	D	D	RS	RS	RS	RS	RS			
	C						C	C	C	C	C	C	C	C	C	C	C	C	C						C	C	
	B						B	B	B	B	B	B	B	B	B	B	B	B	B						B	B	B
	A						A	A	A	A	A	A	A	A	A	A	A	A	A						A	A	A
5P + 48S + 5P																											



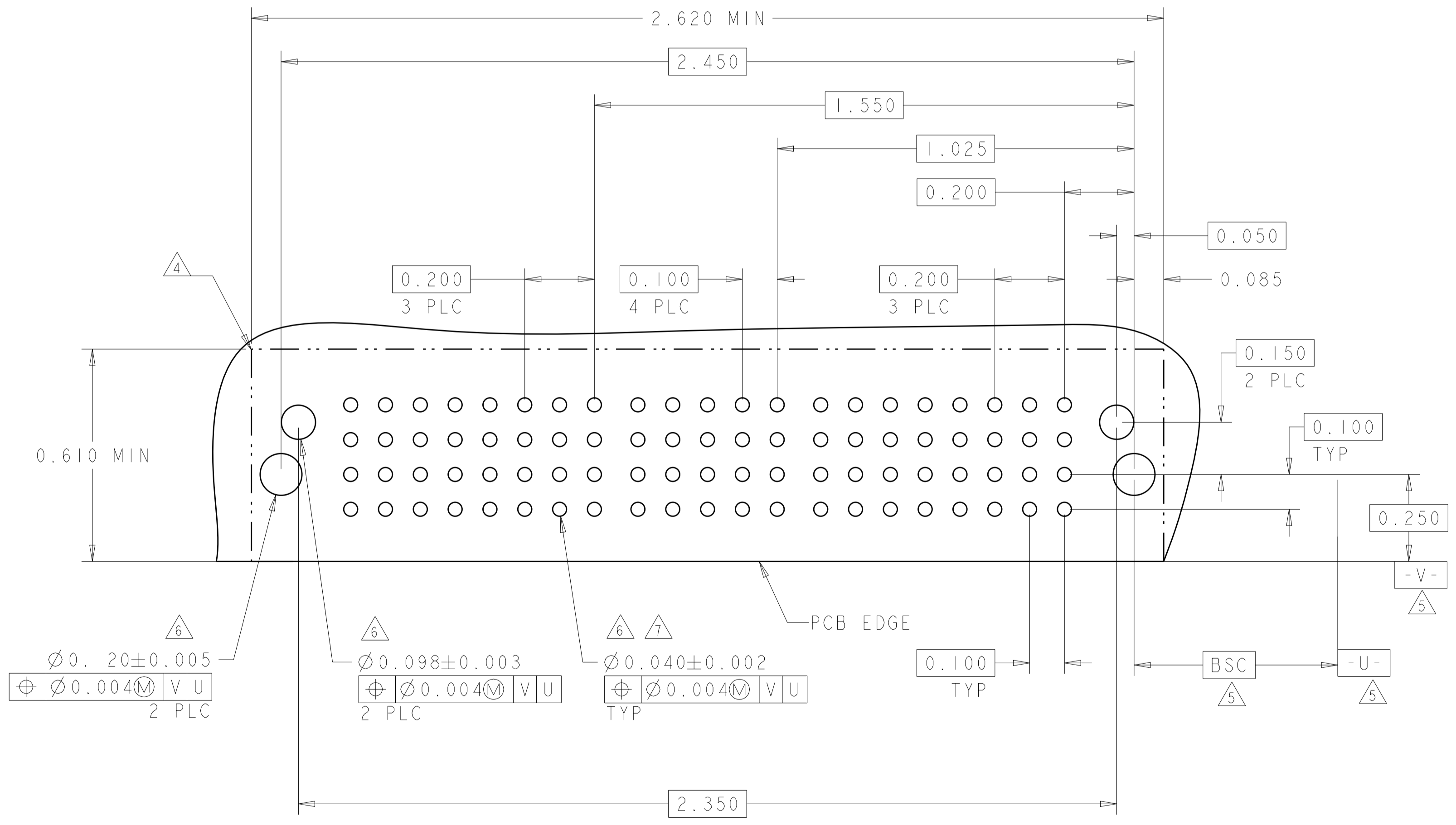
THIS DRAWING IS A CONTROLLED DOCUMENT.

DWN: S. ZHAO	25MAY2007		TE Connectivity NAME: RIGHT ANGLE RECEPTACLE WITH LP CONTACT AND SHORT END MODULES MULTI-BEAM XLE
CHK: S. ZHAO	25MAY2007		
APVD: S. ZHAO	25MAY2007		
PRODUCT SPEC: 108-2292	APPLICATION SPEC: 114-13251		
DIMENSIONS: INCHES		TOLERANCES UNLESS OTHERWISE SPECIFIED: 0 PLC ±.1 1 PLC ±.01 2 PLC ±.005 3 PLC ±.002 4 PLC ±.0020 ANGLES ±.2°	
MATERIAL: -		WEIGHT: - FINISH: -	
CUSTOMER DRAWING		SCALE: 4:1 SHEET 10 OF 13 REV: F5	

THIS DRAWING IS UNPUBLISHED. RELEASED FOR PUBLICATION 20
COPYRIGHT 20 BY TE CONNECTIVITY ALL RIGHTS RESERVED.

LOC	DIST	REVISIONS					
ES	00	P	LTH	DESCRIPTION	DATE	DWN	APVD
-	-	-	-	SEE SHEET 1	-	-	-

PART NUMBER	ROWS		POWER				SIGNAL					POWER				
			P8	P7	P6	P5	5	4	3	2	1	P4	P3	P2	P1	
1-6450880-9	D C B A	HD	RS	RS	RS	RS	D	D	D	D	D	RS	RS	RS	RS	HD
							C	C	C	C	C					
							B	B	B	B	B					
							A	A	A	A	A					
4HDP + 20S + 4HDP																

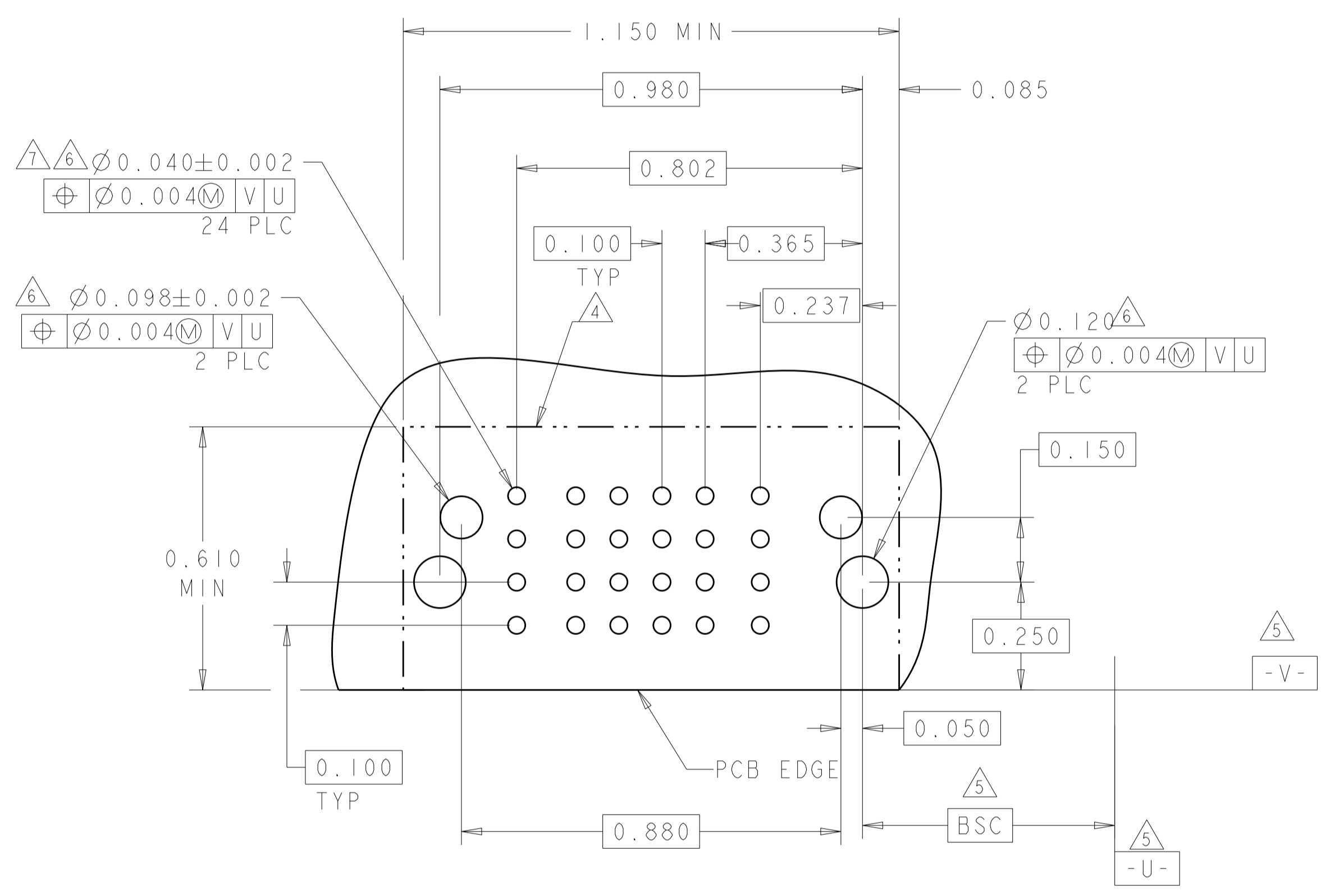


THIS DRAWING IS A CONTROLLED DOCUMENT.		DWN S. ZHAO 25MAY2007		NAME RIGHT ANGLE RECEPTACLE WITH LP CONTACT AND SHORT END MODULES MULTI-BEAM XLE SIZE CAGE CODE DRAWING NO RESTRICTED TO A100779 C=6450880 -	
DIMENSIONS: INCHES		CHK S. ZHAO 25MAY2007			PRODUCT SPEC 108-2292
		APVD S. ZHAO 25MAY2007			APPLICATION SPEC 114-13251
TOLERANCES UNLESS OTHERWISE SPECIFIED: 0 PLC ±. 1 PLC ±.1 2 PLC ±.01 3 PLC ±.005 4 PLC ±.002 ANGLES ±.7° FINISH		WEIGHT			SCALE 4:1 SHEET 11 OF 13 REV F5
MATERIAL		CUSTOMER DRAWING			

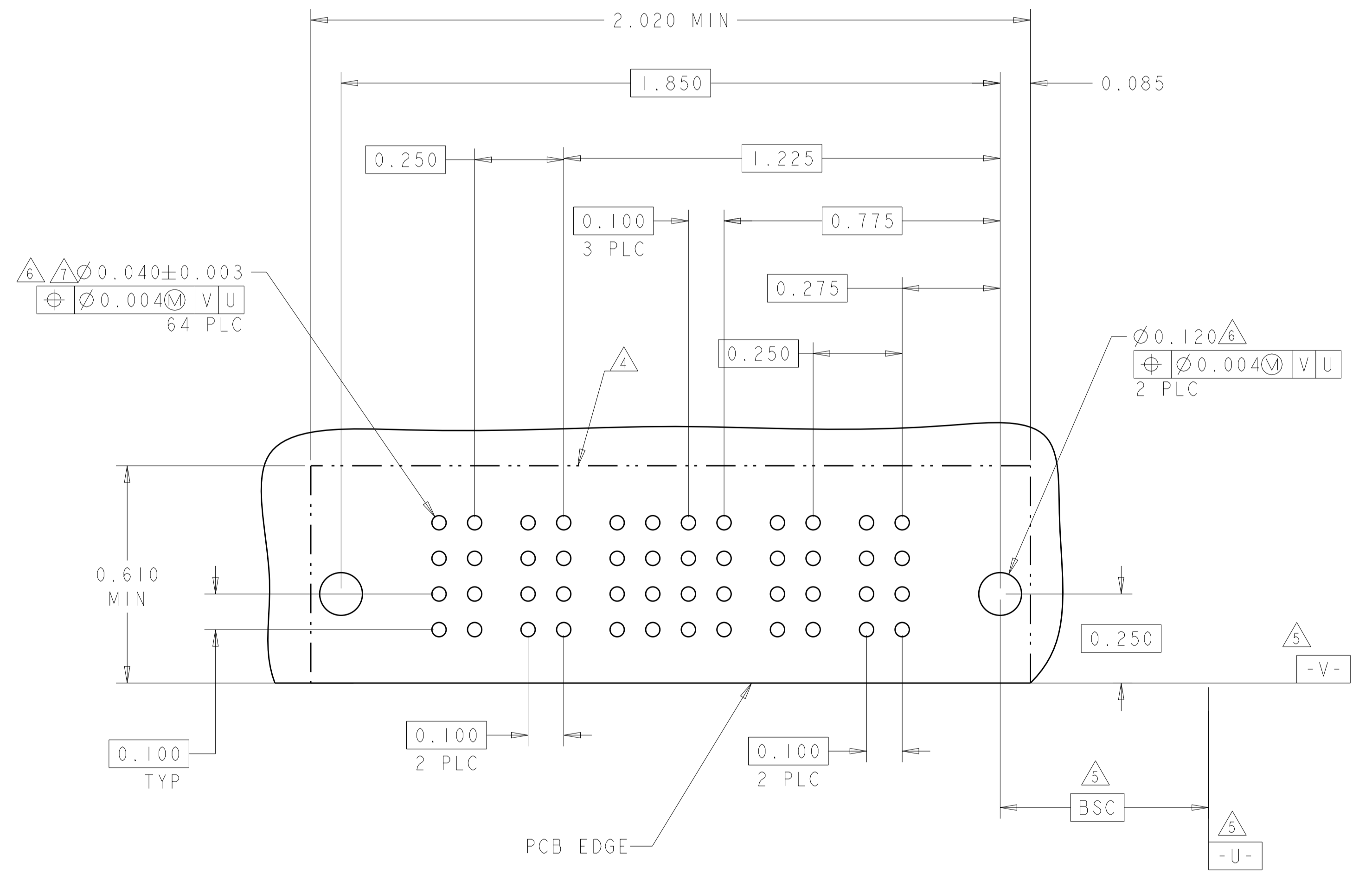
LOC	DIST	REVISIONS			
P	LTH	DESCRIPTION	DATE	DNW	APVD
-	-	SEE SHEET 1	-	-	-

PART NUMBER	ROWS	POWER	SIGNAL				POWER
			P2	4	3	2	
2-6450880-0	D C B A	LS	D C B A	D C B A	D C B A	D C B A	LS
ILP + 16S + ILP							

E7



PART NUMBER	ROWS	POWER	SIGNAL				POWER	
			P4	P3	4	3		2
2-6450880-6	D C B A	RS	RS	D C B A	D C B A	D C B A	RS	RS
2P + 16S + 2P								



THIS DRAWING IS A CONTROLLED DOCUMENT.

DIMENSIONS: INCHES	TOLERANCES UNLESS OTHERWISE SPECIFIED:	0 PLC ±.1	1 PLC ±.01	2 PLC ±.01	3 PLC ±.005	4 PLC ±.002	ANGLES ±.2°	FINISH
-----------------------	--	-----------	------------	------------	-------------	-------------	-------------	--------

DNW	S. ZHAO	25MAY2007
CHK	S. ZHAO	25MAY2007
APP'D	S. ZHAO	25MAY2007
PRODUCT SPEC	108-2292	
APPLICATION SPEC	114-13251	
WEIGHT		

STE TE Connectivity

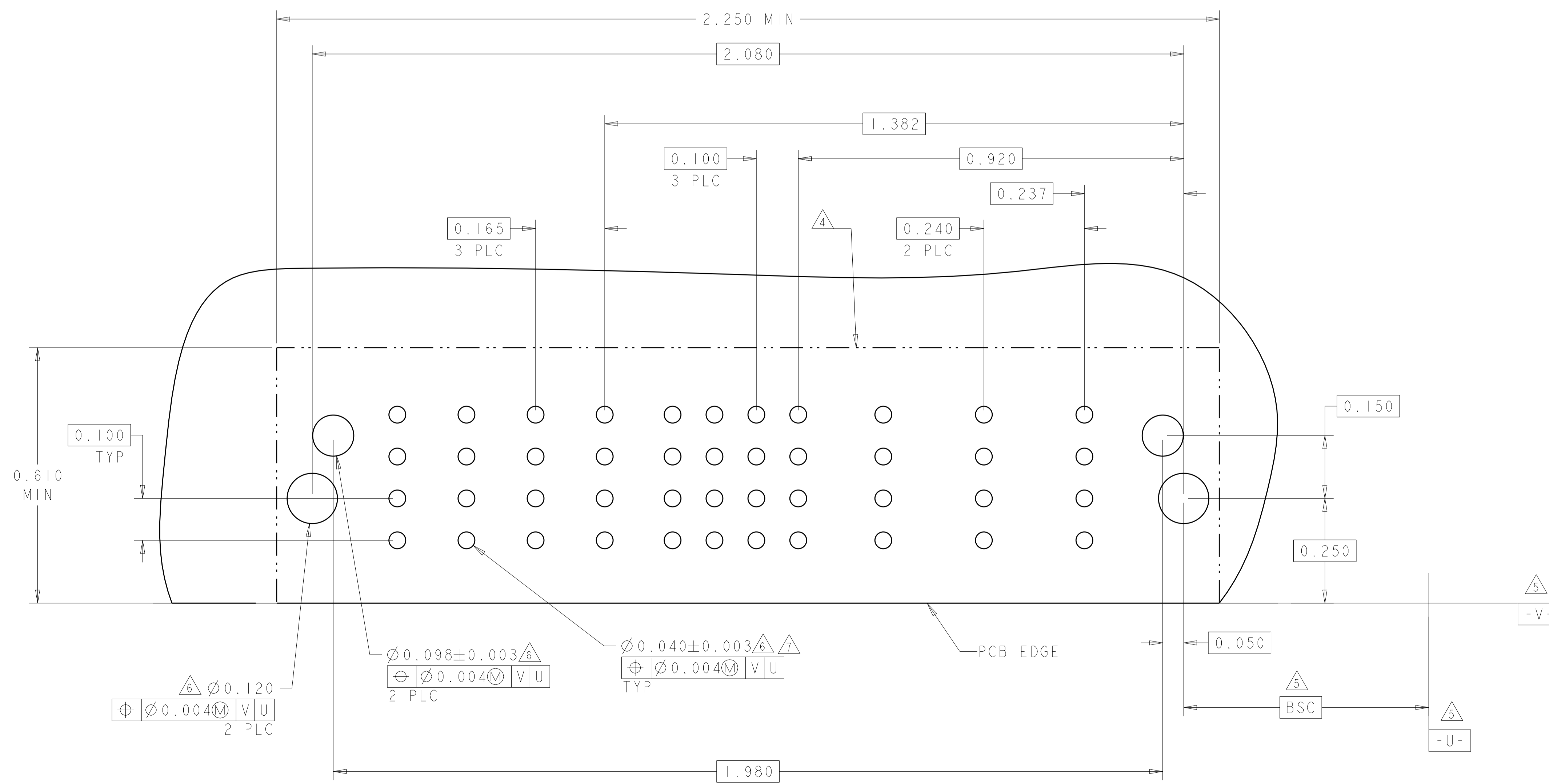
NAME: RIGHT ANGLE RECEPTACLE WITH LP CONTACT AND SHORT END MODULES MULTI-BEAM XLE

SIZE: A100779 C=6450880

CUSTOMER DRAWING SCALE: 4:1 SHEET 12 OF 13 REV: F5

LOC	DIST	REVISIONS					
ES	00	P	LTH	DESCRIPTION	DATE	DWN	APVD
		-		SEE SHEET 1			

PART NUMBER	ROWS	POWER				SIGNAL				POWER		
		LP7	LP6	LP5	LP4	4	3	2	1	LP3	LP2	LP1
2-6450880-7	D	LS	LS	LS	LS	D	D	D	D	LS	LS	LS
	C					C	C	C				
	B					B	B	B				
	A					A	A	A				
3LP + 16S + 4LP		HD										



THIS DRAWING IS A CONTROLLED DOCUMENT.		DWN: S. ZHAO 25MAY2007	 TE Connectivity
DIMENSIONS: INCHES		CHK: S. ZHAO 25MAY2007	
 TOLERANCES UNLESS OTHERWISE SPECIFIED: 0 PLC ±.1 1 PLC ±.1 2 PLC ±.01 3 PLC ±.005 4 PLC ±.002 ANGLES ±.2°		APVD: S. ZHAO 25MAY2007	
MATERIAL: -		FINISH: -	
NAME: RIGHT ANGLE RECEPTACLE WITH LP CONTACT AND SHORT END MODULES MULTI-BEAM XLE		PRODUCT SPEC: 108-2292	RESTRICTED TO: -
APPLICATION SPEC: 114-13251		SIZE: A1	CAGE CODE: 6450880
CUSTOMER DRAWING		SCALE: 4:1	SHEET 13 OF 13

X-ON Electronics

Largest Supplier of Electrical and Electronic Components

Click to view similar products for [Power to the Board](#) category:

Click to view products by [TE Connectivity](#) manufacturer:

Other Similar products are found below :

[10131318-08512GRLF](#) [6450171-4](#) [6450552-7](#) [6600323-8](#) [6643429-1](#) [6646040-2](#) [6651939-1](#) [6766604-1](#) [120959-1](#) [1393557-2](#) [1393532-2](#)
[1393532-3](#) [1393532-4](#) [1393557-1](#) [1600812-5](#) [1-6450861-2](#) [1645595-1](#) [1743490-1](#) [1744132-7](#) [1761122-1](#) [1766169-1](#) [1766250-1](#) [18362](#)
[1892109-1](#) [1-967627-6](#) [2226808-1](#) [2-6450860-5](#) [2-6450860-6](#) [2-6450870-0](#) [93003-0502](#) [953552-1](#) [1-6450161-4](#) [1-6450850-6](#) [1645526-2](#) [1-](#)
[6600130-0](#) [1743419-1](#) [1766150-1](#) [2005243-2](#) [211110-1](#) [2-6600130-2](#) [TE34-12-16P-F0](#) [51700-10201602AALF](#) [5-6450830-6](#) [5646956-4](#)
[36662-0005](#) [40585-3000](#) [4-6450830-9](#) [4-6600333-3](#) [51142-0214](#) [10125416-4050LF](#)