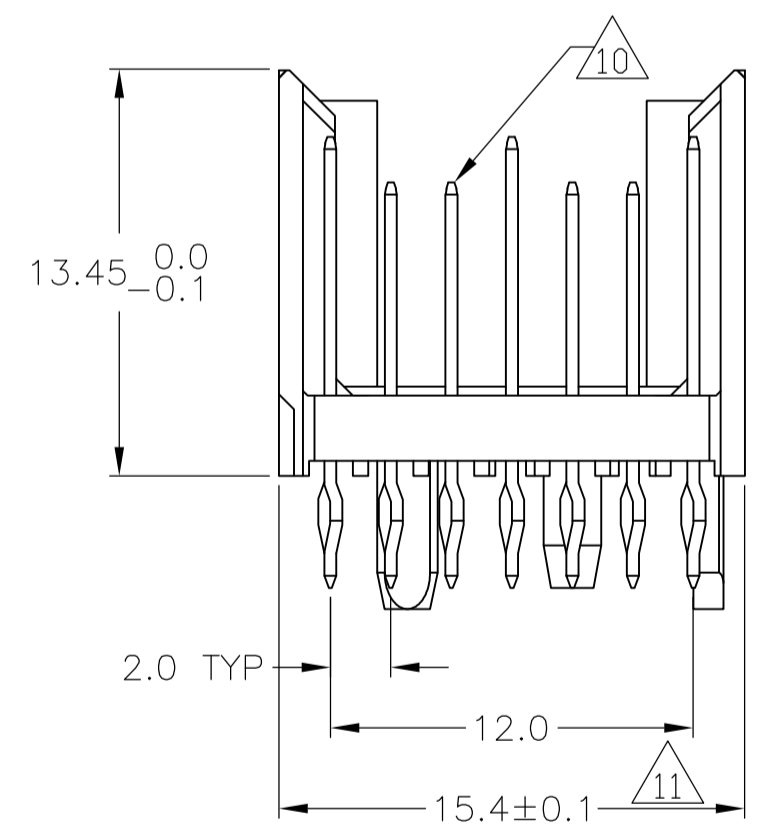
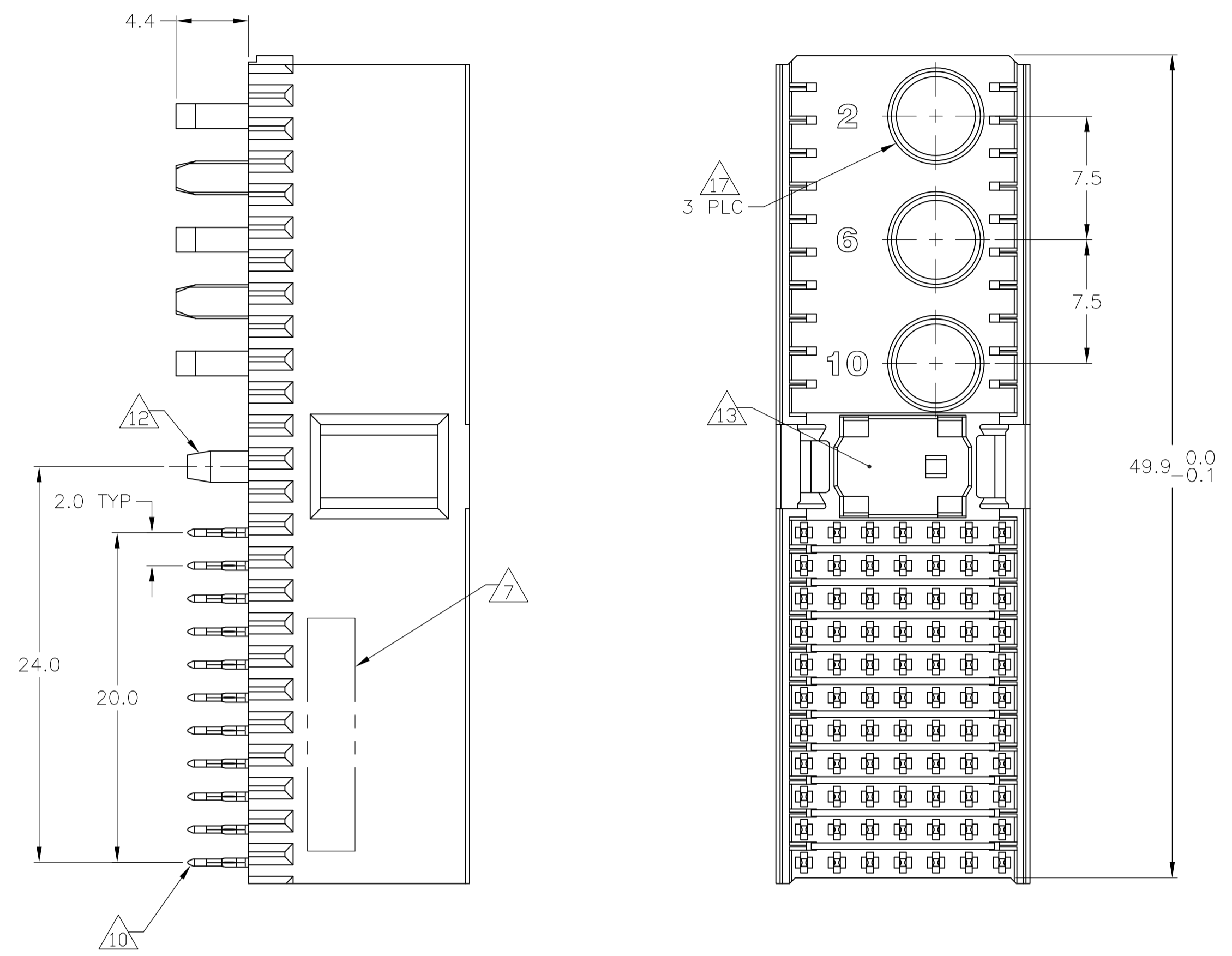
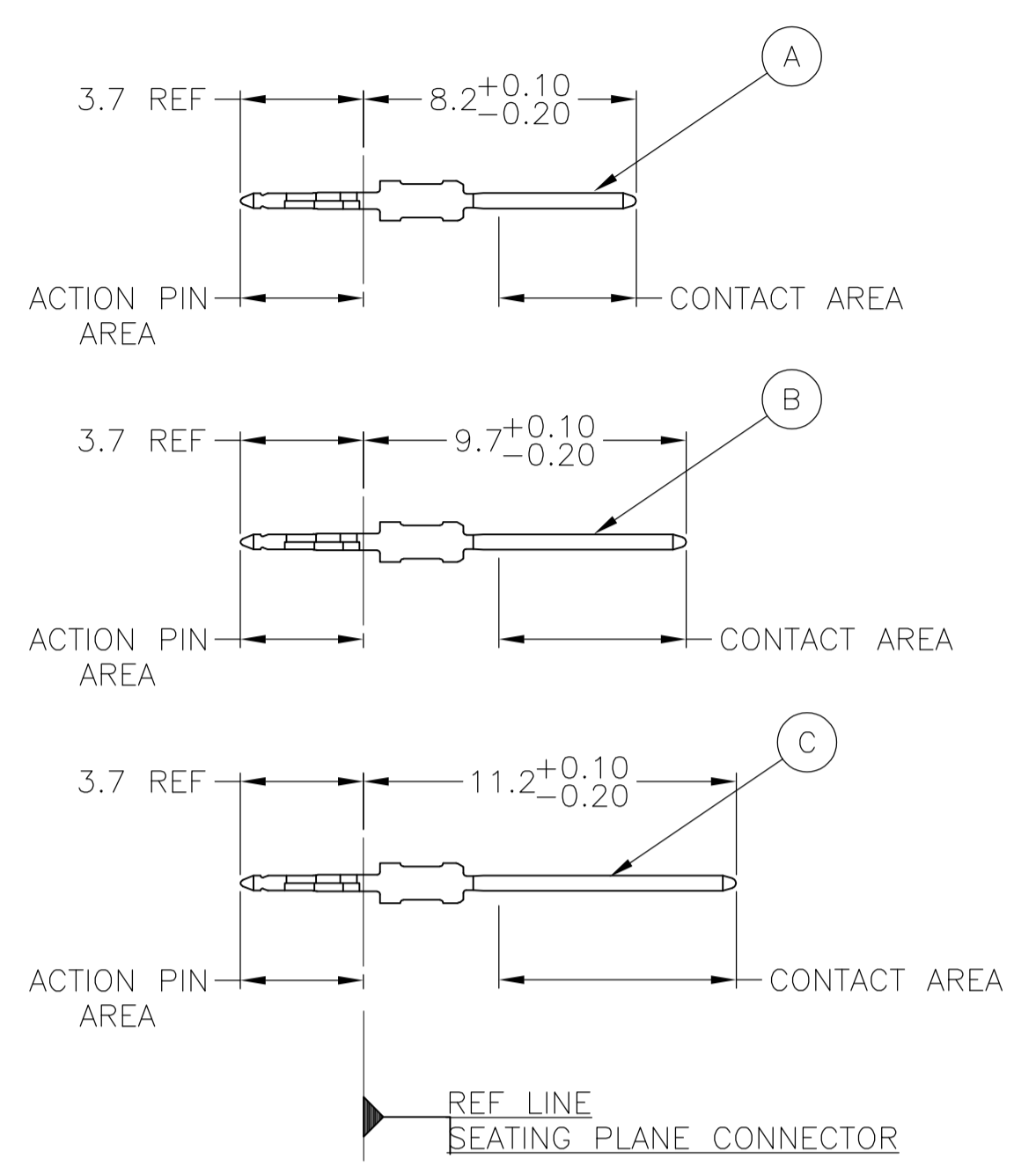


LOC	DIST	REVISIONS				
AD	00	REV	DESCRIPTION	DATE	BY	APPV
A		REVISED PER ECN 0512-0306-05	01JUN06	JDP	GES	
B		ECR-10-019054	15SEP10	DP	MQW	
C		ECR-12-009853	30NOV12	SY	AC	

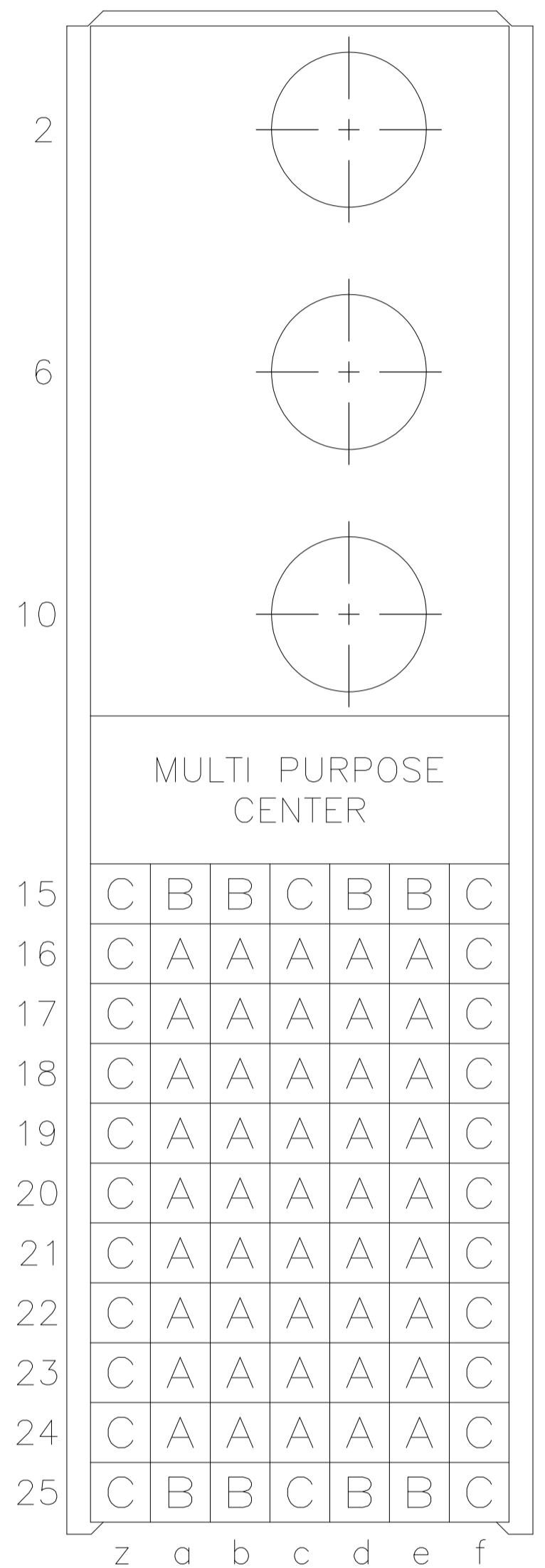
### CONNECTOR ASSEMBLY EXAMPLARY LOADED $\Delta$ 9



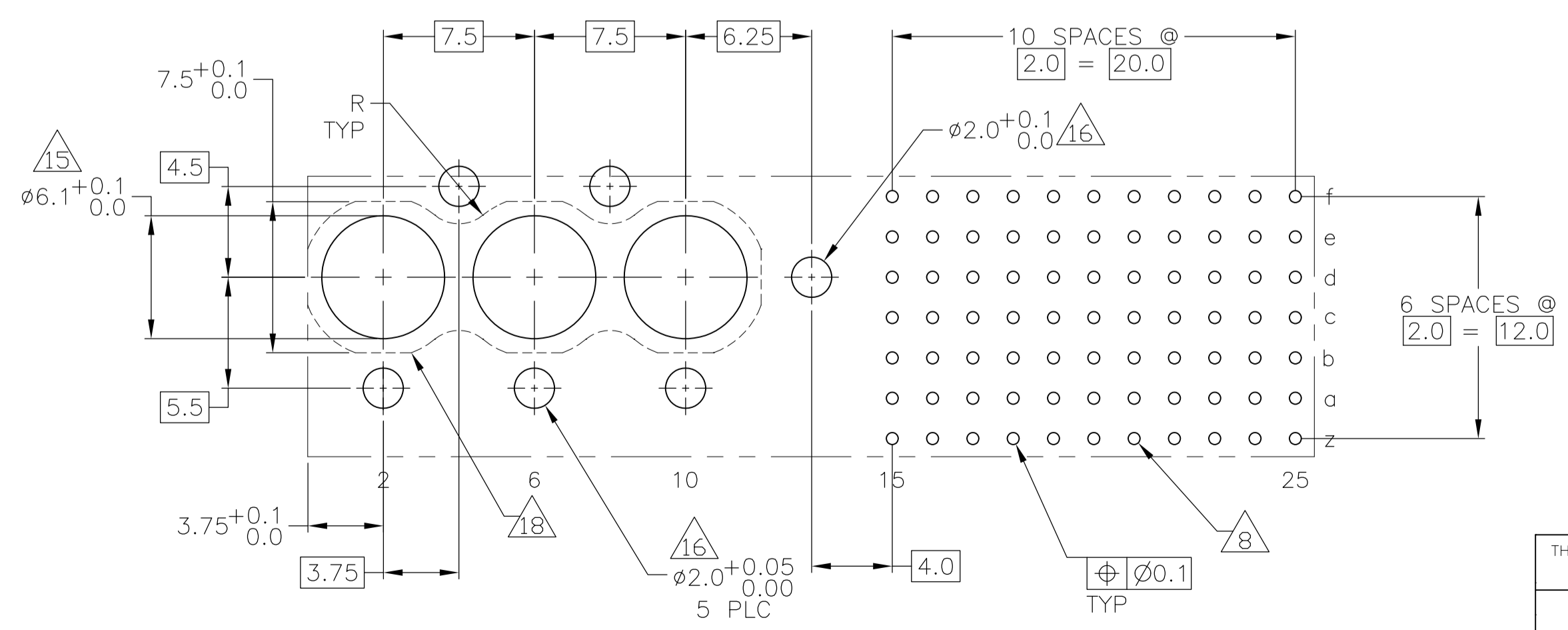
### CONTACT DIMENSIONS SCALE 5:1



### CONTACT LAYOUT



### RECOMMENDED PCB-HOLE LAYOUT COMPONENT SIDE SHOWN



### PLATED THRU HOLES PARAMETERS REFERENCE APPLICATION SPECIFICATION

	$\Delta$ 2	$\Delta$ 6	$\Delta$ 14	1-1645245-9
	$\Delta$ 2	$\Delta$ 5	$\Delta$ 14	1645245-9
	$\Delta$ 2	$\Delta$ 4	$\Delta$ 4	1645245-4
OBSOLETE	$\Delta$ 2	$\Delta$ 3	$\Delta$ 3	1645245-1
FINISH				PART NUMBER

THIS DRAWING IS A CONTROLLED DOCUMENT.

DIMENSIONS: mm	TOLERANCES UNLESS OTHERWISE SPECIFIED:	DIN J. POLIGNONE 01JUN06	Tyco Electronics Corporation Harrisburg, Pa 17105-3608
$\varnothing$	0-PLC ±	CHK G. SKIPPER 01JUN06	
$\varnothing$	1-PLC ± 0.2	APVD G. SKIPPER 01JUN06	NAME MALE ASSEMBLY, Z-PACK 2mm HM, TYPE M
$\varnothing$	2-PLC ± 0.02	PRODUCT SPEC	108-19082
$\varnothing$	3-PLC ± 0.005	APPLICATION SPEC	114-19029
$\varnothing$	4-PLC ± 0.005	SIZE	A1
$\varnothing$	ANGLES ± 0.30°	WEIGHT	00779
MATERIAL $\Delta$ 1	FINISH SEE TABLE	CUSTOMER DRAWING	SCALE 4:1 SHEET 1 OF 2 REV C

LOC		DIST		REVISIONS			
#	CHR	DESCRIPTION	DATE	DWN	APVD		
AD	00	SEE SHEET 1	-	-	-		

- 1 MATERIAL:  
CONTACT: PHOSPHOR BRONZE.  
HOUSING: GLASS-FILLED POLYESTER.
- 2 GENERAL PLATING SPECIFICATION: UNDERPLATING  
(ENTIRE CONTACT): 1.27µm MIN NICKEL AND ACTION  
PIN: 0.5µm MIN TIN/LEAD.  
FOR PLATING OF MATING SURFACES SEE APPLICABLE  
SPECIFICATION REFERENCE FOR EACH DASH NUMBER.
- 3 CONFORMS TO ALL TESTING ACCORDING TO IEC 61076-4-101  
PERFORMANCE LEVEL 2.
- 4 CONFORMS TO ALL TESTING ACCORDING TO IEC 61076-4-101  
PERFORMANCE LEVEL 1.
- 5 CONNECTOR TESTED AND QUALIFIED AGAINST TELCORDIA GR-1217-CORE QUALITY LEVEL 3,  
CENTRAL OFFICE APPLICATIONS.
- 6 CONNECTOR TESTED AND QUALIFIED AGAINST TELCORDIA GR-1217-CORE QUALITY LEVEL 3,  
UNCONTROLLED ENVIROMENT APPLICATIONS.
- 7 CONNECTOR MARKED WITH PART NUMBER AND DATE CODE.  
ADDITIONAL CHARACTERS OR MARKINGS, AS WELL AS THE LOCATION  
OF THE MARKINGS, MAY BE ADDED FOR TRACEABILITY BASED UPON  
MANUFACTURERS DISCRETION.
- 8 PLATED-THROUGH HOLES AT 2x2mm SQUARE GRID  
PATTERN DEFINED BY CONTACT LAYOUT.
- 9 FOR ACTUAL PIN LOADING SEE "CONTACT LAYOUT".
- 10 FOR ACTUAL PIN DIMENSIONS SEE "CONTACT DIMENSIONS".
- 11 TO BE MEASURED AT BOTTOM OF SHROUD.
- 12 POLARIZATION FEATURE.
- 13 AREA RESERVERD FOR KEYING PART (BASIC P/N 100525).
- 14 CONNECTOR LUBRICATED WITH TELCORDIA APPROVED LUBRICANT,  
TECHNICAL REFERENCE: TR-NWT-001217 ISSUE 1, SEP 1992.
- 15 NOT PLATED THROUGH HOLES. TO BE REPLACED BY  $\phi 5.9^{+0.1}_{-0.0}$  PLATED THOUGH  
HOLES IF STRAIGHT SOLDER CONTACTS ARE APPLIED.
- 16 NOT PLATED THROUGH HOLES.
- 17 CONTACT CAVITIES SUITABLE FOR  $\phi 4.8$  HIGH CURRENT, HIGH FREQUENCY OR  
FIBRE OPTIC CONTACTS AS PER DIN 41626 (SEE ALSO NOTE 14 AND 15).
- 18 PATTERN FOR FIBRE OPTIC CONTACTS.

THIS DRAWING IS A CONTROLLED DOCUMENT.		DWN J. POLIGNONE 01JUN06	Tyco Electronics Corporation Harrisburg, Pa 17105-3608	
DIMENSIONS: mm		CHK G. SKIPPER 01JUN06	NAME MALE ASSEMBLY, Z-PACK 2mm HM, TYPE M	
TOLERANCES UNLESS OTHERWISE SPECIFIED:		APVD G. SKIPPER 01JUN06	RESTRICTED TO	
0-PLG ± 1-PLG ± 0.2 2-PLG ± 0.02 3-PLG ± 0.005 4-PLG ± ANGLES ± 0.30°		PRODUCT SPEC 108-19082	SIZE A1	CAGE CODE 00779
MATERIAL SEE SHEET 1		APPLICATION SPEC 114-19029	DRAWING NO 1645245	REV C
FINISH SEE SHEET 1		WEIGHT -	SCALE 4:1 SHEET 2 OF 2	
CUSTOMER DRAWING				

## X-ON Electronics

Largest Supplier of Electrical and Electronic Components

*Click to view similar products for [Hard Metric Connectors](#) category:*

*Click to view products by [TE Connectivity](#) manufacturer:*

Other Similar products are found below :

[10146110-VR5C](#) [6345127-1](#) [646916-9](#) [6469658-1](#) [853016](#) [973108](#) [1-2000713-0](#) [1-2000713-2](#) [1-2000713-3](#) [120646-1](#) [134187](#) [1645343-1](#)  
[1645456-1](#) [1645564-3](#) [1645594-1](#) [1645601-1](#) [1934822-1](#) [2000829-2](#) [2000985-2](#) [223085-1](#) [278071110010833](#) [1645179-1](#) [1645245-1](#)  
[1645457-1](#) [1645525-1](#) [1645570-1](#) [1645596-1](#) [17-8072-125-000-863+](#) [1857470-1](#) [1934275-1](#) [1934289-1](#) [1934759-1](#) [2000670-2](#) [2000673-1](#)  
[2000843-2](#) [2000984-2](#) [204975](#) [2170292-2](#) [2-536642-6](#) [3-100668-0](#) [3-106015-1](#) [352188-1](#) [352629-1](#) [3-646346-0](#) [3-646356-0](#) [3-646457-0](#) [3-646529-0](#) [3-646530-0](#) [5120823-1](#) [5120899-1](#)