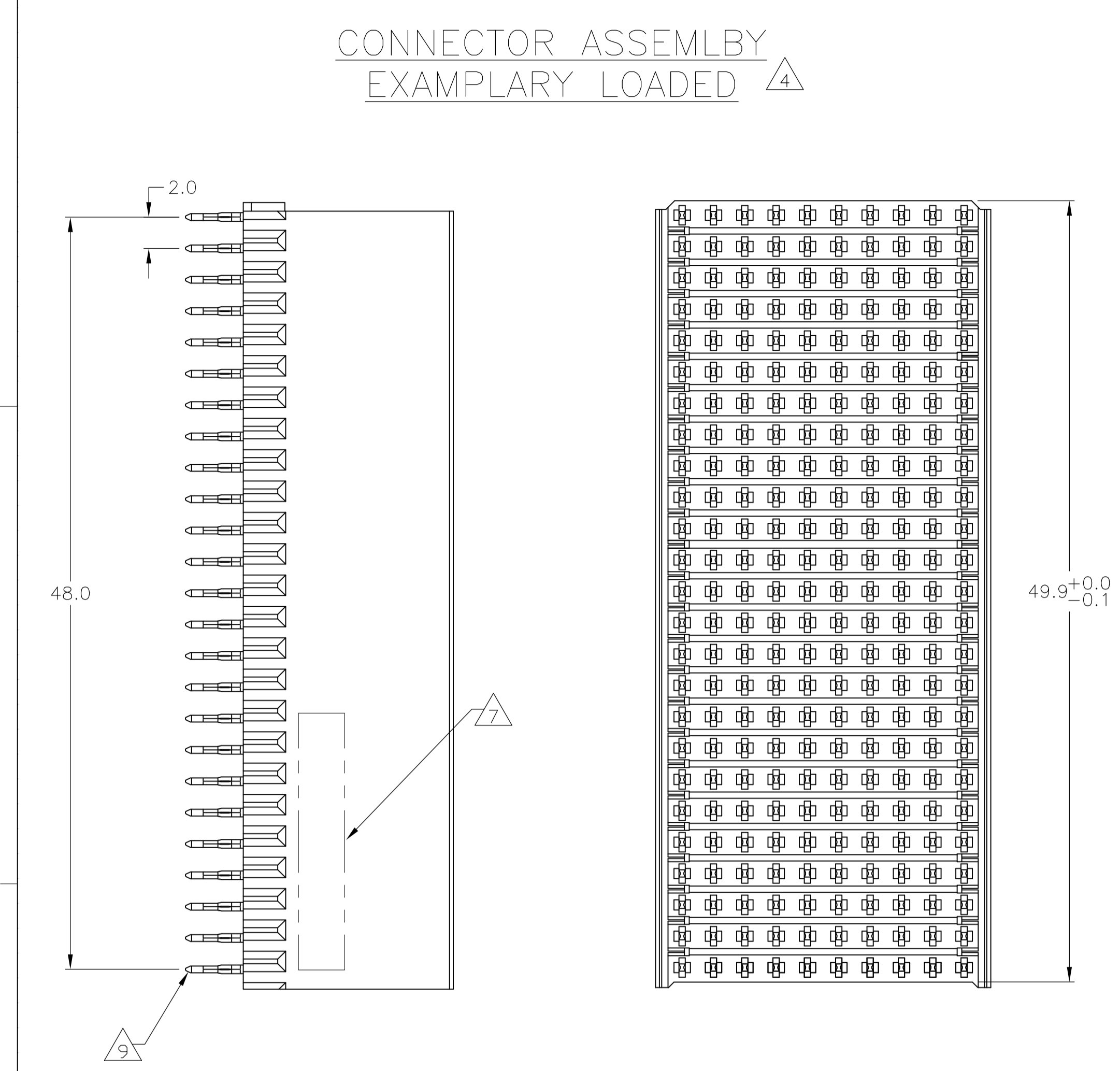
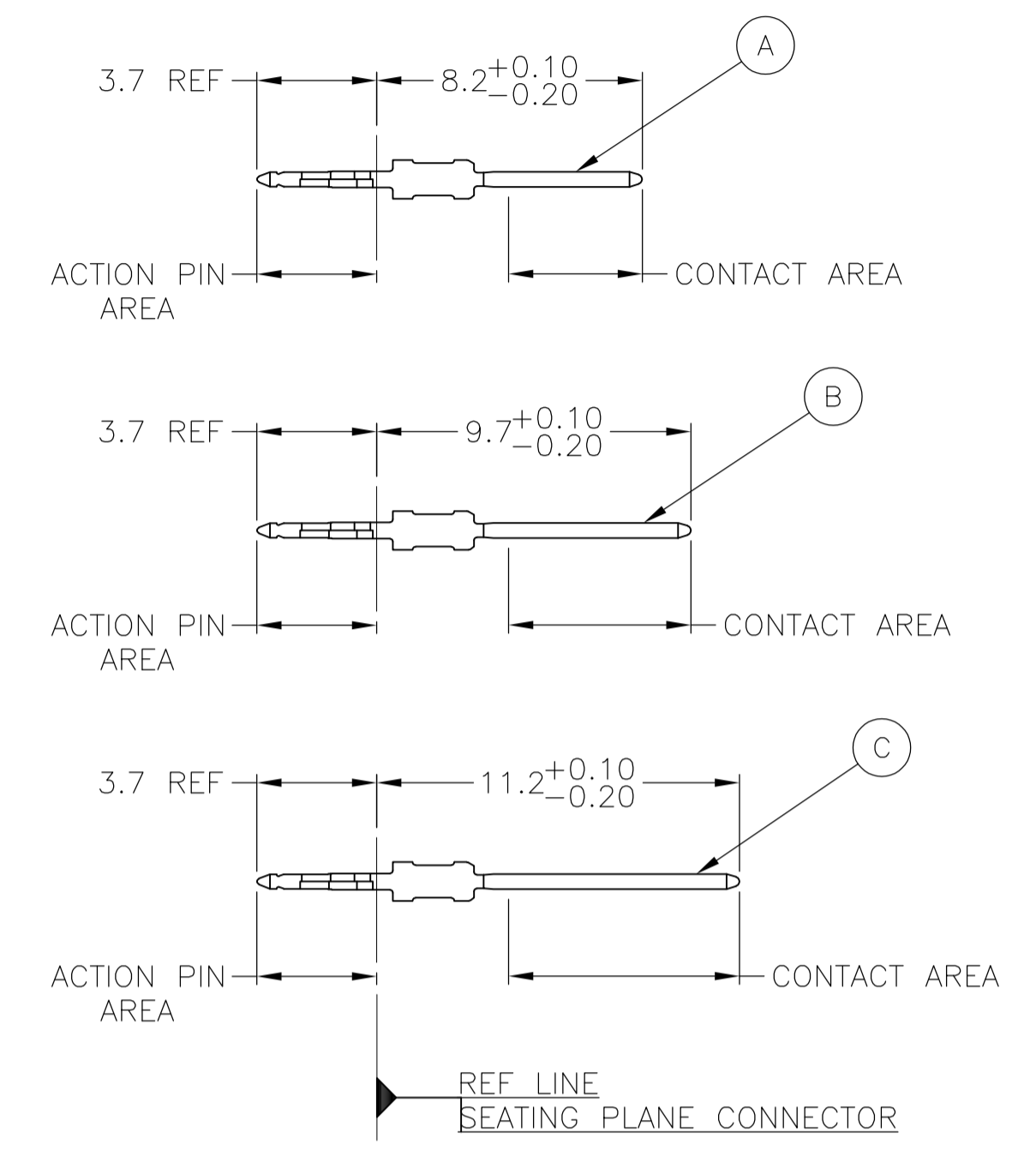


LOC		DIST		REVISIONS			
AD	00	P	LTR	DESCRIPTION	DATE	DMN	APVD
		0			05APR06	JDP	GES
		A		ECR-10-018652	10SEP10	JS	MQW
		B		ECR-12-009853	6NOV12	SY	AC



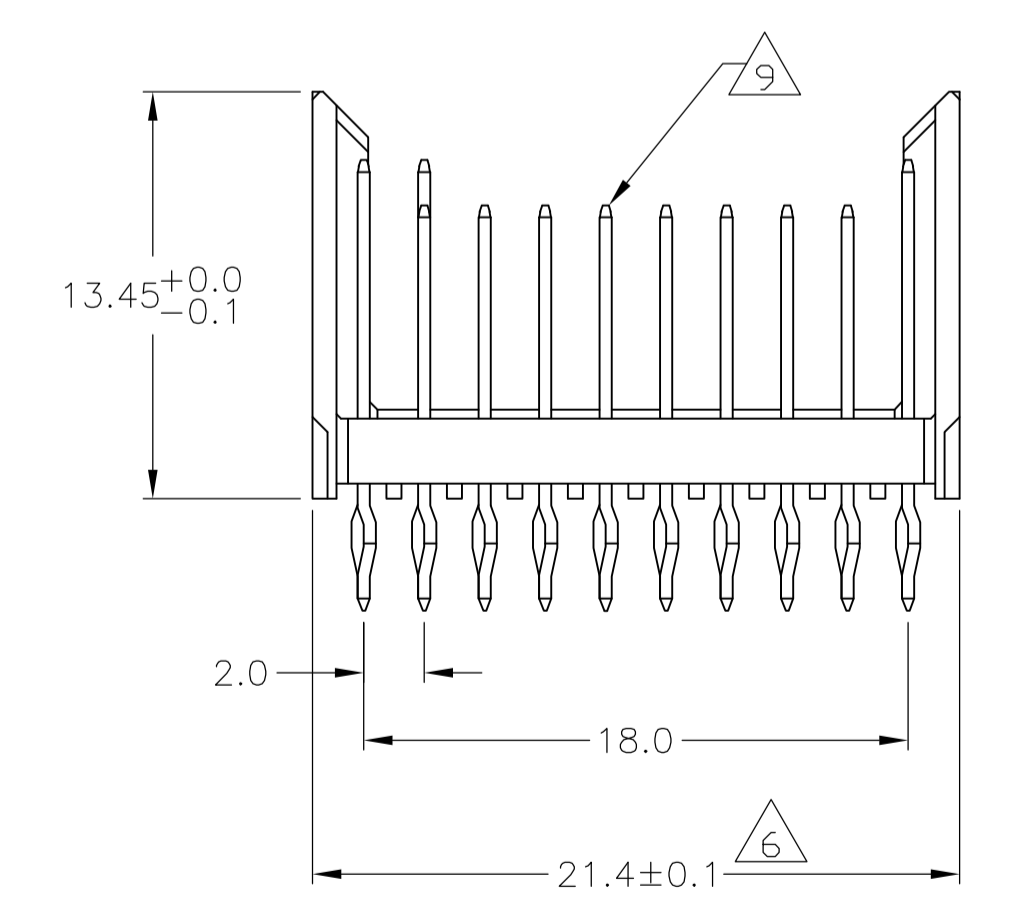
CONTACT DIMENSIONS

SCALE 5:1



CONTACT LAYOUT

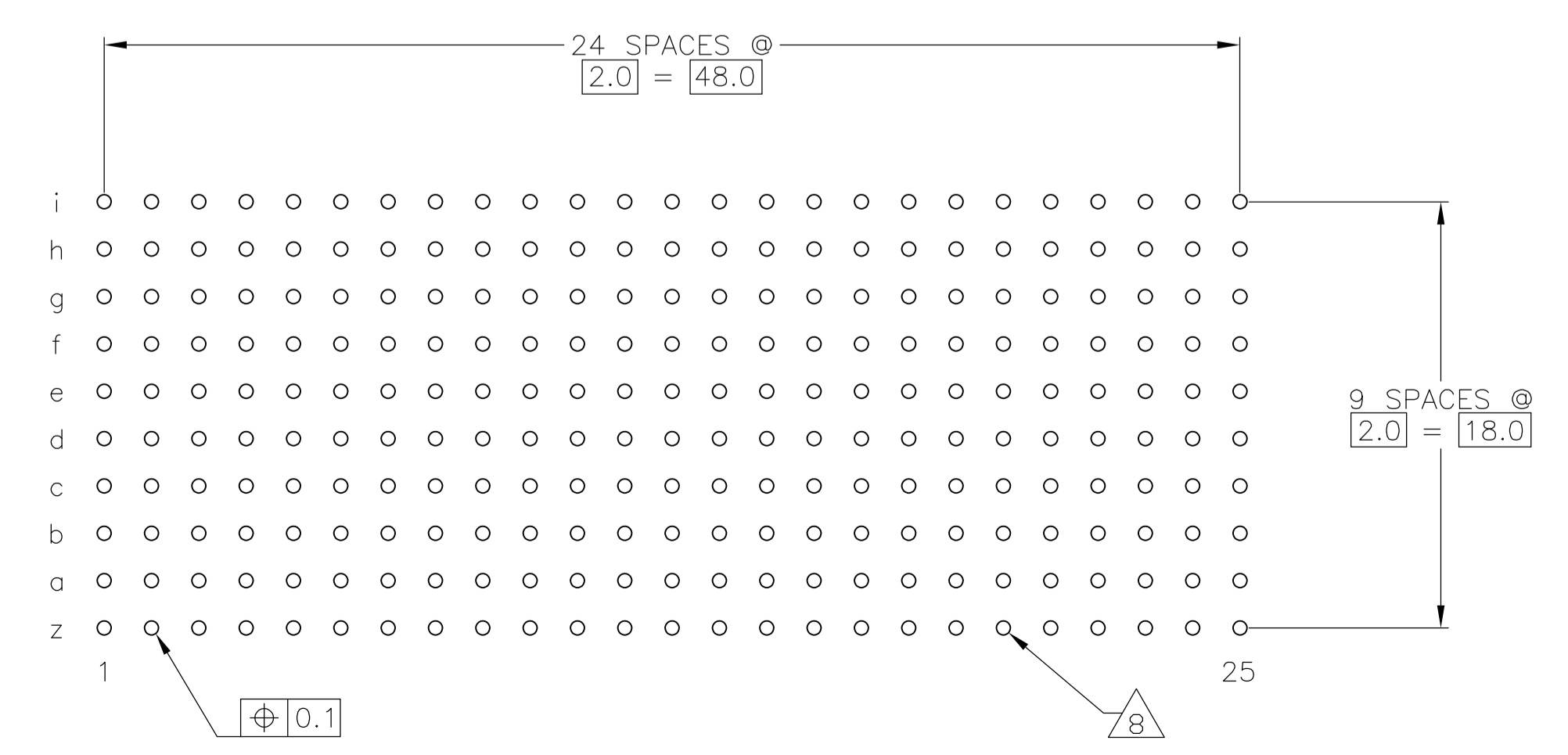
	z	a	b	c	d	e	f	g	h	i
1	C	B	B	B	B	B	B	B	B	C
2	C	B	B	B	B	B	B	B	B	C
3	C	B	B	B	B	B	B	B	B	C
4	C	C	B	B	B	B	B	B	B	C
5	C	B	B	B	B	B	B	B	B	C
6	C	B	B	B	B	B	B	B	B	C
7	C	B	B	B	B	B	B	B	B	C
8	C	C	B	B	B	B	B	B	B	C
9	C	B	B	B	B	B	B	B	B	C
10	C	B	B	B	B	B	B	B	B	C
11	C	A	B	B	B	B	B	B	B	C
12	C	C	B	B	B	B	B	B	B	C
13	C	B	B	B	B	B	B	B	B	C
14	C	B	B	B	B	B	B	B	B	C
15	C	A	B	B	B	B	B	B	B	C
16	C	C	B	B	B	B	B	B	B	C
17	C	B	B	B	B	B	B	B	B	C
18	C	B	B	B	B	B	B	B	B	C
19	C	B	B	B	B	B	B	B	B	C
20	C	B	B	B	B	B	B	B	B	C
21	C	B	B	B	B	B	B	B	B	C
22	C	B	B	B	B	B	B	B	B	C
23	C	B	B	B	B	B	B	B	B	C
24	C	B	B	B	B	B	B	B	B	C
25	C	B	B	B	B	B	B	B	B	C



RECOMMENDED PCB-HOLE LAYOUT COMPONENT SIDE SHOWN

PLATED THRU HOLES PARAMETERS

REFERENCE APPLICATION SPECIFICATION



OBSOLETE	2 5 10	1645343-9
	2 3	1645343-1
	FINISH	PART NUMBER

THIS DRAWING IS A CONTROLLED DOCUMENT.

DIMENSIONS: mm	TOLERANCES UNLESS OTHERWISE SPECIFIED:	DIN J. POLIGNONE 05APR06	Tyco Electronics Corporation Harrisburg, Pa 17105-3608	
0-PLC ±	1-PLC ± 0.1	CIK G. SKIPPER 05APR06	NAME	MALE ASSEMBLY, Z-PACK 2mm HM, TYPE E, 250 POSITION
2-PLC ±	3-PLC ±	APVD G. SKIPPER 05APR06	PRODUCT SPEC	108-1622
4-PLC ±	ANGLES ±		APPLICATION SPEC	114-19029
MATERIAL	FINISH SEE TABLE	WEIGHT	SIZE	CAGE CODE
			A1	00779
			SCALE	4:1
			SHEET	1 of 2
			REV	B

CUSTOMER DRAWING

LOC		DIST		REVISIONS			
#	LTR	DESCRIPTION	DATE	DWN	APVD		
AD	00	SEE SHEET 1	-	-	-		

- 1 MATERIAL:
CONTACT: PHOSPHOR BRONZE.
HOUSING: GLASS-FILLED POLYESTER.
- 2 GENERAL PLATING SPECIFICATION: UNDERPLATING
(ENTIRE CONTACT): 1.27µm MIN NICKEL AND ACTION
PIN: 0.5µm MIN TIN/LEAD.
FOR PLATING OF MATING SURFACES SEE APPLICABLE
SPECIFICATION REFERENCE FOR EACH DASH NUMBER.
- 3 CONFORMS TO ALL TESTING ACCORDING TO IEC 61076-4-101
PERFORMANCE LEVEL 2.
- 4 FOR ACTUAL PIN LOADING, SEE "CONTACT LAYOUT"
- 5 CONNECTOR TESTED AND QUALIFIED AGAINST TELCORDIA GR-1217-CORE QUALITY LEVEL 3,
CENTRAL OFFICE APPLICATIONS.
- 6 TO BE MEASURED AT BOTTOM OF SHROUD.
- 7 CONNECTOR MARKED WITH PART NUMBER AND DATE CODE.
ADDITIONAL CHARACTERS OR MARKINGS, AS WELL AS THE LOCATION OF THE MARKINGS,
MAY BE ADDED FOR TRACEABILITY BASED UPON MANUFACTURERS DISCRETION.
- 8 PLATED-THROUGH HOLES AT 2x2mm SQUARE GRID
PATTERN DEFINED BY CONTACT LAYOUT.
- 9 FOR ACTUAL PIN DIMENSIONS SEE "CONTACT DIMENSIONS".
- 10 CONNECTOR LUBRICATED WITH BELCORE APPROVED LUBRICANT,
TECHNICAL REFERENCE: TR-NWT-001217 ISSUE 1, SEP 1992.

THIS DRAWING IS A CONTROLLED DOCUMENT.		DWN J. POLIGNONE	OSAPR06	Tyco Electronics Corporation Harrisburg, Pa 17105-3608	
DIMENSIONS: mm		Dsk G.SKIPPER	OSAPR06	NAME MALE ASSEMBLY, Z-PACK 2mm HM, TYPE E	
TOLERANCES UNLESS OTHERWISE SPECIFIED:		APVD G.SKIPPER	OSAPR06	PRODUCT SPEC 108-1622	
0-PLG ±		APPLICATION SPEC 114-19029		SIZE A1	
1-PLG ±0.1		WEIGHT -		CAGE CODE 00779	
2-PLG ±		FINISH SEE SHEET 1		DRAWING NO 1645343	
3-PLG ±		MATERIAL SEE SHEET 1		RESTRICTED TO -	
4-PLG ±		CUSTOMER DRAWING		SCALE 4:1	
ANGLES ±				SHEET 2 OF 2	
				REV B	

X-ON Electronics

Largest Supplier of Electrical and Electronic Components

Click to view similar products for [Hard Metric Connectors](#) category:

Click to view products by [TE Connectivity](#) manufacturer:

Other Similar products are found below :

[10146110-VR5C](#) [6345127-1](#) [646916-9](#) [6469658-1](#) [853016](#) [973108](#) [1-2000713-0](#) [1-2000713-2](#) [1-2000713-3](#) [120646-1](#) [134187](#) [1645343-1](#)
[1645456-1](#) [1645564-3](#) [1645594-1](#) [1645601-1](#) [1934822-1](#) [2000829-2](#) [2000985-2](#) [223085-1](#) [278071110010833](#) [1645179-1](#) [1645245-1](#)
[1645457-1](#) [1645525-1](#) [1645570-1](#) [1645596-1](#) [17-8072-125-000-863+](#) [1857470-1](#) [1934275-1](#) [1934289-1](#) [1934759-1](#) [2000670-2](#) [2000673-1](#)
[2000843-2](#) [2000984-2](#) [204975](#) [2170292-2](#) [2-536642-6](#) [3-100668-0](#) [3-106015-1](#) [352188-1](#) [352629-1](#) [3-646346-0](#) [3-646356-0](#) [3-646457-0](#) [3-646529-0](#) [3-646530-0](#) [5120823-1](#) [5120899-1](#)