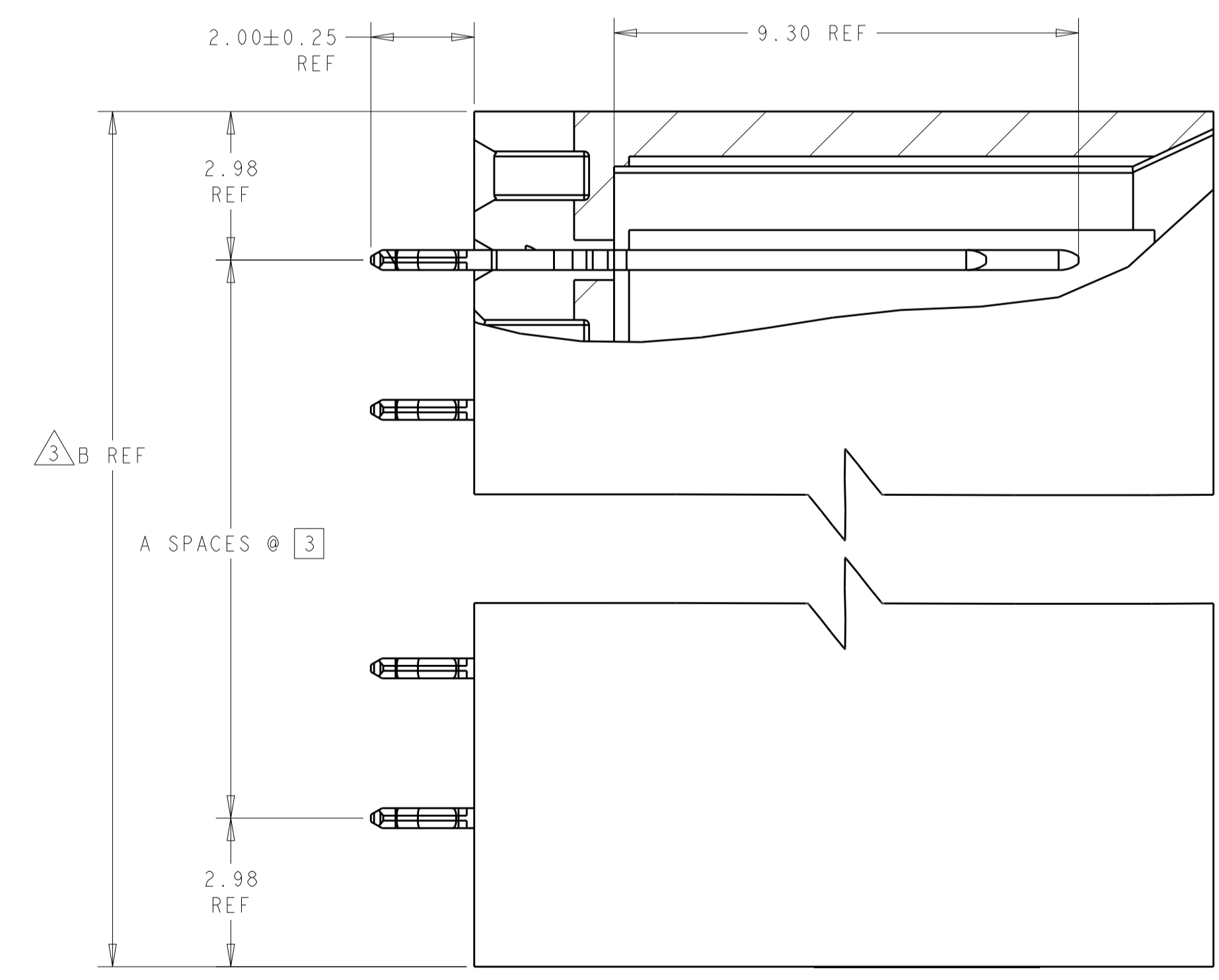
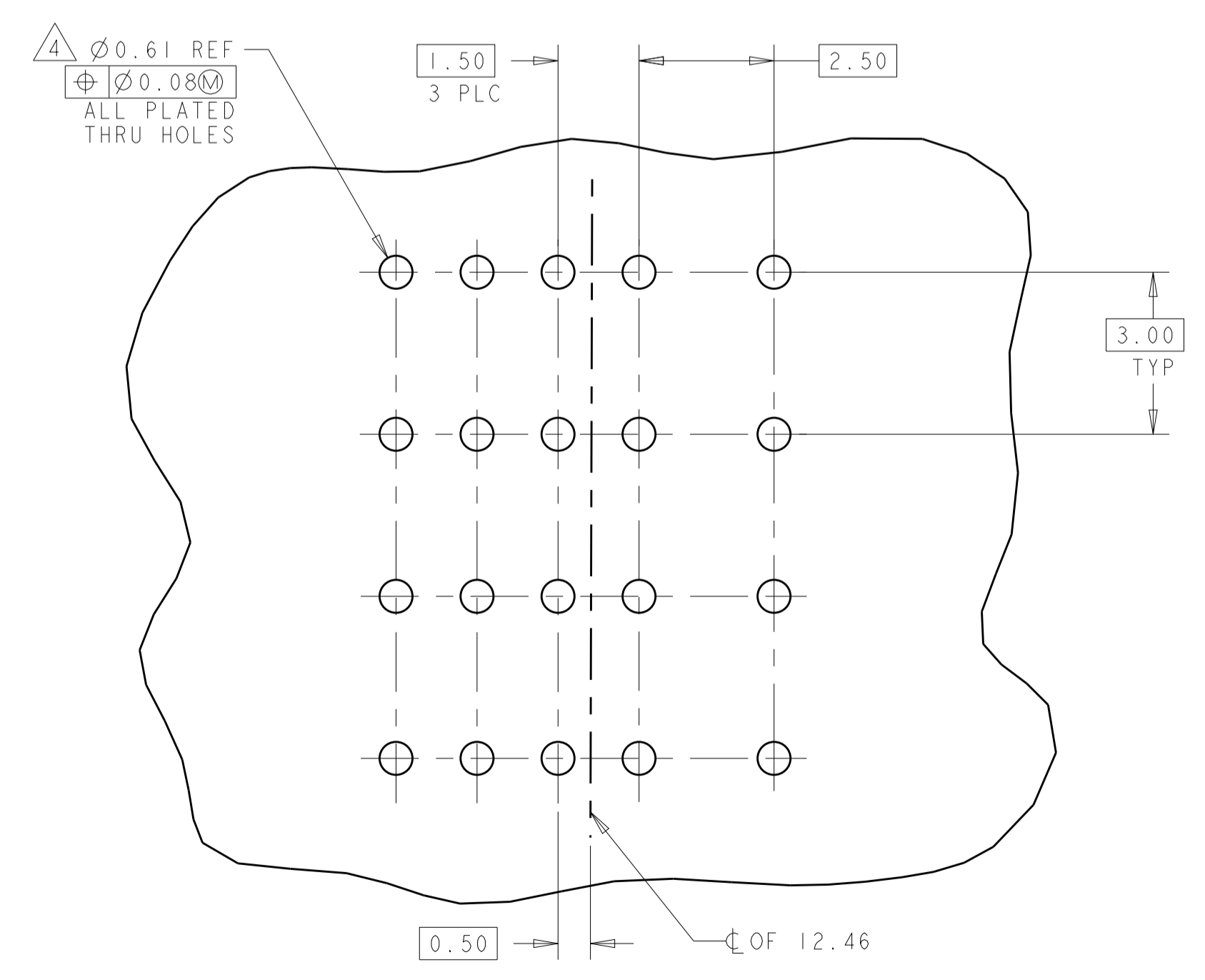
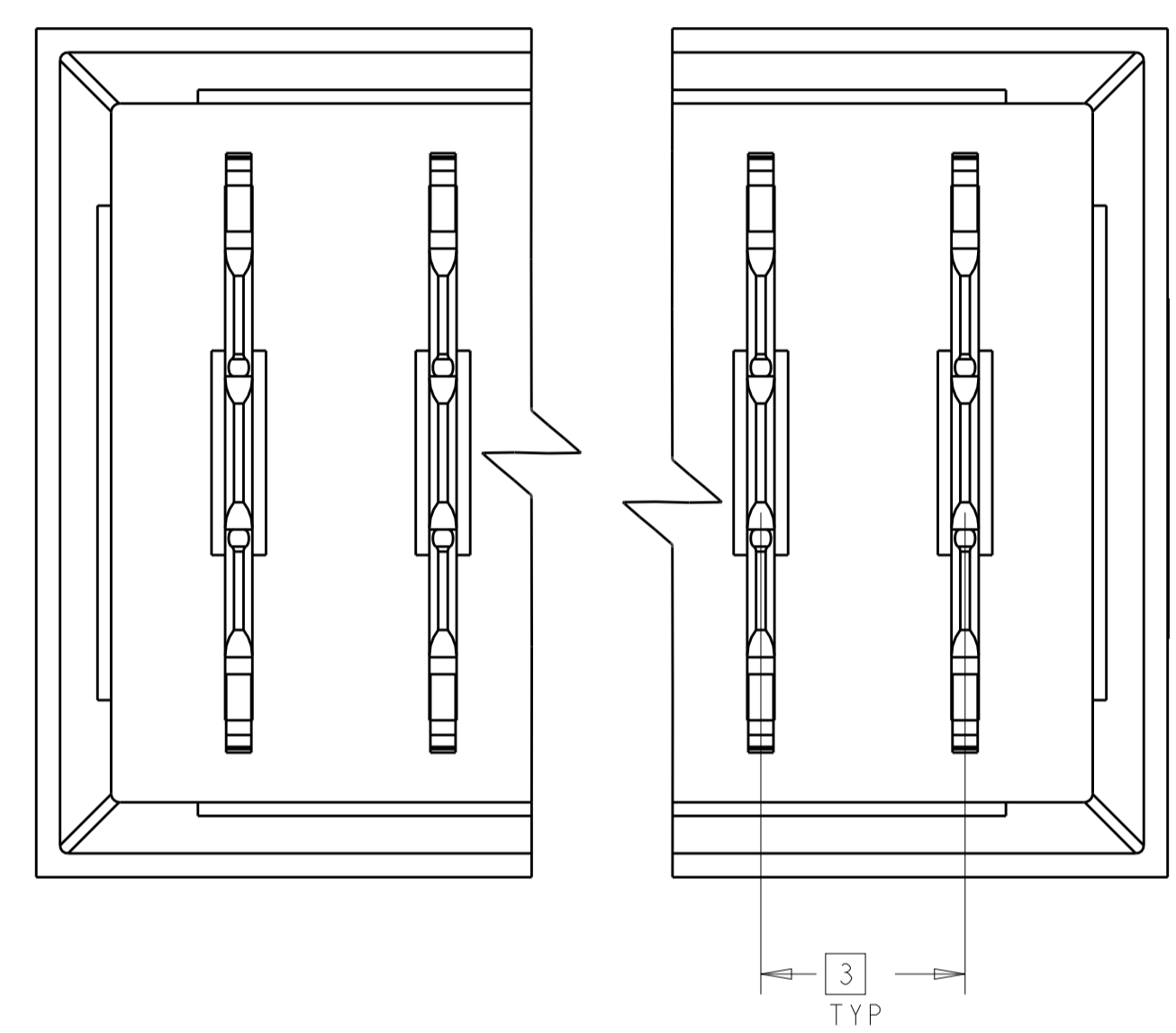
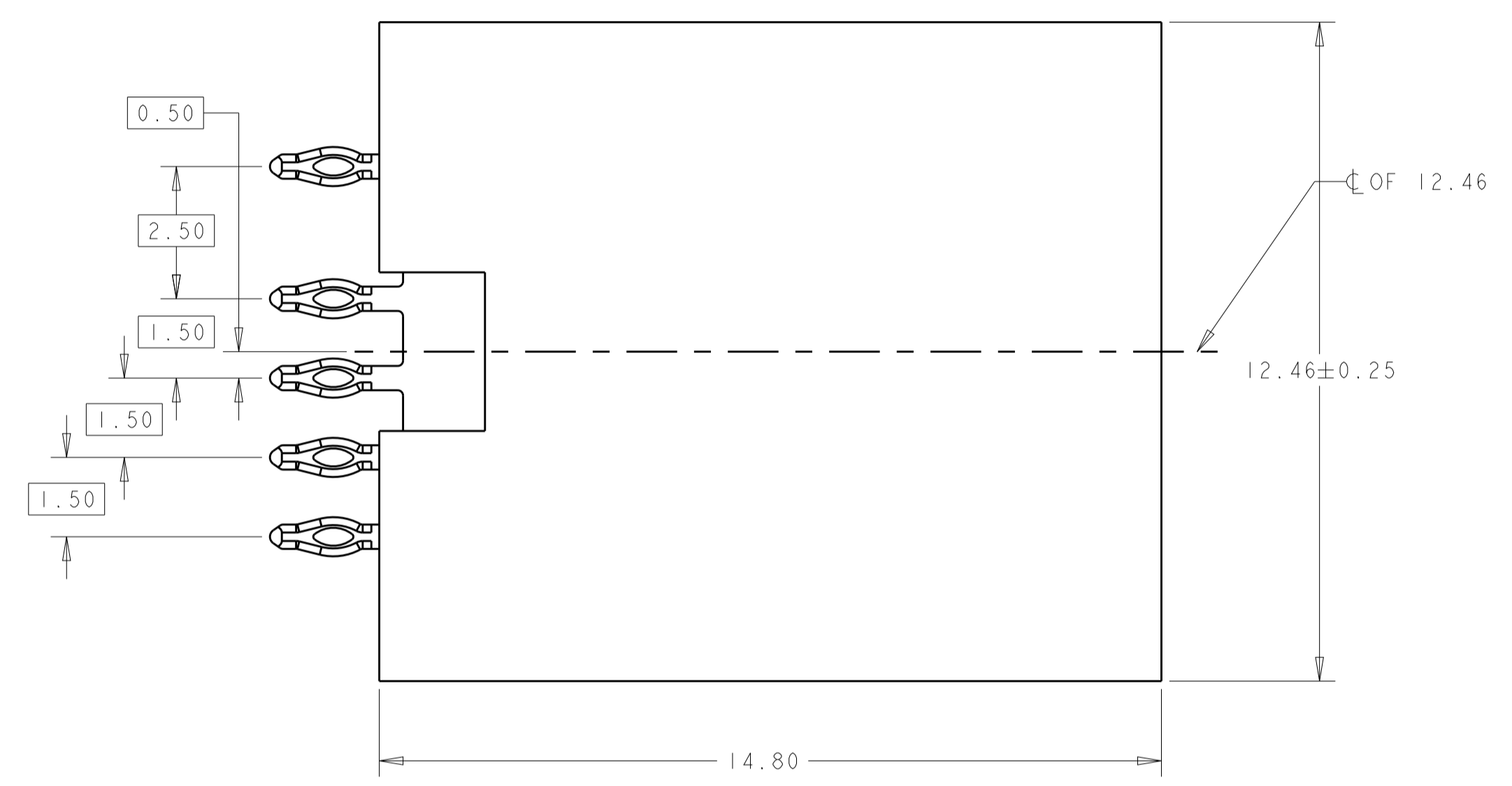


LOC		DIST		REVISIONS			
AD	00	P	LTH	DESCRIPTION	DATE	DWN	APVD
		A		RELEASED PER ECO-10-012478	24JUNE2010	DH	DY
		B1		REV PER ECO-20-004668	21APR2020	ML	SZ

- 1 MATERIAL  
HOUSING: POLYESTER, COLOR, GRAY, UL 94V-0.  
CONTACT: PHOSPHOR BRONZE, HIGH CURRENT COPPER ALLOY.
- 2 FINISH  
IN ACCORDANCE WITH PRODUCT SPECIFICATION 108-1651,  
GOLD PLATING OR EQUIVALENT PLATING ON PRODUCT CONTACT MATING AREA,  
AND MATTE TIN PLATING ON COMPLIANT PIN AREA, ALL OVER MATTE NICKEL  
UNDERPLATED. DETAIL PLEASE REFER TO PRODUCT SPECIFICATION 108-1651.
- 3 TOLERANCE TO BE  $\pm 0.25$  BEFORE CONNECTOR IS APPLIED TO PC BOARD.
- 4 REFERENCE APPLICATION SPEC 114-1103 FOR  
RECOMMENDED PLATED THRU HOLE DIAMETER AND  
PLATING THICKNESS.
5. CURRENT RATING 16A/CONTACT PER PRODUCT SPEC 108-1651.



POSITION	B REF	A	PART NUMBER
9	29.95	8	1645498-7
8	26.95	7	1645498-6
7	23.95	6	1645498-5
6	20.95	5	1645498-4
5	17.95	4	1645498-3
4	14.95	3	1645498-2
3	11.95	2	1645498-1

DIMENSIONS: mm 		TOLERANCES UNLESS OTHERWISE SPECIFIED: 0 PLC ± 1 PLC ±0.13 2 PLC ± 3 PLC ± 4 PLC ± ANGLES ±		DWN B. CARBO 18NOV2008 CHK G. GRIFFITH 18NOV2008 APVD G. GRIFFITH 18NOV2008		Tyco Electronics Harrisburg, PA 17105-3608	
MATERIAL 		FINISH 		PRODUCT SPEC 108-1651		NAME UPM VERTICAL HEADER CONNECTOR UNIVERSAL POWER MODULE 15MM STACK HEIGHT	
RESTRICTED CUSTOMER		APPLICATION SPEC 114-1103		SIZE CAGE CODE DRAWING NO A 100779 C=1645498		RESTRICTED TO	
SCALE 10:1		SHEET 1 OF 1		REV B1		Tyco Electronics Harrisburg, PA 17105-3608	

## X-ON Electronics

Largest Supplier of Electrical and Electronic Components

*Click to view similar products for [Power to the Board](#) category:*

*Click to view products by [TE Connectivity](#) manufacturer:*

Other Similar products are found below :

[6450171-4](#) [6450552-7](#) [6600323-8](#) [6643429-1](#) [6646040-2](#) [6651939-1](#) [6766604-1](#) [120959-1](#) [1393557-2](#) [1393532-2](#) [1393532-3](#) [1393532-4](#)  
[1393557-1](#) [1600812-5](#) [1-6450861-2](#) [1744132-7](#) [1761122-1](#) [1766250-1](#) [1892109-1](#) [2-6450860-5](#) [2-6450870-0](#) [1-6450161-4](#) [1-6450850-6](#) [1-](#)  
[6450869-6](#) [1645526-2](#) [1-6600130-0](#) [2005243-2](#) [377-0020-11130](#) [TE34-12-16P-F0](#) [51700-10201602AALF](#) [5-6450830-6](#) [5646956-4](#) [377-](#)  
[0080-11131A](#) [4-6450830-9](#) [4-6600333-3](#) [10125416-4050LF](#) [10130248-005LF](#) [6600320-3](#) [3-6450860-5](#) [1888123-2](#) [6450166-1](#) [6643978-1](#)  
[6766605-1](#) [701-15-02109](#) [N11444](#) [6651938-1](#) [6450810-7](#) [46437-1112](#) [1-1589677-8](#) [5646956-5](#)