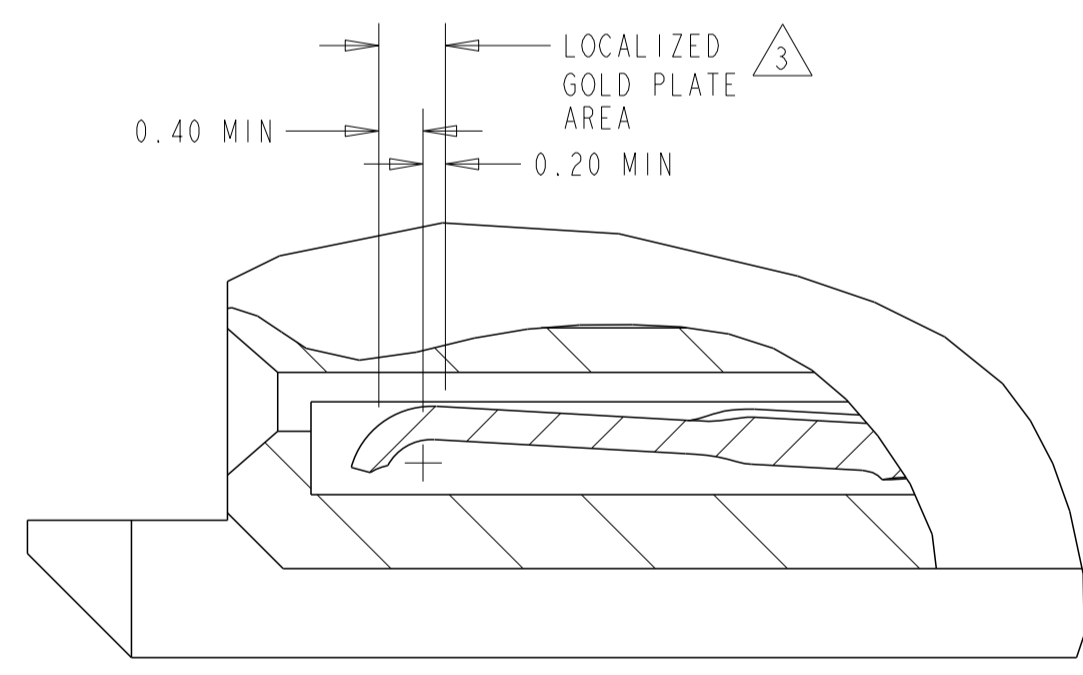
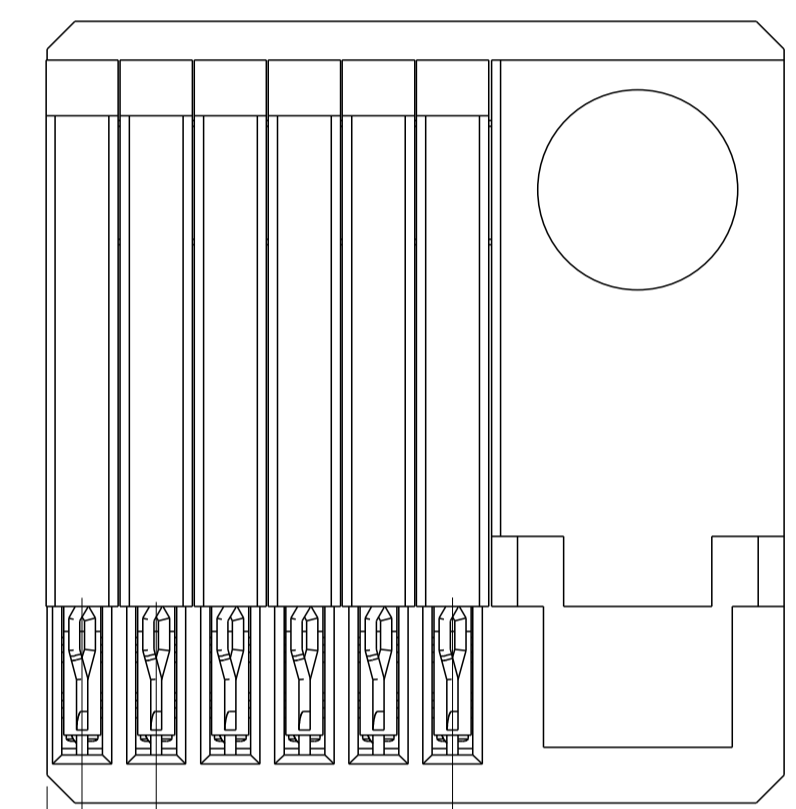
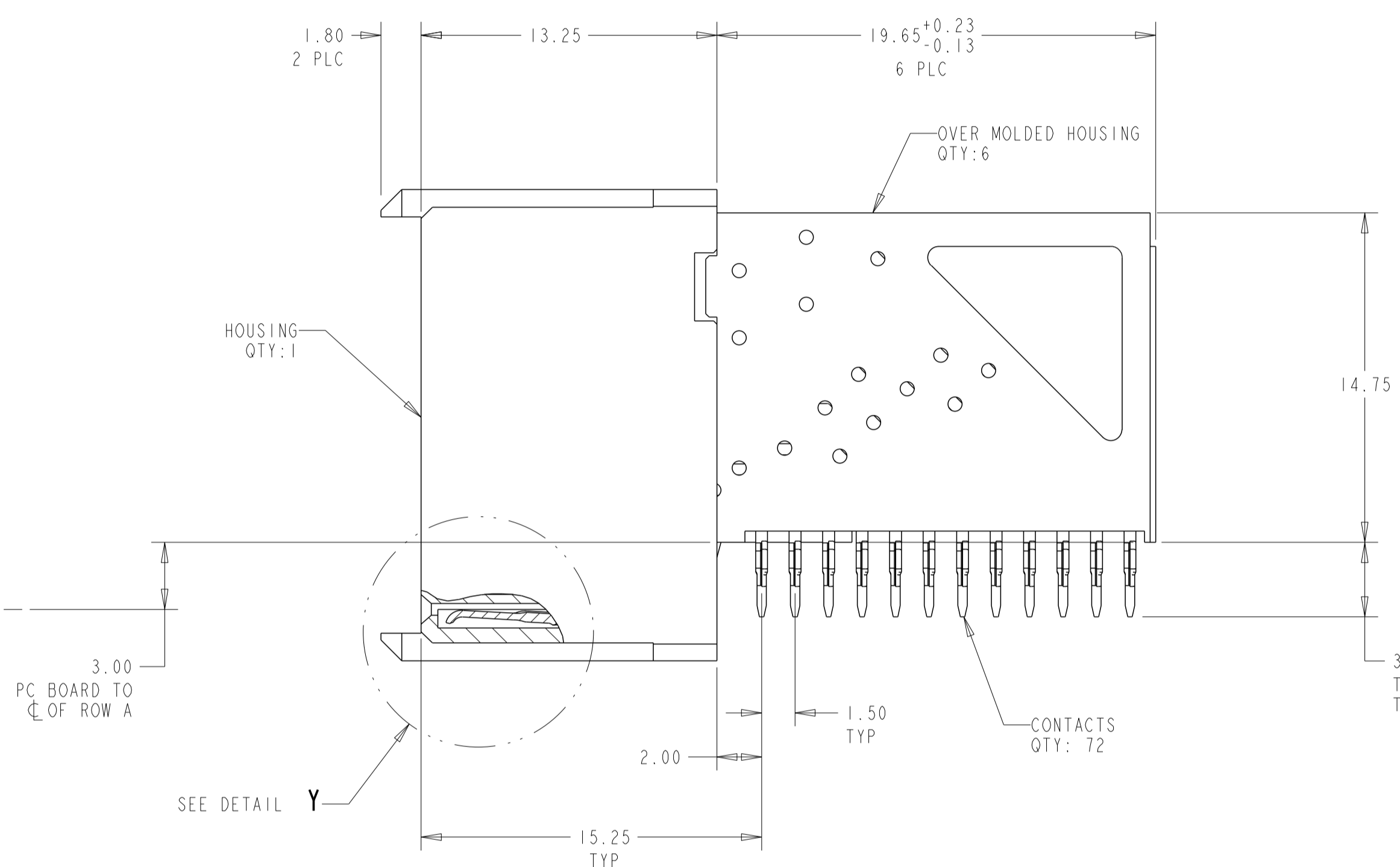
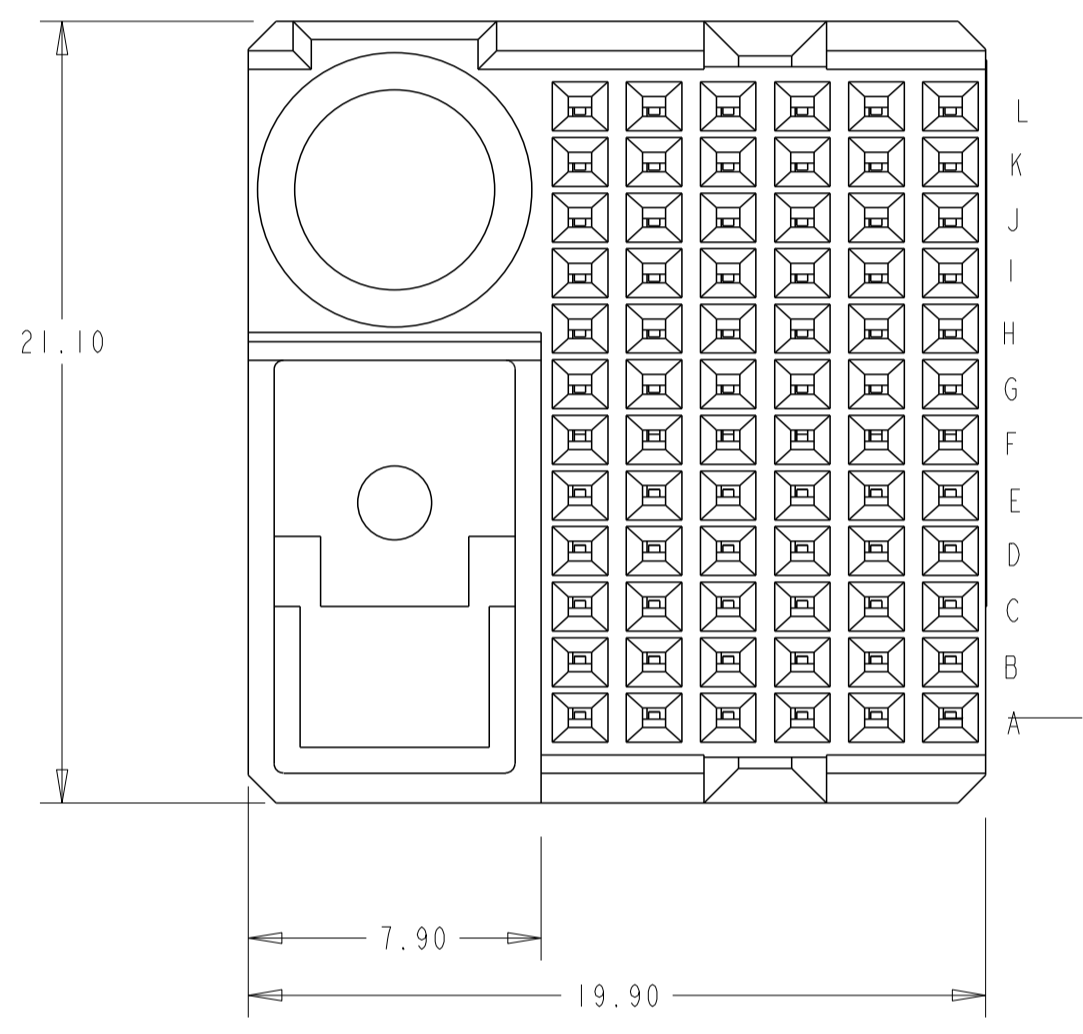
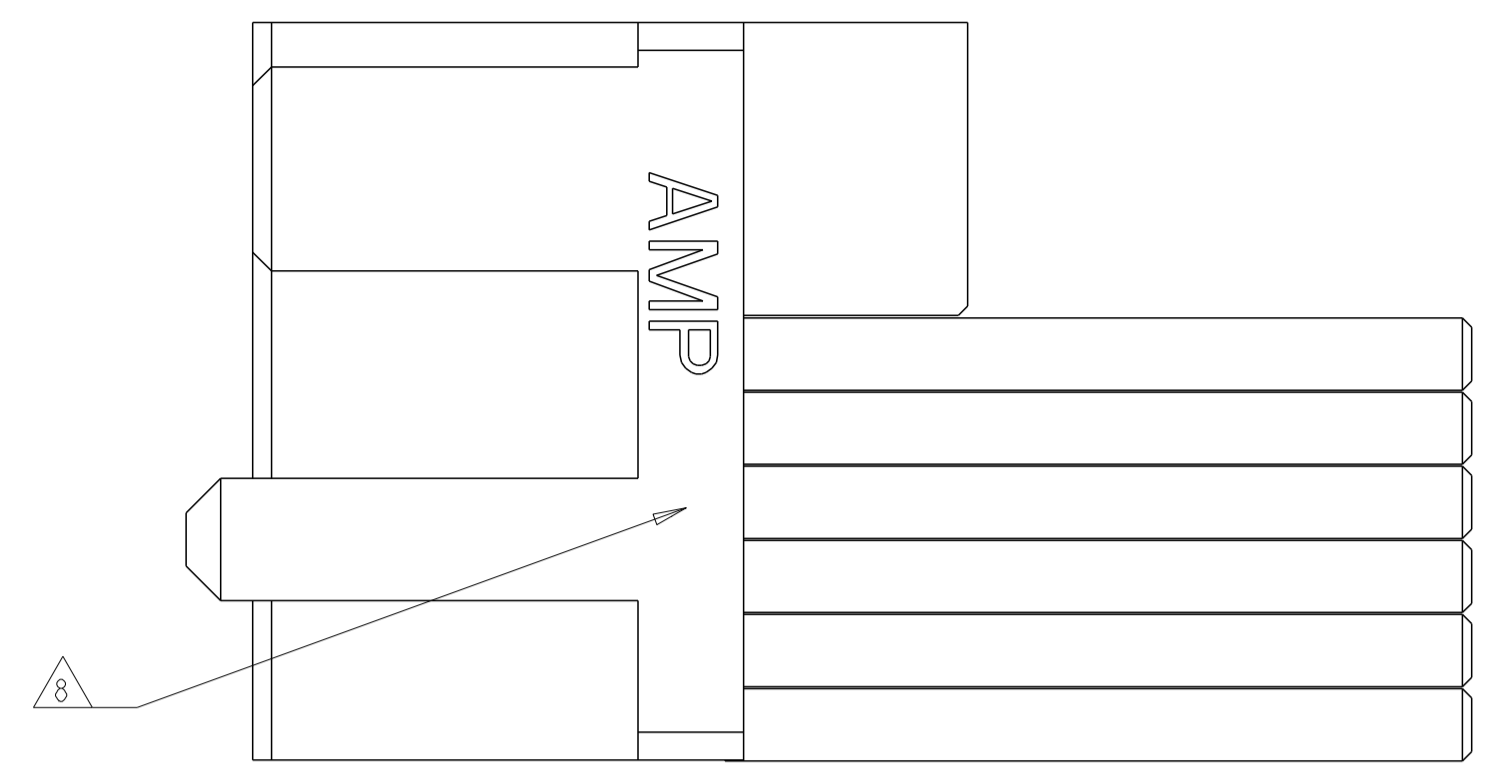
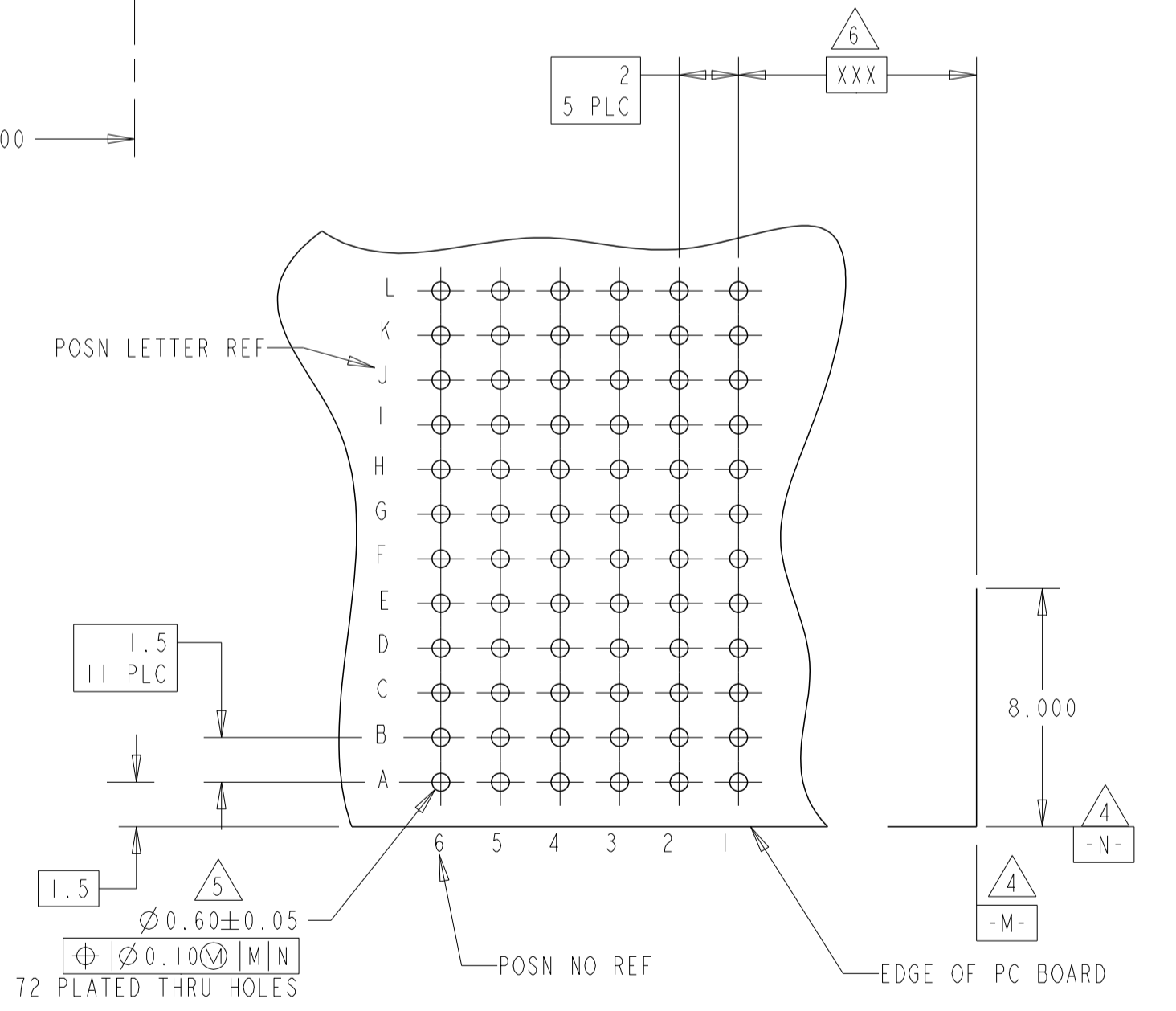
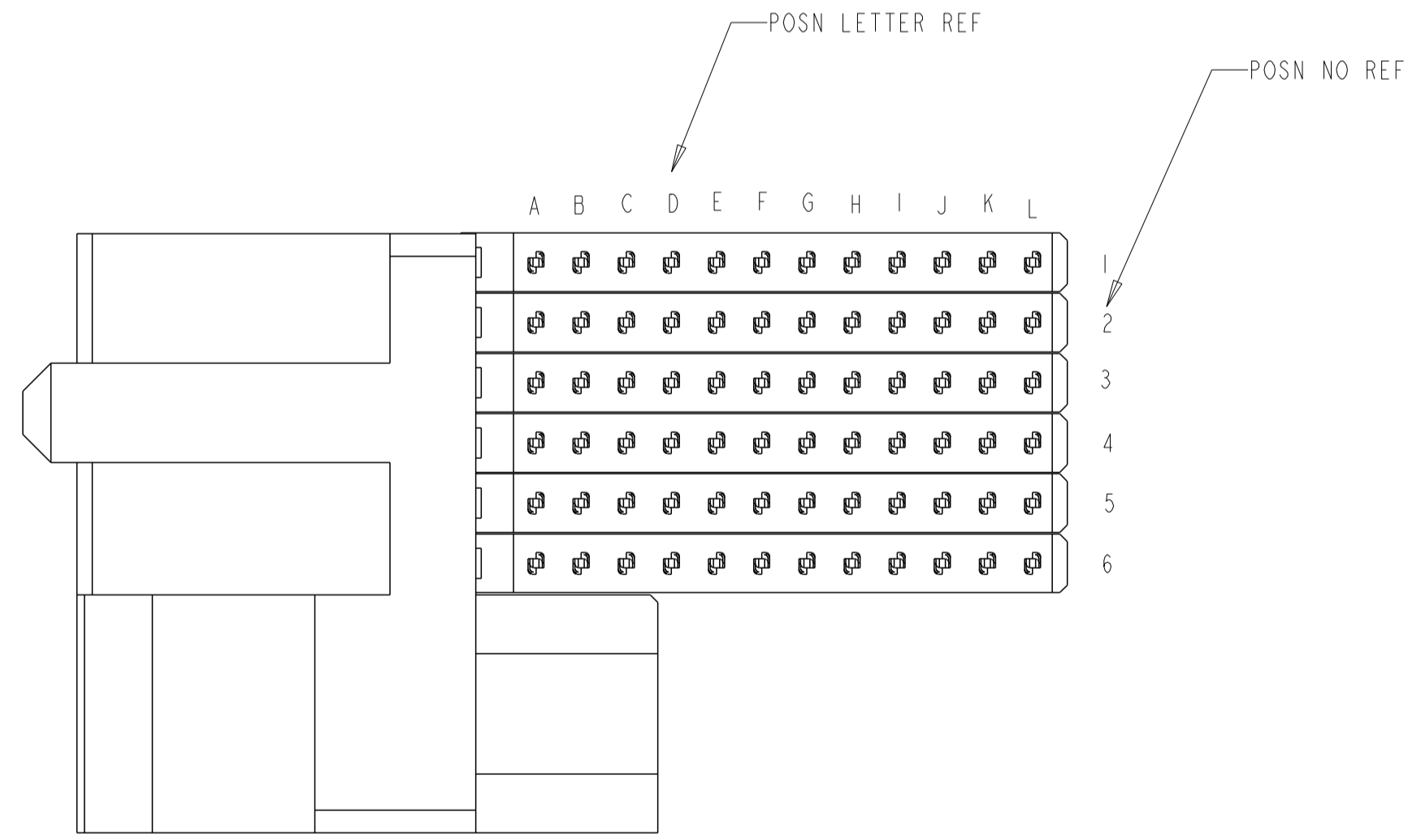


LOC	DIST	REVISIONS			
P	LTR	DESCRIPTION	DATE	DNM	APVD
A		INITIAL RELEASE	10MAY11	RC	CW



DETAIL Y  
SCALE 15:1  
TYPICAL



RECOMMENDED  
PRINTED CIRCUIT BOARD  
LAYOUT  
RECOMMENDED PRINTED CIRCUIT BOARD  
COMPONENT SIDE OF PRINTED CIRCUIT BOARD

1645569-1  
PART NUMBER

- 1 GLASS FILLED POLYESTER, BLACK
- 2 PHOSPHOR BRONZE
- 3 CONFORMS TO ALL TESTING ACCORDING TO IEC 61076-4-101 PERFORMANCE LEVEL 2.
- 4 DATUMS ESTABLISHED BY CUSTOMER.
- 5 DRILLED HOLE DIAMETER 0.700±0.025  
COPPER THK 0.025-0.05  
TIN THICKNESS 0.004-0.01
- 6 DIMENSION ESTABLISHED BY CUSTOMER.
- 7 GENERAL PLATING SPECIFICATION: UNDERPLATING (ENTIRE CONTACT): 1.27µm MIN NICKEL AND ACTION PIN: 0.5µm MIN TIN. FOR PLATING OF MATING SURFACES SEE APPLICABLE SPECIFICATION REFERENCE FOR EACH DASH NUMBER.
- 8 CONNECTOR PRINTED WITH PART NUMBER AND DATE CODE, LOCATED APPROXIMATELY AS SHOWN.

THIS DRAWING IS A CONTROLLED DOCUMENT.		DNM RAYMOND CAO 10MAY11	TE Connectivity																
DIMENSIONS: mm		CHK ALEX SHOAL 10MAY11	RECEPTACLE ASSEMBLY, SIGNAL/GROUND COMBINATION, 72 POSITION, LEFT HAND, Z-PACK 12 HM																
TOLERANCES UNLESS OTHERWISE SPECIFIED:		APVD MANGIAN WANG 10MAY11																	
<table border="1"> <tr><td>0 PLC</td><td>±</td><td></td></tr> <tr><td>1 PLC</td><td>±0.2</td><td></td></tr> <tr><td>2 PLC</td><td>±0.2</td><td></td></tr> <tr><td>3 PLC</td><td>±</td><td></td></tr> <tr><td>4 PLC</td><td>±</td><td></td></tr> </table>		0 PLC	±		1 PLC	±0.2		2 PLC	±0.2		3 PLC	±		4 PLC	±		NAME PRODUCT SPEC APPLICATION SPEC	SIZE CAGE CODE DRAWING NO	RESTRICTED TO
0 PLC	±																		
1 PLC	±0.2																		
2 PLC	±0.2																		
3 PLC	±																		
4 PLC	±																		
MATERIAL HOUSING: 1 CONTACTS: 2		WEIGHT	A1 00779 ©=1645569	-															
FINISH CONTACTS: 3 7		CUSTOMER DRAWING	SCALE 5:1	SHEET 1 OF 1 REV A															

## X-ON Electronics

Largest Supplier of Electrical and Electronic Components

*Click to view similar products for [Hard Metric Connectors](#) category:*

*Click to view products by [TE Connectivity](#) manufacturer:*

Other Similar products are found below :

[10146110-VR5C](#) [6345127-1](#) [646916-9](#) [6469658-1](#) [853016](#) [973108](#) [1-2000713-0](#) [1-2000713-2](#) [1-2000713-3](#) [120646-1](#) [134187](#) [1645343-1](#)  
[1645456-1](#) [1645564-3](#) [1645594-1](#) [1645601-1](#) [1934822-1](#) [2000829-2](#) [2000985-2](#) [223085-1](#) [278071110010833](#) [1645179-1](#) [1645245-1](#)  
[1645457-1](#) [1645525-1](#) [1645570-1](#) [1645596-1](#) [17-8072-125-000-863+](#) [1857470-1](#) [1934275-1](#) [1934289-1](#) [1934759-1](#) [2000673-1](#) [2000843-2](#)  
[2000984-2](#) [204975](#) [2170292-2](#) [2-536642-6](#) [3-100668-0](#) [3-106015-1](#) [352188-1](#) [352629-1](#) [3-646346-0](#) [3-646356-0](#) [3-646457-0](#) [3-646529-0](#) [3-646530-0](#) [5120823-1](#) [5120899-1](#) [5120948-1](#)