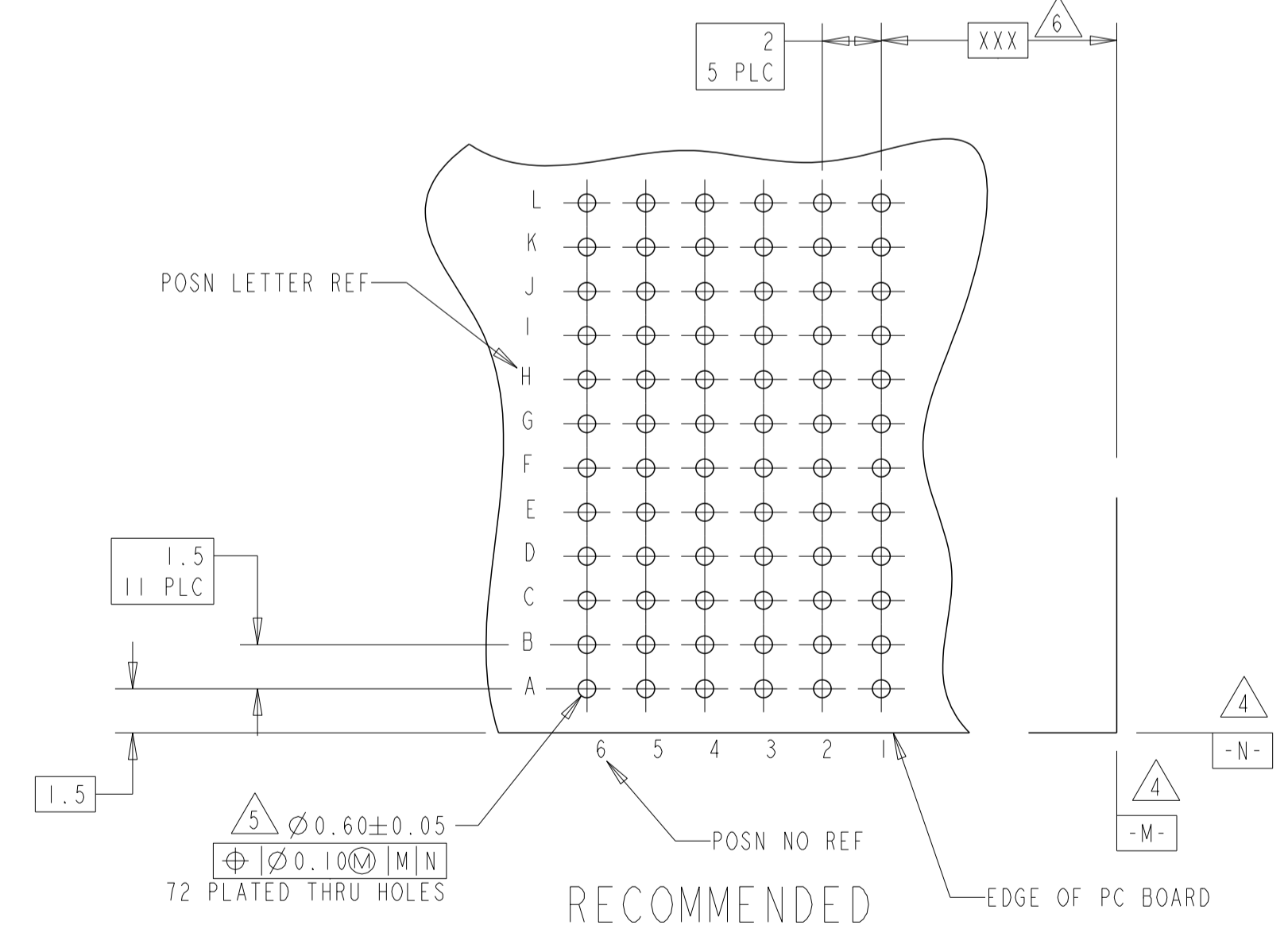
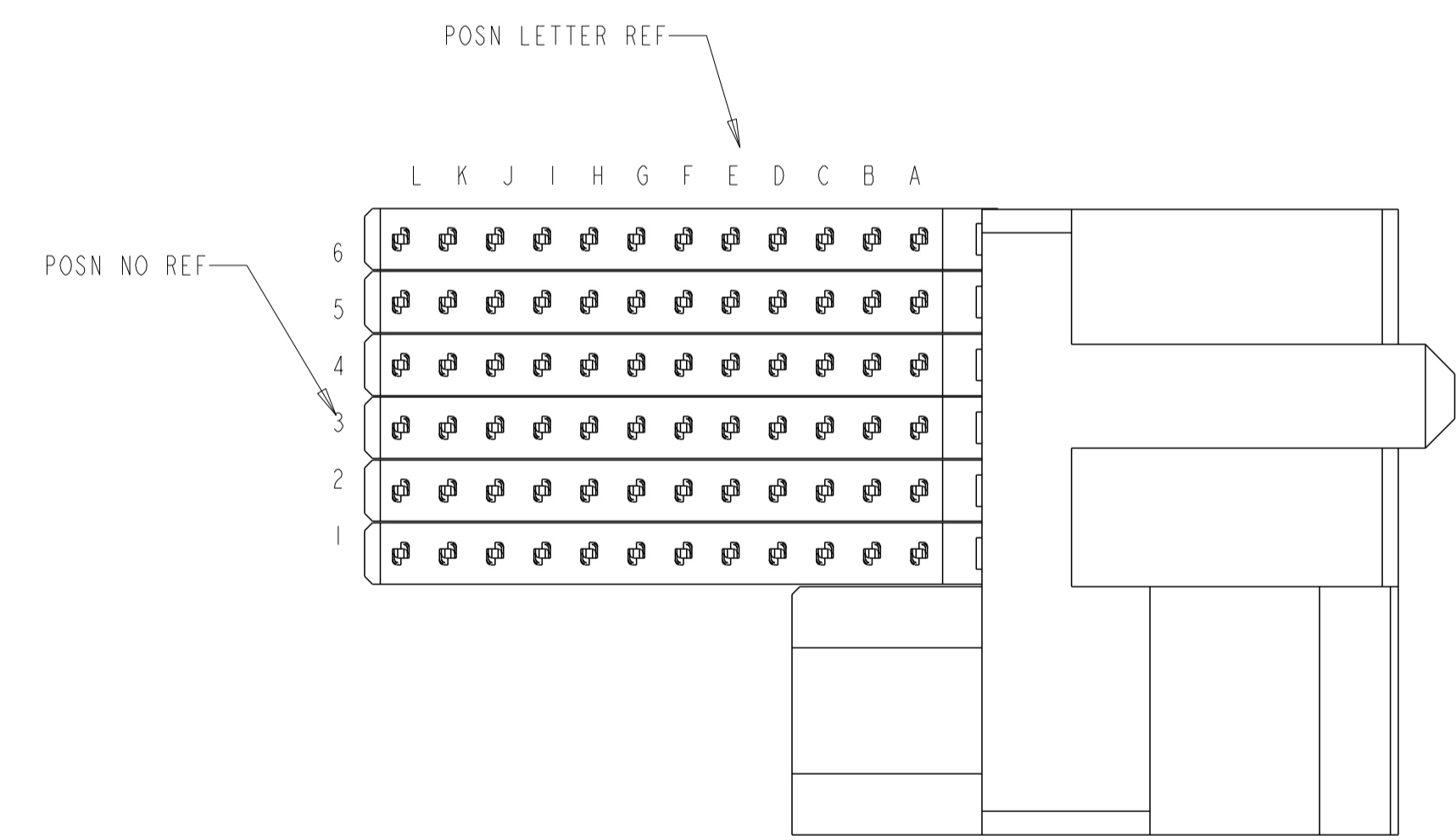
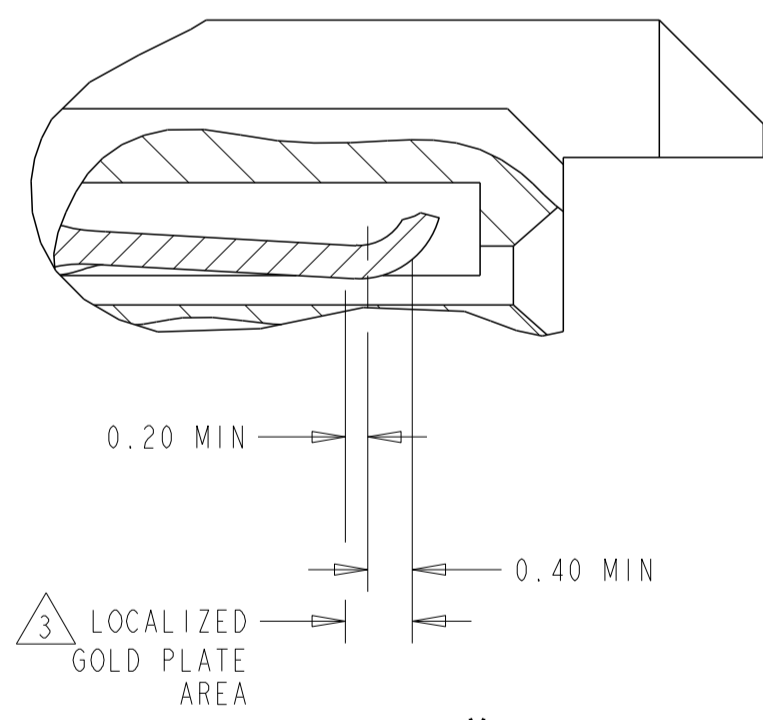
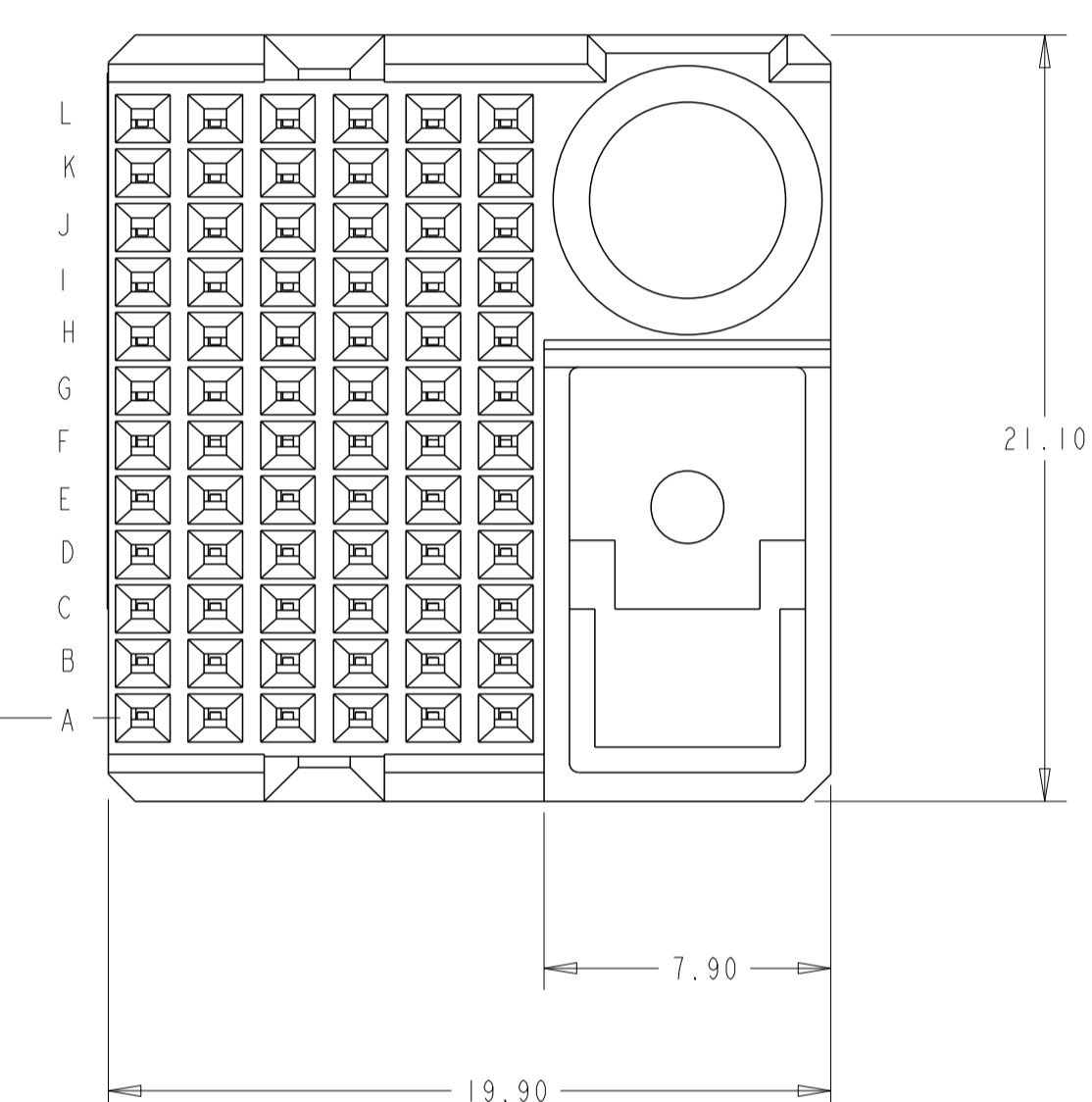
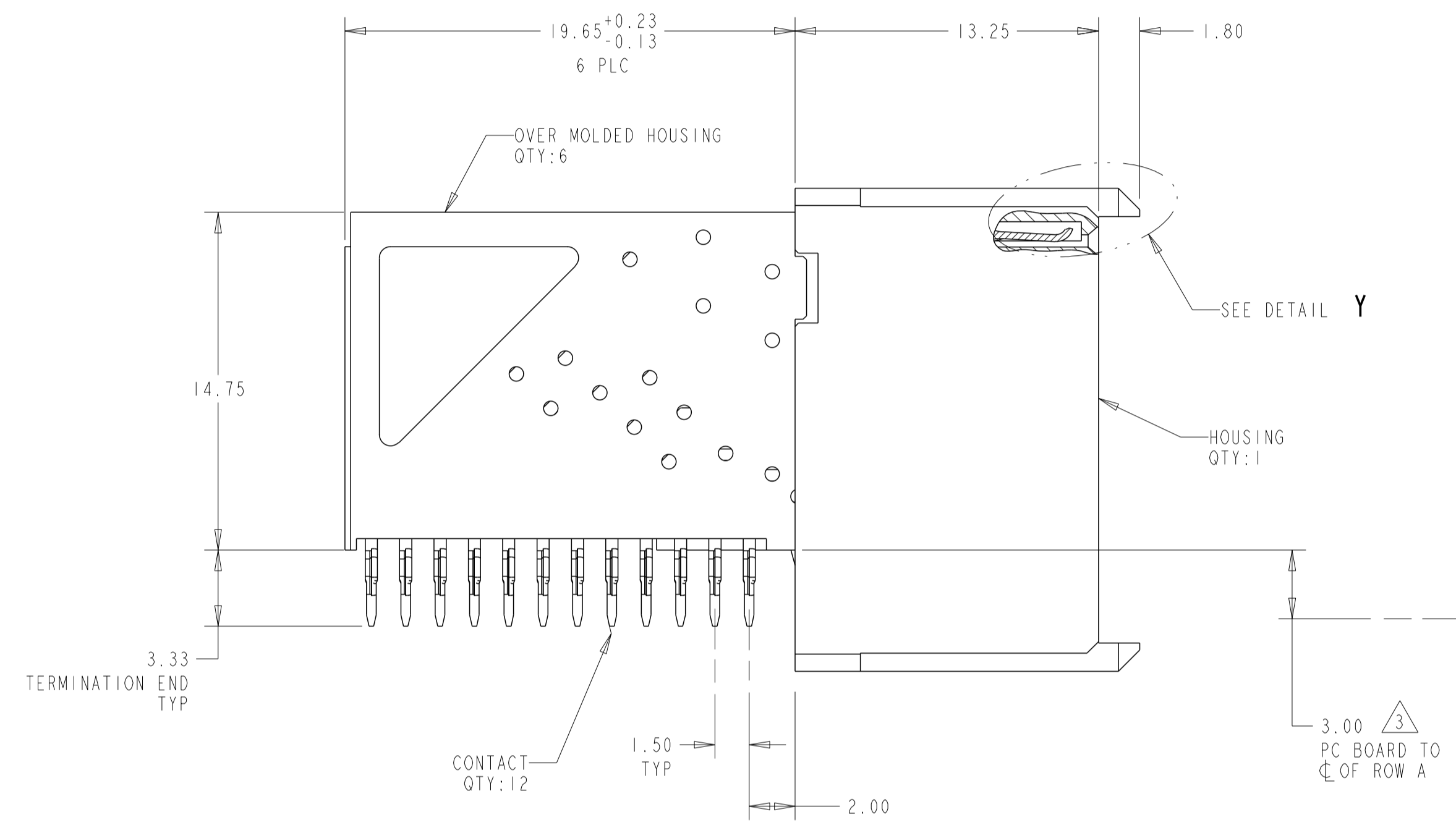
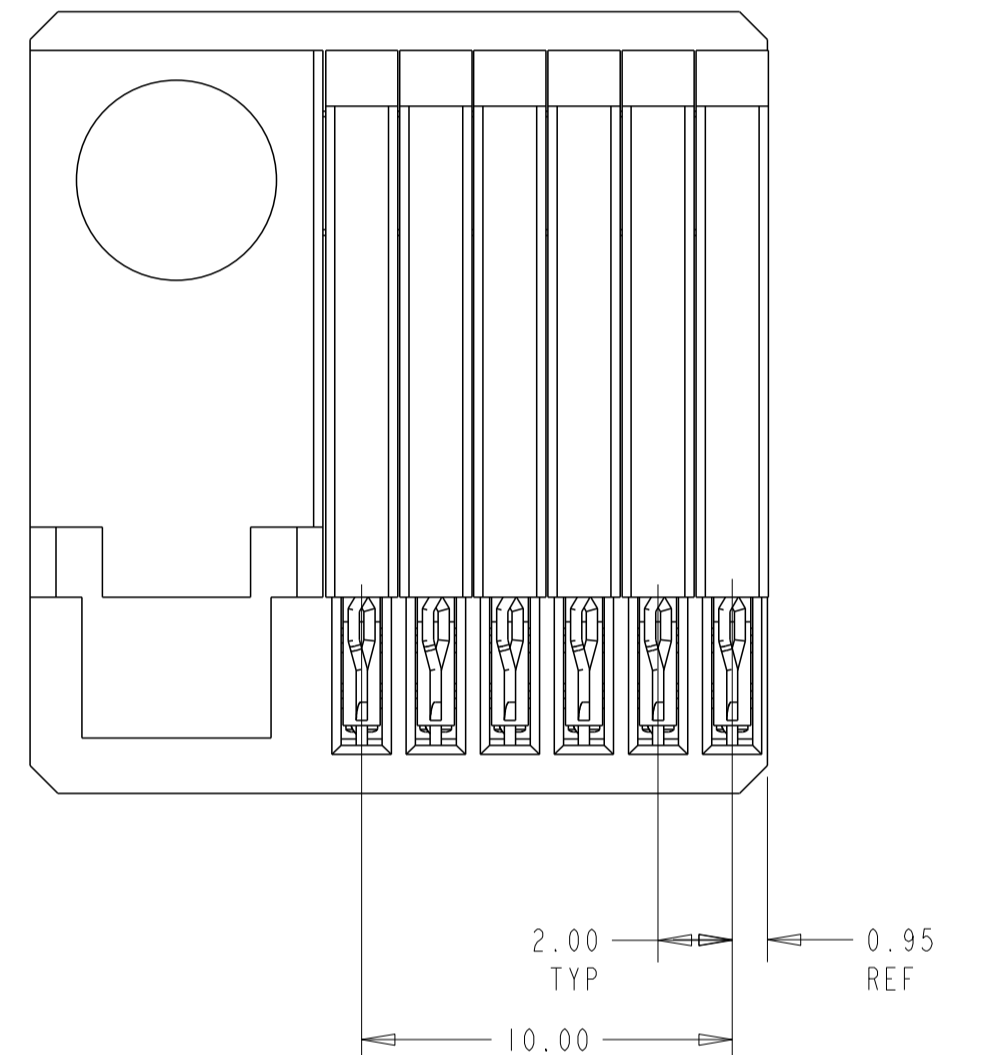
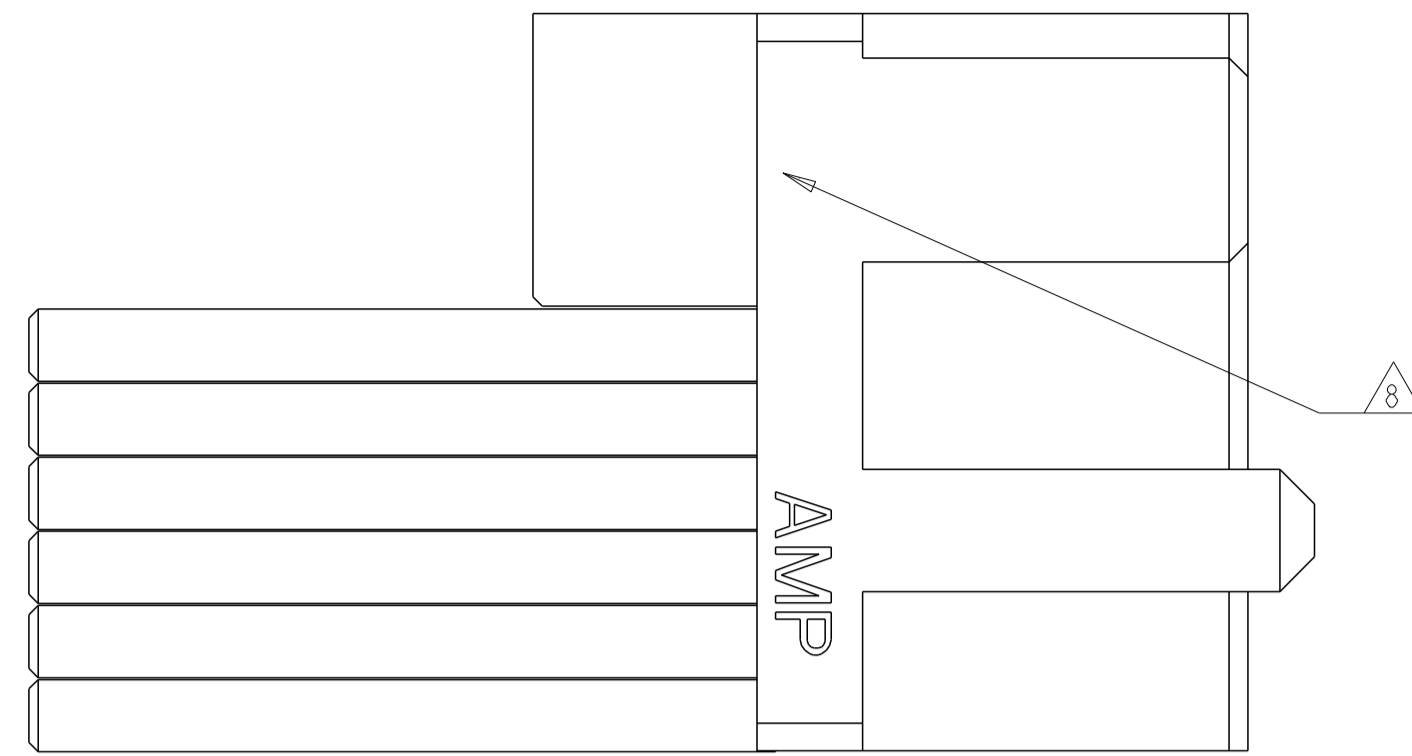


LOC	DIST	REVISIONS			
P	LTR	DESCRIPTION	DATE	DRN	APVD
A		INITIAL RELEASE	10MAY11	RC	CW



RECOMMENDED
PRINTED CIRCUIT BOARD
LAYOUT
RECOMMENDED PRINTED CIRCUIT BOARD
COMPONENT SIDE OF PRINTED CIRCUIT BOARD

- 1 GLASS FILLED POLYESTER, BLACK
- 2 PHOSPHOR BRONZE
- 3 CONFORMS TO ALL TESTING ACCORDING TO IEC 61076-4-101 PERFORMANCE LEVEL 2.
- 4 DATUMS ESTABLISHED BY CUSTOMER.
- 5 DRILLED HOLE DIAMETER 0.700±0.025
COPPER THK 0.025-0.05
TIN THICKNESS 0.004-0.01
- 6 DIMENSION ESTABLISHED BY CUSTOMER.
- 7 GENERAL PLATING SPECIFICATION: UNDERPLATING
(ENTIRE CONTACT): 1.27µm MIN NICKEL AND ACTION
PIN: 0.5µm MIN TIN.
FOR PLATING OF MATING SURFACES SEE APPLICABLE
SPECIFICATION REFERENCE FOR EACH DASH NUMBER
- 8 CONNECTOR PRINTED WITH PART NUMBER AND DATE CODE,
LOCATED APPROXIMATELY AS SHOWN.

DETAIL Y
SCALE 15:1
TYPICAL

1645570-1
PART NUMBER

THIS DRAWING IS A CONTROLLED DOCUMENT.		DRN RAYMOND CAO	TOMAY11	STE TE Connectivity	
DIMENSIONS: mm		CHK ALEX SHOAL	TOMAY11	RECEPTACLE ASSEMBLY, SIGNAL/GROUND COMBINATION, 72 POSITION, RIGHT HAND, Z-PACK 12 HM	
TOLERANCES UNLESS OTHERWISE SPECIFIED:		APVD MANGIAN WANG	TOMAY11	NAME	
0 PLC ±	±0.2	PRODUCT SPEC		APPLICATION SPEC	
1 PLC ±	±0.2	APPLICATION SPEC		SIZE	
2 PLC ±	±	WEIGHT		CAGE CODE	
3 PLC ±	±	CUSTOMER DRAWING		DRAWING NO	
4 PLC ±	±	SCALE 5:1		SHEET 1 OF 1	
MATERIAL HOUSING: 1 CONTACTS: 2		WEIGHT		REV A	
CONTACTS: 3, 1		SCALE 5:1		REV A	

X-ON Electronics

Largest Supplier of Electrical and Electronic Components

Click to view similar products for [Hard Metric Connectors](#) category:

Click to view products by [TE Connectivity](#) manufacturer:

Other Similar products are found below :

[10146110-VR5C](#) [6345127-1](#) [646916-9](#) [6469658-1](#) [853016](#) [973108](#) [1-2000713-0](#) [1-2000713-2](#) [1-2000713-3](#) [120646-1](#) [134187](#) [1645343-1](#)
[1645456-1](#) [1645564-3](#) [1645594-1](#) [1645601-1](#) [1934822-1](#) [2000829-2](#) [2000985-2](#) [223085-1](#) [278071110010833](#) [1645179-1](#) [1645245-1](#)
[1645457-1](#) [1645525-1](#) [1645570-1](#) [1645596-1](#) [17-8072-125-000-863+](#) [1857470-1](#) [1934275-1](#) [1934289-1](#) [1934759-1](#) [2000670-2](#) [2000673-1](#)
[2000843-2](#) [2000984-2](#) [204975](#) [2170292-2](#) [2-536642-6](#) [3-100668-0](#) [3-106015-1](#) [352188-1](#) [352629-1](#) [3-646346-0](#) [3-646356-0](#) [3-646457-0](#) [3-646529-0](#) [3-646530-0](#) [5120823-1](#) [5120899-1](#)