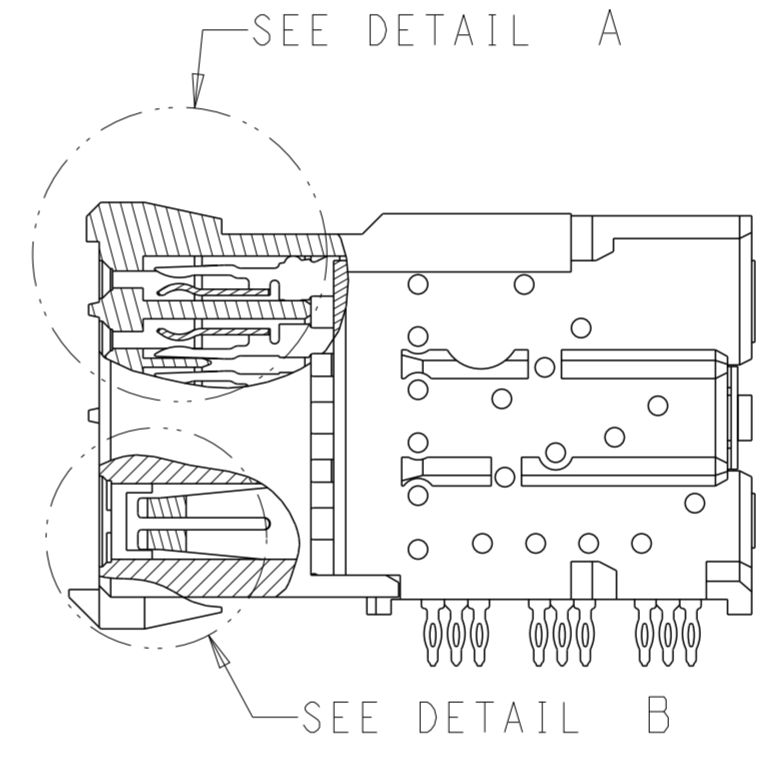
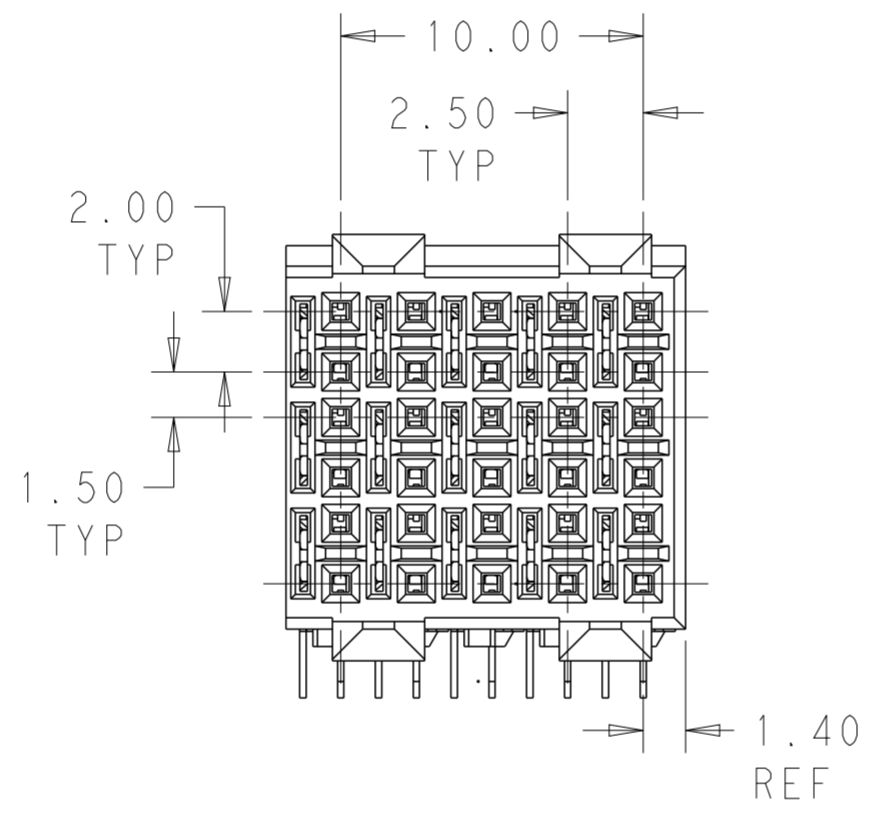
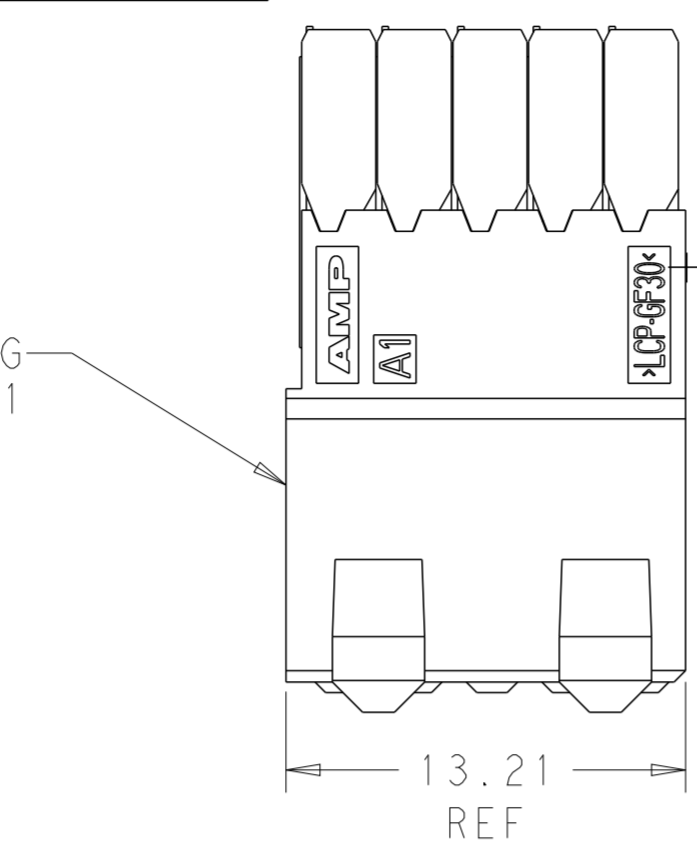
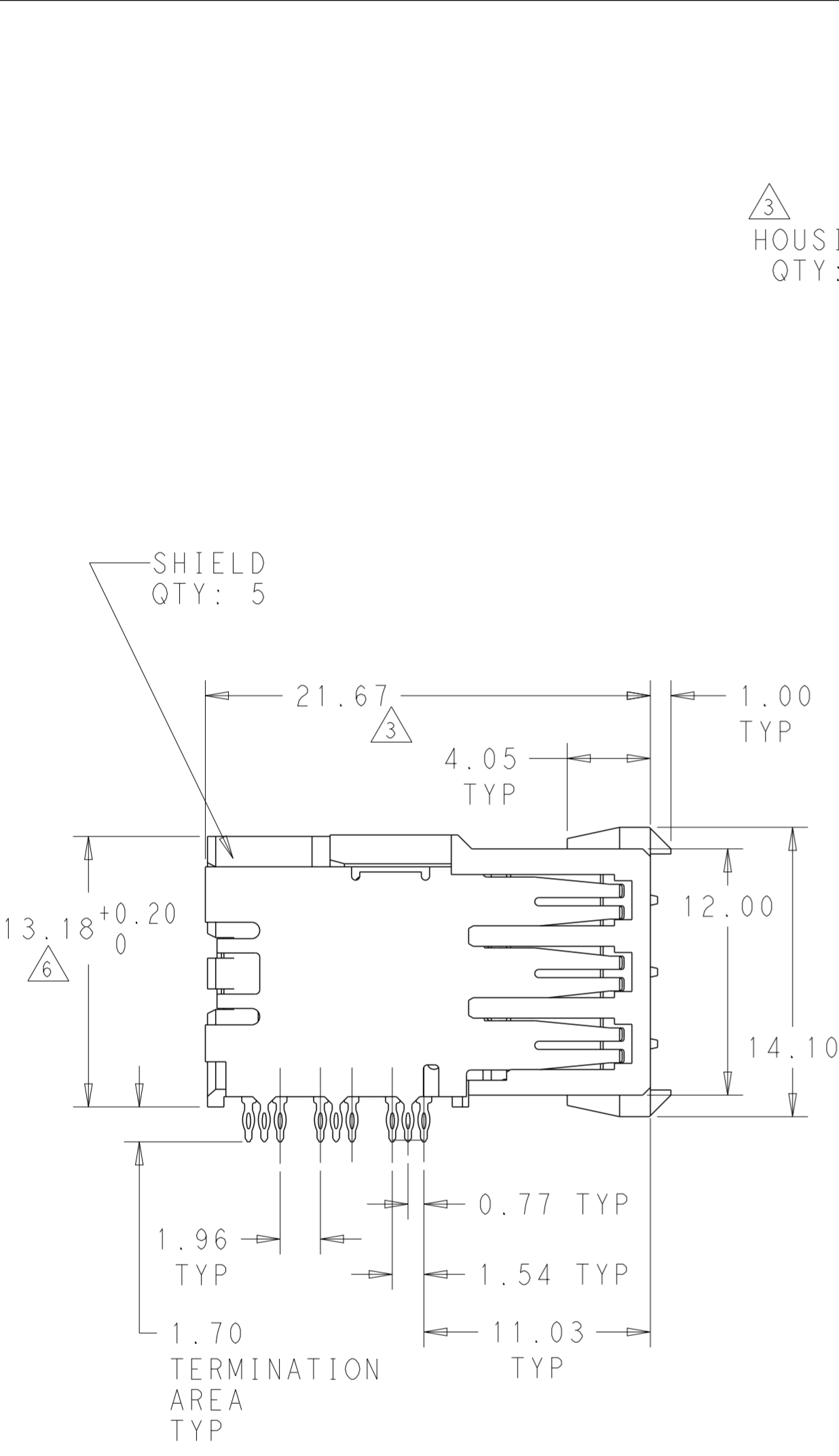
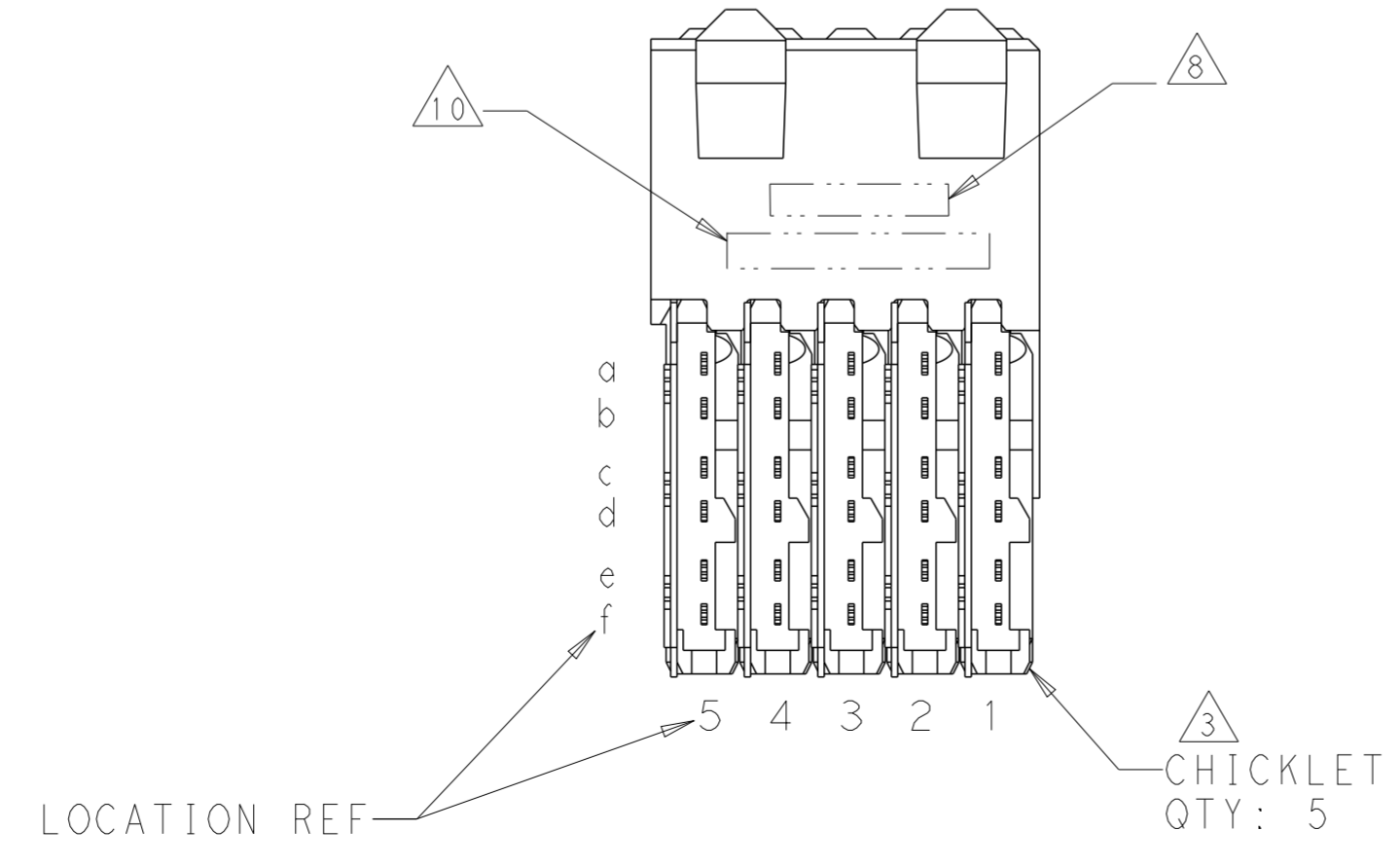
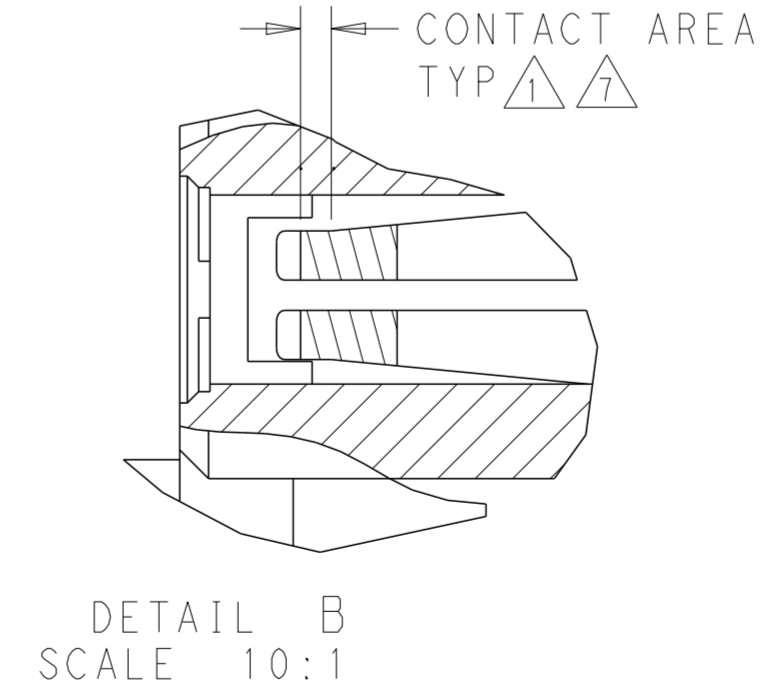
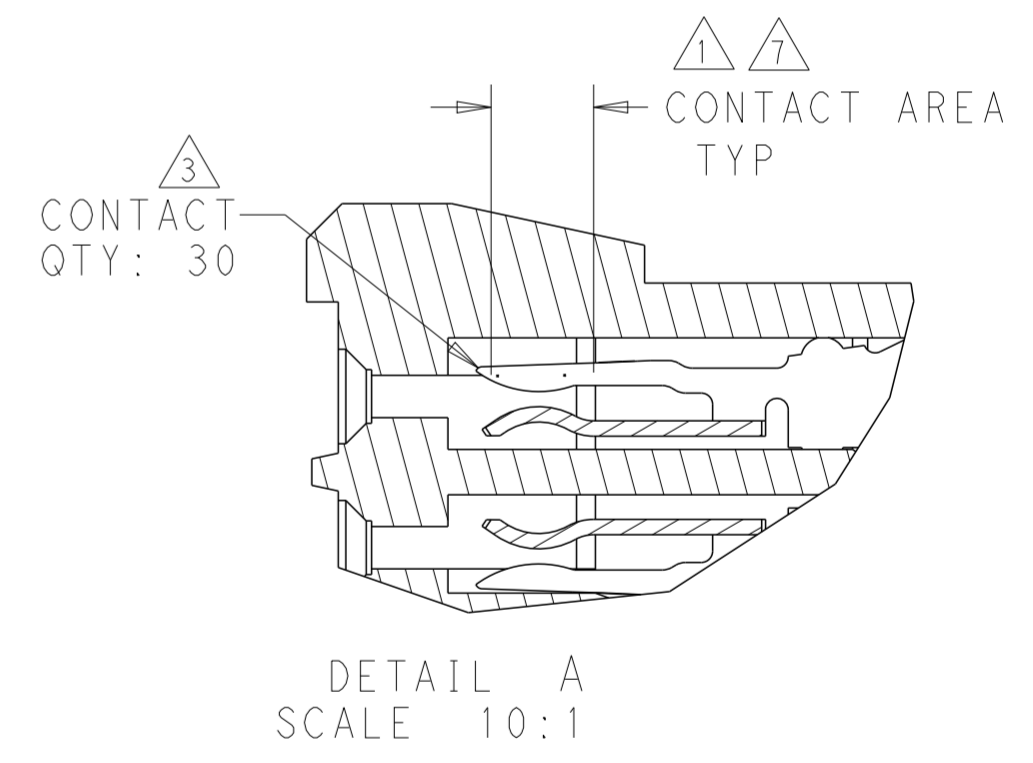


THIS DRAWING IS UNPUBLISHED. RELEASED FOR PUBLICATION 20
 © COPYRIGHT 20 BY - ALL RIGHTS RESERVED.

REVISIONS					
P	LTR	DESCRIPTION	DATE	DWN	APVD
	A	NEW DRAWING	21NOV2014	AP	RP



- 1 0.76µm MIN GOLD OVER 1.27µm MIN NICKEL OR GOLD FLASH OVER 0.76µm MIN PALLADIUM-NICKEL OVER 1.27µm MIN NICKEL
- 2 0.76µm MIN TIN OVER 1.27µm MIN NICKEL
- 3 MATERIAL:
CONTACT - COPPER ALLOY
SHIELD - PHOSPHOR BRONZE
HOUSING - LCP, UL94V-0
CHICKLET - GLASS FILLED POLYESTER
- 4 REFERENCE APPLICATION SPEC 114-13020 FOR RECOMMENDED PLATED THRU HOLE DIAMETER AND PLATING THICKNESS.
- 5 DATUM AND BASIC DIMENSION ESTABLISHED BY CUSTOMER.
- 6 SEATING HEIGHT TO BOARD SURFACE.
- 7 CONTACT AREA LUBRICATED WITH BELLCORE APPROVED LUBRICANT. TECHNICAL REFERENCE: GR-1217-CORE, ISSUE 1, NOVEMBER 1995.
- 8 DATE CODE
- 9 OPTIONAL POWER CONTACT PN 535875-X
- 10 PART NUMBER

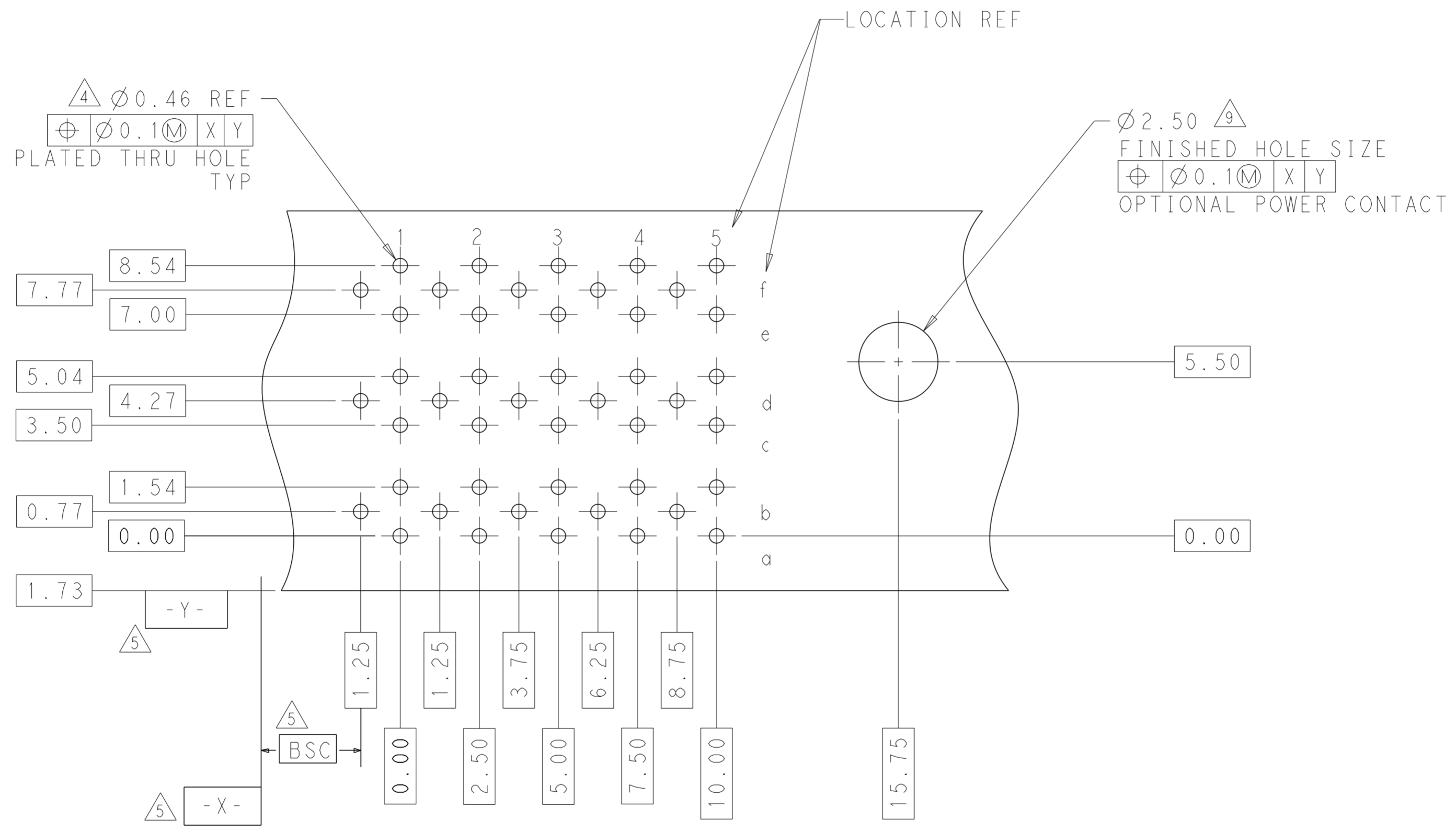


1645680-1
PART NUMBER


THIS DRAWING IS A CONTROLLED DOCUMENT.		DWN AJITH PAI 21NOV2014	TE Connectivity		
DIMENSIONS: mm		CHK R. PATTERSON 21NOV2014			
TOLERANCES UNLESS OTHERWISE SPECIFIED: 0 PLC ± 1 PLC ±0.5 2 PLC ±0.13 3 PLC ± 4 PLC ± ANGLES ± FINISH		APVD R. PATTERSON 21NOV2014	NAME RECEPTACLE ASSEMBLY, 30 POSITION RIGHT HAND, 6 ROW, DUAL BEAM, Z-PACK HS3 PLUS		
MATERIAL		PRODUCT SPEC 108-1957	SIZE A2	CAGE CODE 00779	DRAWING NO 1645680
3		APPLICATION SPEC 114-13020	RESTRICTED TO		
		WEIGHT -	SCALE 3:1 SHEET 1 OF 2 REV A		
		Customer Drawing			

THIS DRAWING IS UNPUBLISHED. RELEASED FOR PUBLICATION 20
 © COPYRIGHT 20 BY - ALL RIGHTS RESERVED.

REVISIONS				
P	LTR	DESCRIPTION	DATE	APVD
-	-	SEE SHEET 1	-	-



RECOMMENDED PRINTED
 CIRCUIT BOARD LAYOUT
 COMPONENT SIDE OF PRINTED CIRCUIT BOARD

THIS DRAWING IS A CONTROLLED DOCUMENT.		DWN AJITH PAI 21NOV2014	 TE Connectivity	
DIMENSIONS: mm		CHK R. PATTERSON 21NOV2014		
TOLERANCES UNLESS OTHERWISE SPECIFIED:		APVD R. PATTERSON 21NOV2014	NAME RECEPTACLE ASSEMBLY, 30 POSITION RIGHT HAND, 6 ROW, DUAL BEAM, Z-PACK HS3 PLUS	
0 PLC ±- 1 PLC ±0.5 2 PLC ±0.13 3 PLC ±- 4 PLC ±- ANGLES ±- FINISH ±-		PRODUCT SPEC 108-1957	RESTRICTED TO	
MATERIAL		APPLICATION SPEC 114-13020	SIZE A2	CAGE CODE 00779
		WEIGHT -	DRAWING NO C-1645680	SCALE 3:1
		Customer Drawing	SHEET 1	OF 2
			REV A	

X-ON Electronics

Largest Supplier of Electrical and Electronic Components

Click to view similar products for te connectivity manufacturer:

Other Similar products are found below :

[570416-000](#) [CLTEQ-M81CE-SSRELAY-4-20V](#) [4-1633138-8](#) [D38999/24FJ4AN](#) [4-1195131-0](#) [650069-000](#) [SMD100-2](#) [2EDL4CM](#)
[DTS20W19-11PD-3028](#) [DTS20W19-11PD-3028-LC](#) [DTS20W19-32SD-3028-LC](#) [DTS20W19-32SD-3028](#) [NC6-P104-06](#) [TXR64AB90-](#)
[3616AI](#) [DTS26F21-41HE](#) [DTS26F21-41AE](#) [DTS26F21-41PE-LC](#) [DTS26F21-11SE-3028-LC](#) [D38999/24WF32JE](#) [D38999/24WF32SE-LC](#)
[DTS24W19-32HE](#) [D38999/20JB35HA](#) [D38999/24WJ20PA](#) [164-8033-08](#) [D38999/24FF32JE](#) [D38999/24FF32SE-LC](#) [D38999/24WF32JB](#)
[D38999/24WG11HA](#) [D38999/24WG11HN](#) [MS27467T21F11H](#) [DJT16E21-11HA](#) [DTS24F19-32HE](#) [DTS20W19-32SA-3028-LC](#) [DTS24F19-](#)
[11SC-3028-LC](#) [DTS24F19-11SC-3028](#) [DJT14E13-98HB](#) [D38999/20WC8BB](#) [1-330599-5](#) [DTS24F21-41HN-LC](#) [DTS24F21-41HN](#)
[DTS24F21-41AN](#) [DTS24F21-39HN](#) [DTS24F21-41PN-LC](#) [AFD50-10-6SN-1A-LC](#) [DJT10F17-26HC](#) [DTS24W19-32HB](#) [ACT20JE99HA](#)
[DJT10E17-26HC](#) [DJT10E17-26HN](#) [DJT10F17-26HA](#)