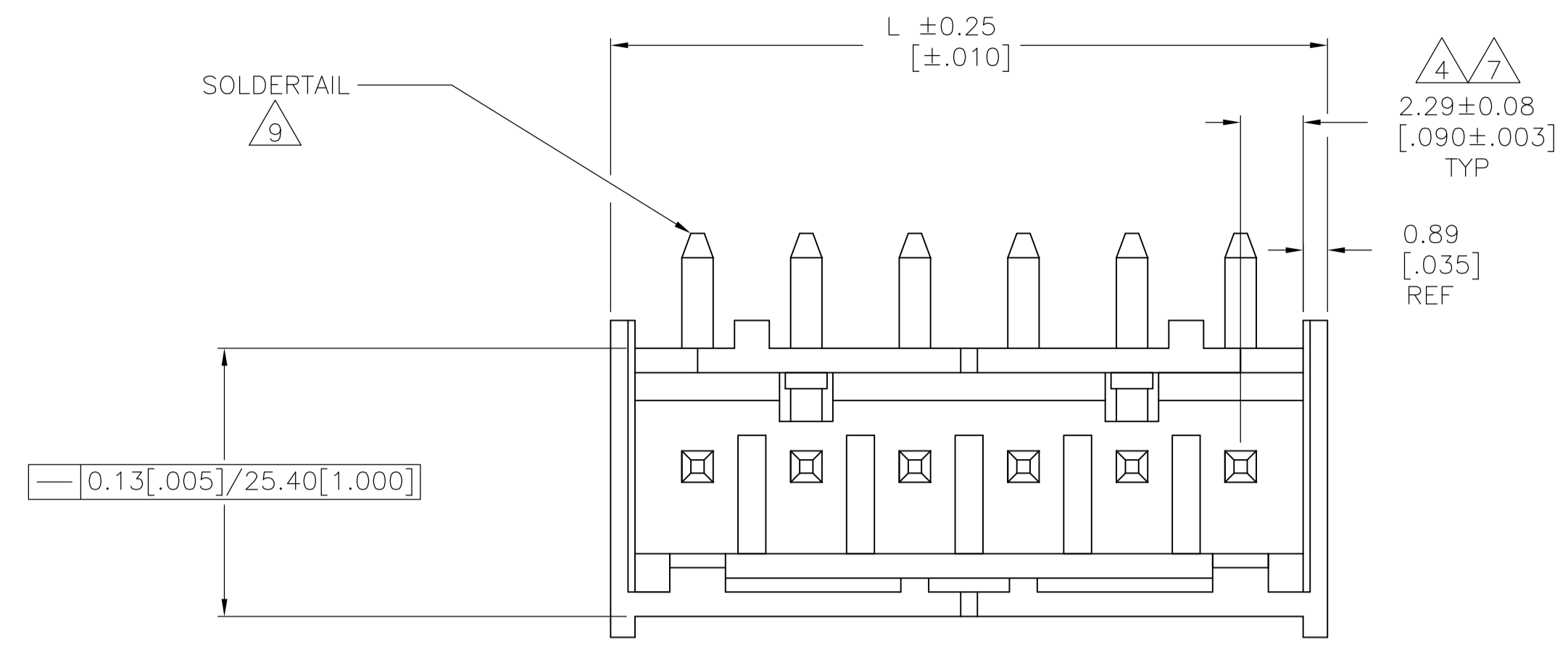


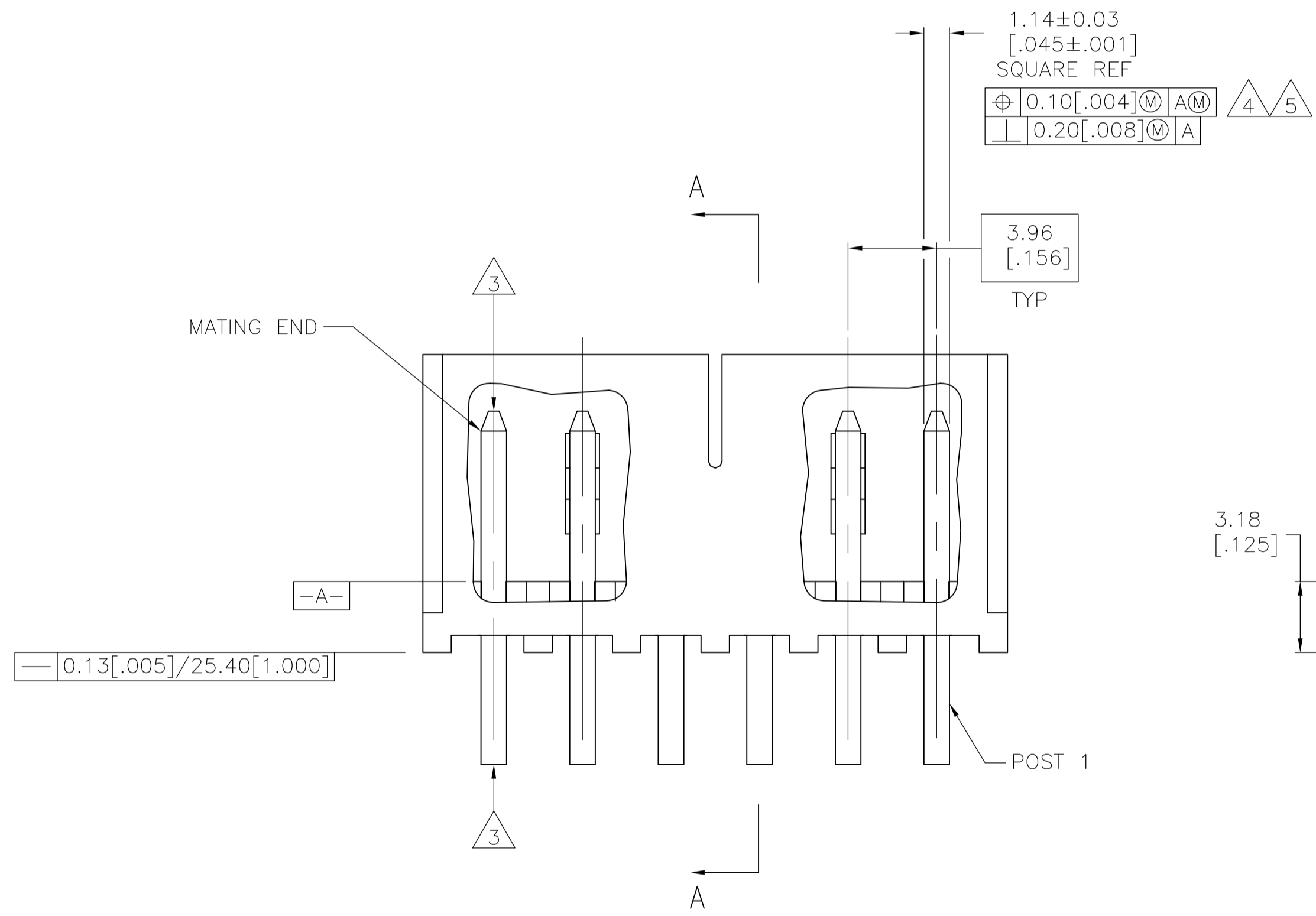
LOC		DIST		REVISIONS			
P	LTR	DESCRIPTION	DATE	DMN	APVD		
D		EC 0638 1113 04	29DEC05	BSV	DB		
D1		REVISED PER ECO-09-021510	14SEP09	KK	AEG		



4 7  
 2.29±0.08  
 [.090±.003]  
 TYP

0.89  
 [.035]  
 REF

0.13[.005]/25.40[1.000]



1.14±0.03  
 [.045±.001]  
 SQUARE REF

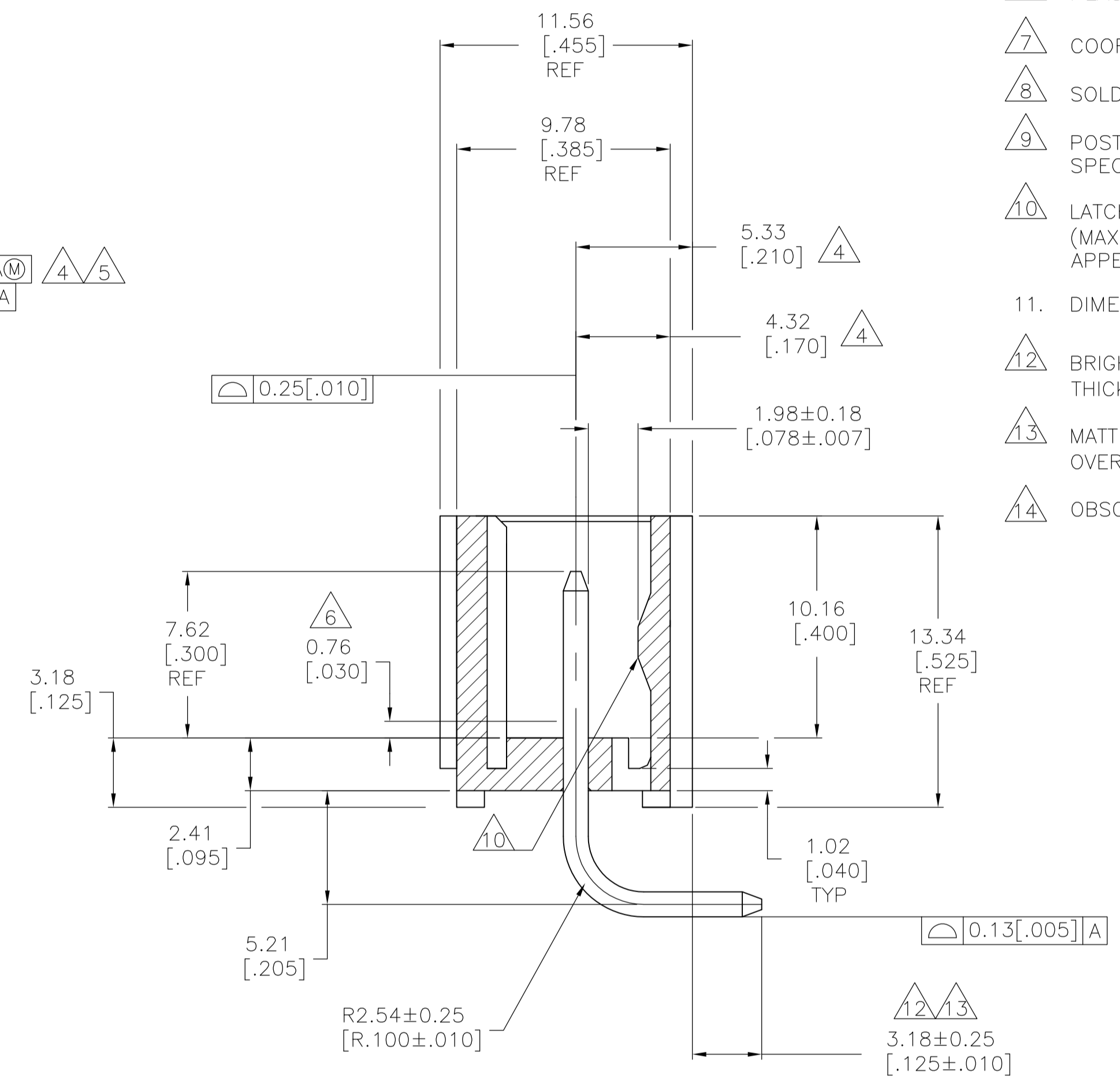
4 5  
 0.10[.004] M A M  
 0.20[.008] M A

3.96  
 [.156]  
 TYP

MATING END

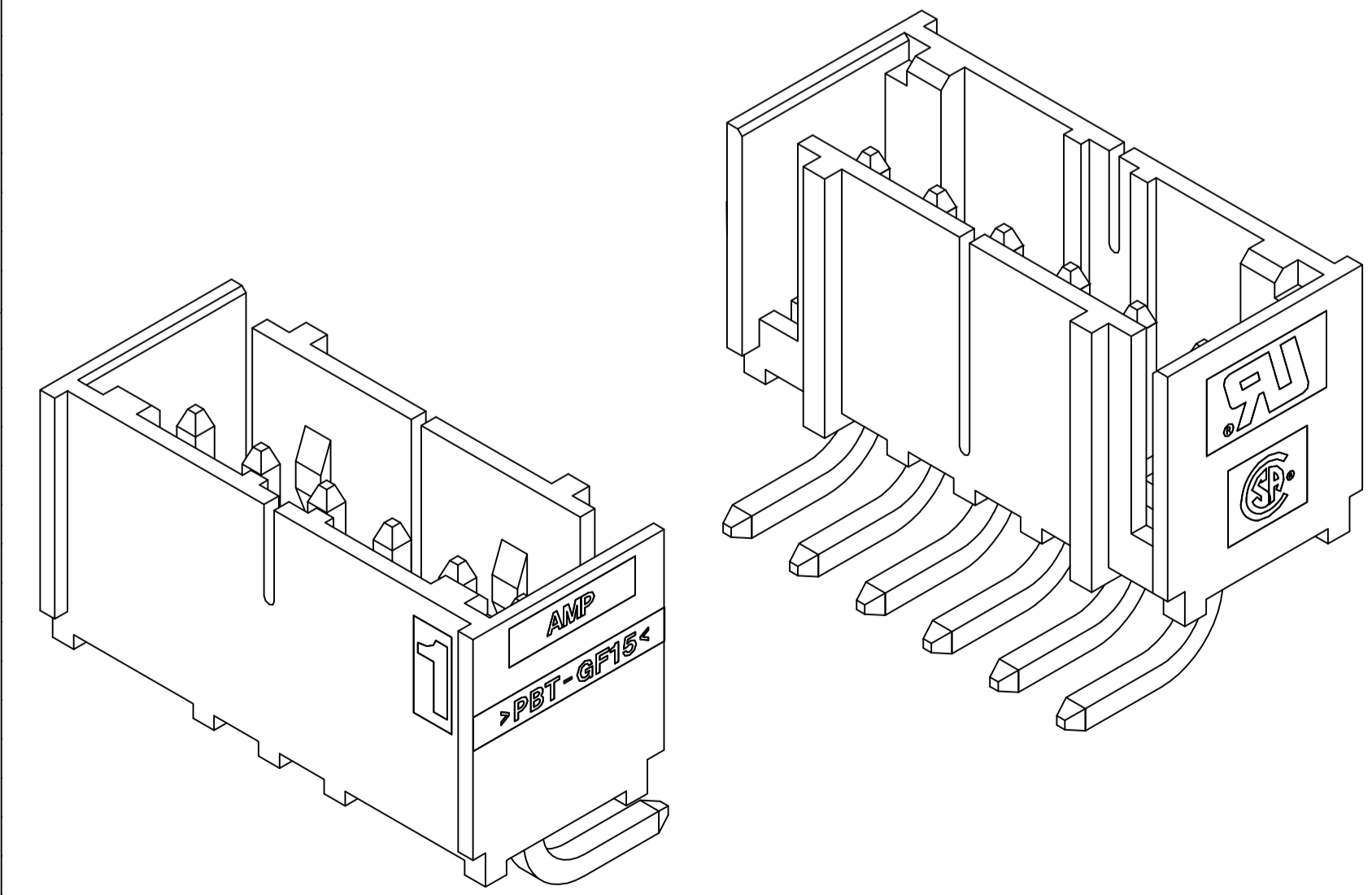
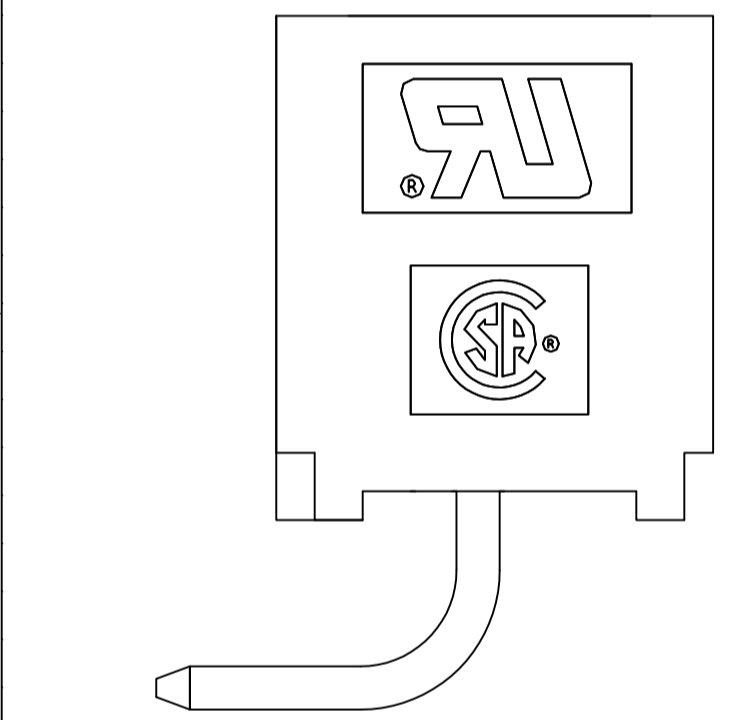
POST 1

0.13[.005]/25.40[1.000]

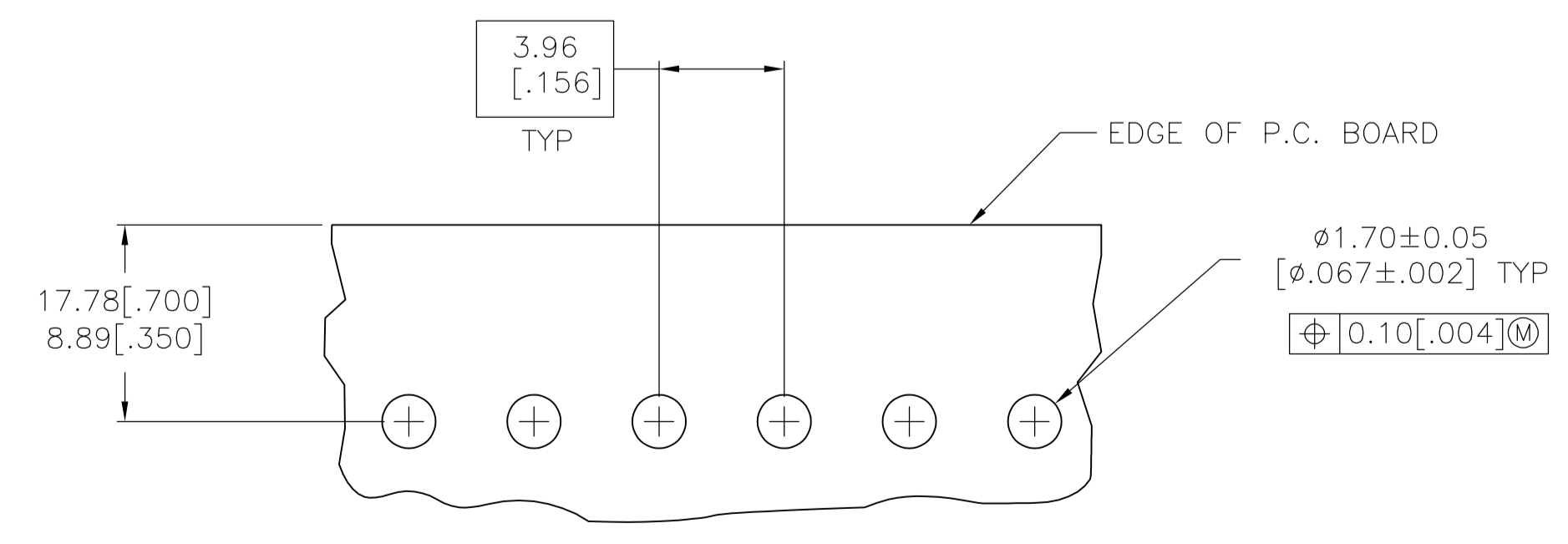


SECTION A-A

647126-6 SHOWN



3-DIMENSIONAL MODEL NTS

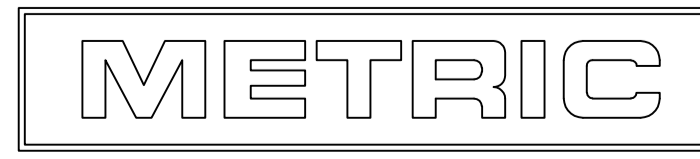


RECOMMENDED MOUNTING HOLE PATTERN FOR 1.57[.062] THICK P.C. BOARD

- 1 MATERIAL:  
HOUSING - THERMOPLASTIC POLYESTER, GLASS FILLED, UL94-0.  
POST - COPPER ALLOY
- 2 FINISH:  
HOUSING - BLACK  
POST - SEE NOTES 12 AND 13.
- 3 POST TO WITHSTAND 3LBS (16N) MIN AXIAL FORCE IN THIS DIRECTION WITHOUT DISLODGING.
- 4 APPLIES AT -A- .
- 5 APPLIES WHEN HEADER IS STRAIGHT .
- 6 PLASTIC PROJECTIONS PERMITTED IN THIS ZONE.
- 7 COORDINATE DIMENSIONS APPLIES FROM CENTER OF ACTUAL FEATURE.
- 8 SOLDER SIDE OF BOARD IS SHOWN.
- 9 POST SOLDERTAIL MUST COMPLY WITH AMP SOLDERABILITY SPEC 109-11-2.
- 10 LATCH DETENT FEATURE APPEARS 1 PLACE ON EACH END OF PART (MAX OF 2 PER PART) ON ALL POSITIONS 4 THRU 12. THE LATCH APPEARS ONLY ONE PLACE ON 2 & 3 POSITION PARTS.
- 11. DIMENSIONS IN BRACKETS ARE IN INCHES.
- 12 BRIGHT TIN LEAD (93/7) PLATE 0.00381 - 0.00889 [.000150 - .000350] THICK, OVER NICKEL UNDERPLATE 0.00127 [.000050] MIN THICK.
- 13 MATTE TIN PLATE 0.00381 - 0.00889 [.000150 - .000350] THICK, OVER NICKEL UNDERPLATE 0.00127 [.000050] MIN THICK.
- 14 OBSOLETE PARTS: OBSOLETE CIS STREAMLINING PER D.RENAUD/D.SINISI

PLATING	MM	IN	NO. OF POSN	PART NUMBER	
					L
SUPERSEDED	49.94	1.966	12	3-647126-2	
	45.97	1.810	11	3-647126-1	
	42.01	1.654	10	3-647126-0	
	38.05	1.498	9	2-647126-9	
	34.09	1.342	8	2-647126-8	
	30.12	1.186	7	2-647126-7	
	26.16	1.030	6	2-647126-6	
	22.20	.874	5	2-647126-5	
	18.24	.718	4	2-647126-4	
	14.27	.562	3	2-647126-3	
	10.31	.406	2	2-647126-2	
	SUPERSEDED	49.94	1.966	12	1-647126-2
		45.97	1.810	11	1-647126-1
42.01		1.654	10	1-647126-0	
38.05		1.498	9	647126-9	
34.09		1.342	8	647126-8	
30.12		1.186	7	647126-7	
	26.16	1.030	6	647126-6	
	22.20	.874	5	647126-5	
	18.24	.718	4	647126-4	
	14.27	.562	3	647126-3	
	10.31	.406	2	647126-2	

THIS DRAWING IS A CONTROLLED DOCUMENT.		DIN B LEWIS 17JUN98	Tyco Electronics Corporation Harrisburg, PA 17105-3608
DIMENSIONS: mm [INCHES]		CHK R SWING 17JUN98	NAME D CLARK 17JUN98
TOLERANCES UNLESS OTHERWISE SPECIFIED:		PRODUCT SPEC	
0. PLC	± .005	APPLICATION SPEC	
1. PLC	± .005	SIZE CAGE CODE DRAWING NO	
2. PLC	± .005	WEIGHT	
3. PLC	± .005	CUSTOMER DRAWING	
4. PLC	± .005	SCALE 5:1 SHEET 1 OF 1 REV D1	
ANGLES	± .005	A1 00779 C=647126	



## X-ON Electronics

Largest Supplier of Electrical and Electronic Components

*Click to view similar products for [TE Connectivity](#) manufacturer:*

Other Similar products are found below :

[D38999/24FJ4AN](#) [570416-000](#) [CLTEQ-M81CE-SSRELAY-4-20V](#) [4-1195131-0](#) [650069-000](#) [SMD100-2](#) [358838-000](#) [CB-1022B-78](#)  
[RM707012](#) [RP410012](#) [MMS42](#) [1-640426-8](#) [2EDL4CM](#) [DTS20W19-11PD-3028-LC](#) [RM202615](#) [NC6-P104-06](#) [MSPS103B](#) [DTS26F21-](#)  
[41HE-LC](#) [DTS26F21-41AE](#) [DTS26F21-41PE-LC](#) [DTS26F21-11SE-3028-LC](#) [30DCB6](#) [1932144-1](#) [293545-4](#) [LVR125S](#) [MS27466T25F4PB](#)  
[CKB-38-78010](#) [TR04AI-TINELLOCKRING](#) [1206SFF150F/63-2](#) [D38999/20JB35HA](#) [TE1500A2R2J](#) [D38999/20WC8BB](#) [DTS24F19-11SC-](#)  
[3028-LC](#) [D38999/24WG11HA](#) [D38999/24WG11HN](#) [MS27467T21F11H](#) [DJT16E21-11HA](#) [MS27467T21F35J](#) [MS27467T21F11J](#)  
[MS27467T21F16H-LC](#) [MS27467T21F35H](#) [MS27467T21F41H-LC](#) [1206SFH150F/24-2](#) [RP330024](#) [DJT16E21-11PA-LC](#) [DJT16E21-11HA-](#)  
[LC](#) [DJT16E21-11AA](#) [MS27467T21B11JA](#) [DJT16E21-11JA](#) [MS27467T21B11JA-LC](#)