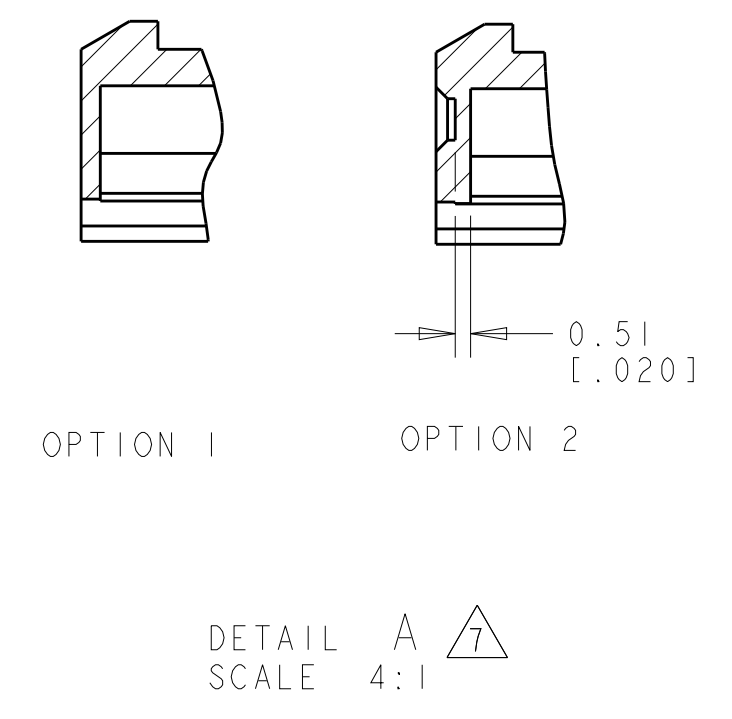
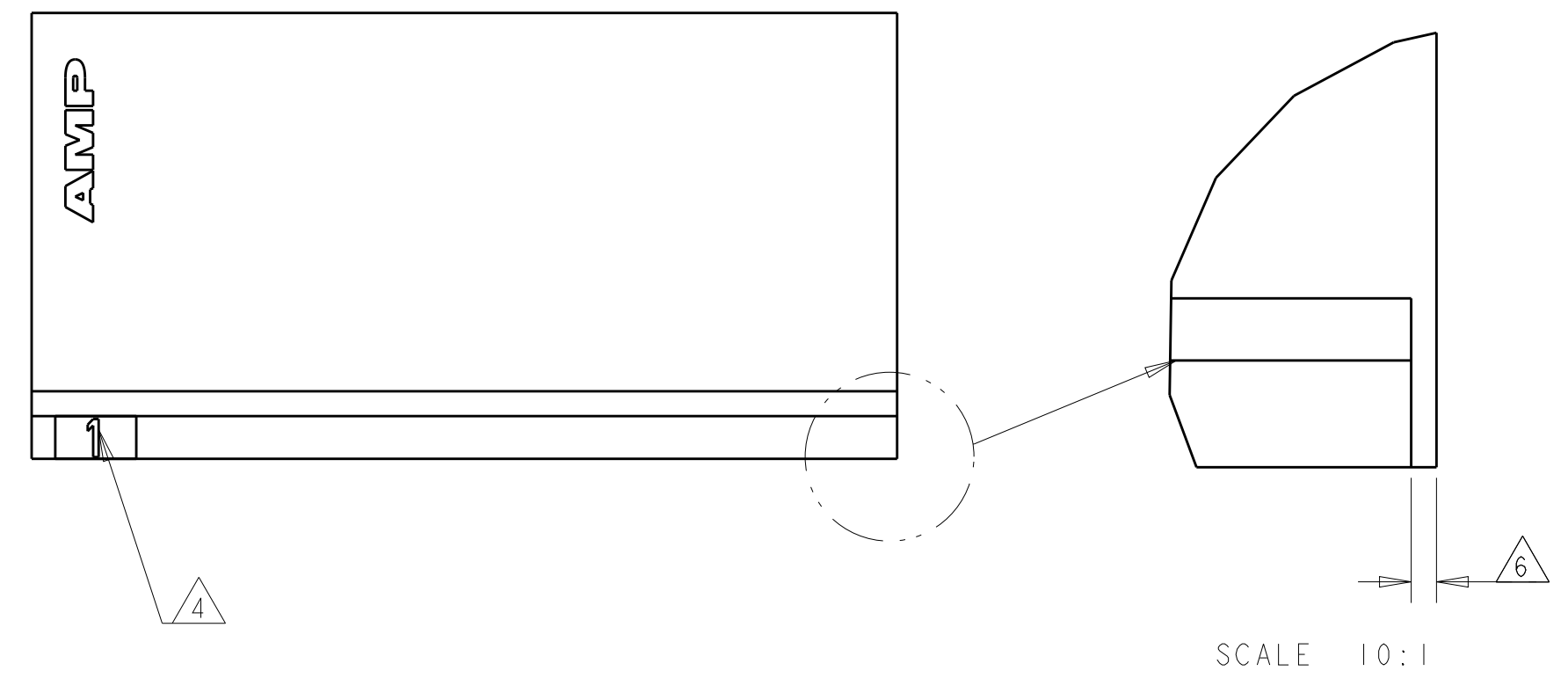
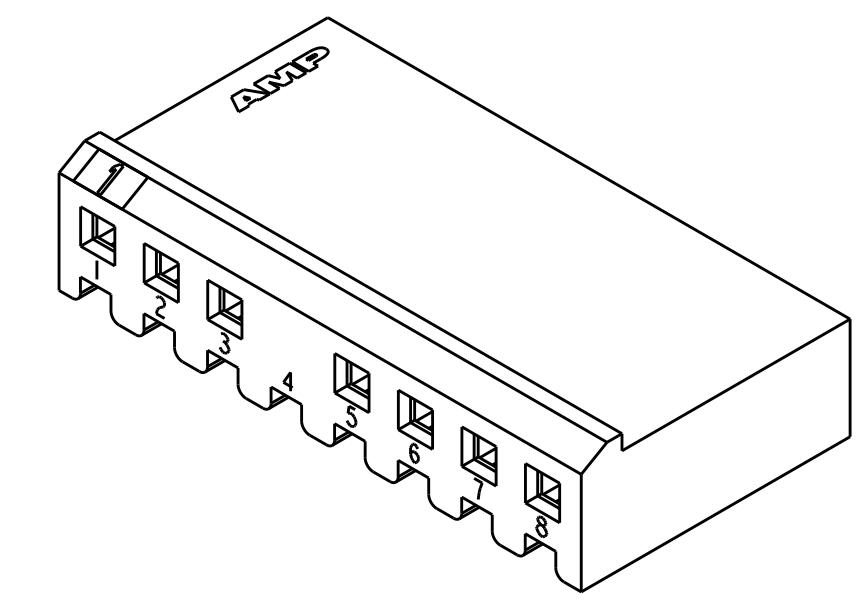
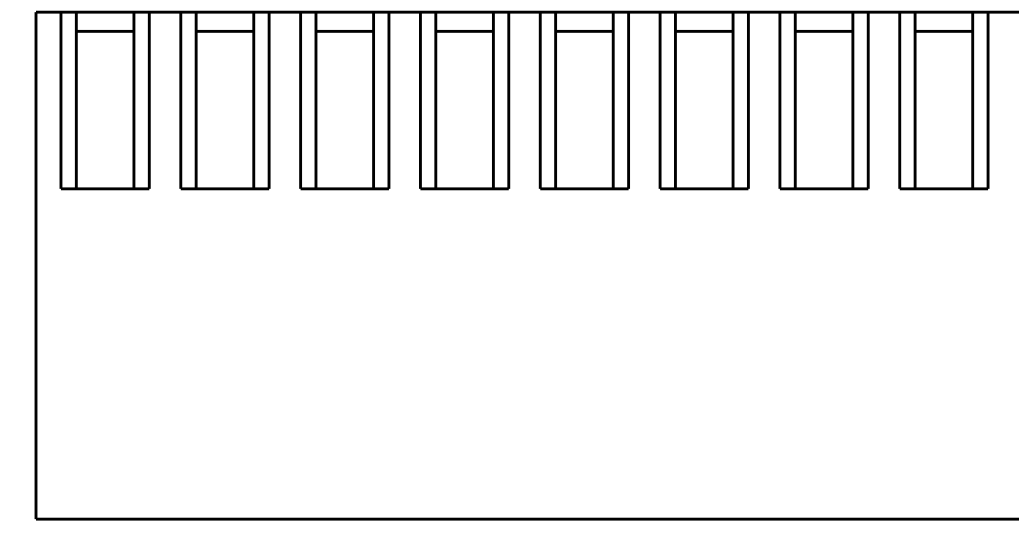
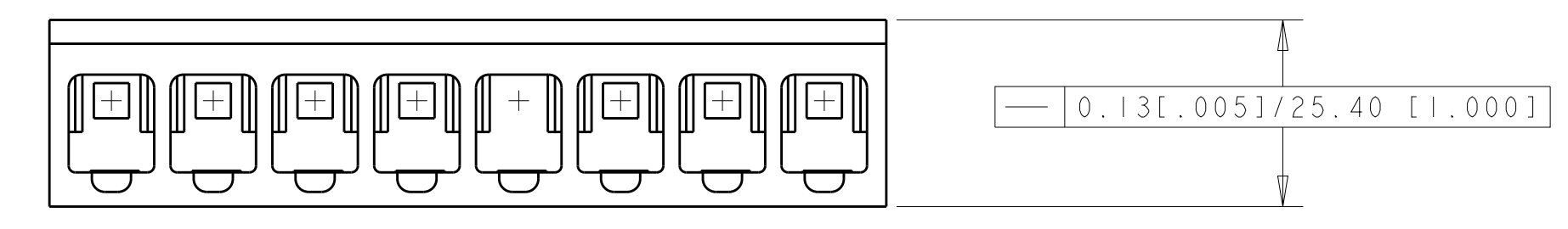
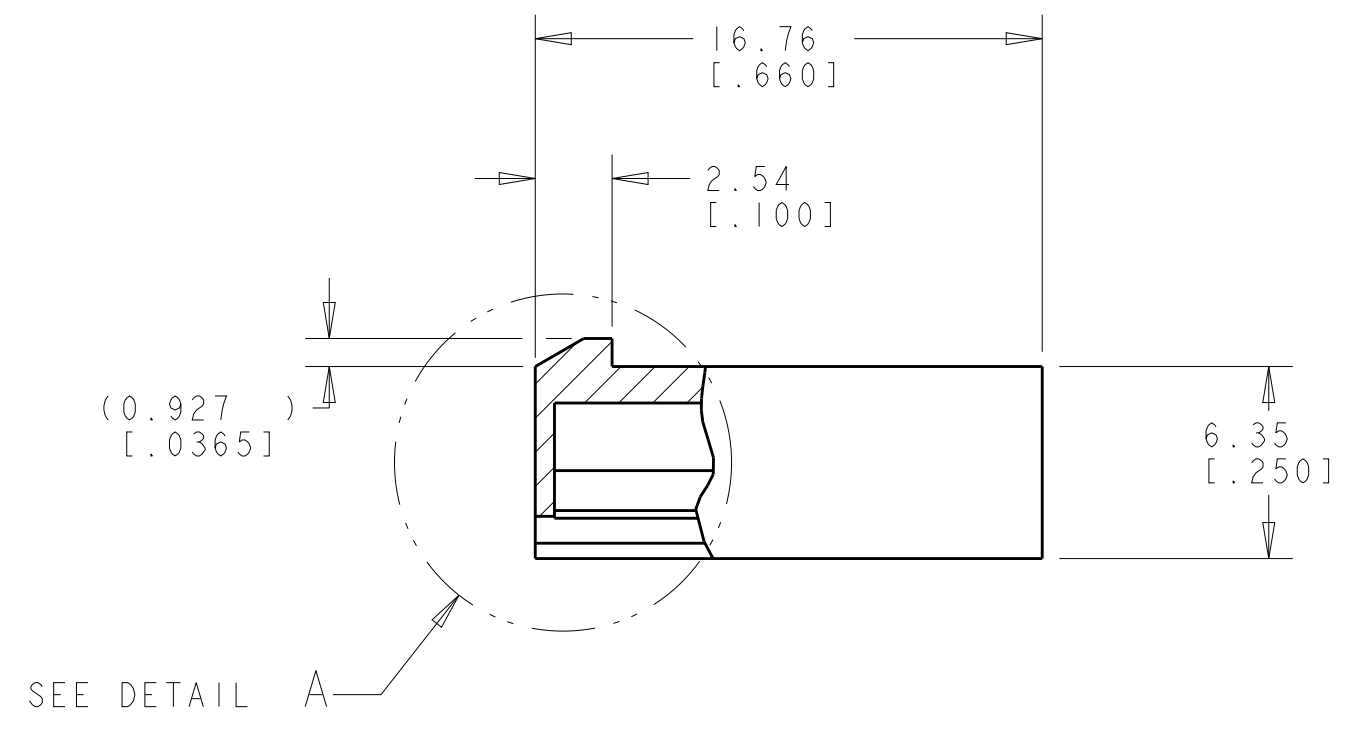
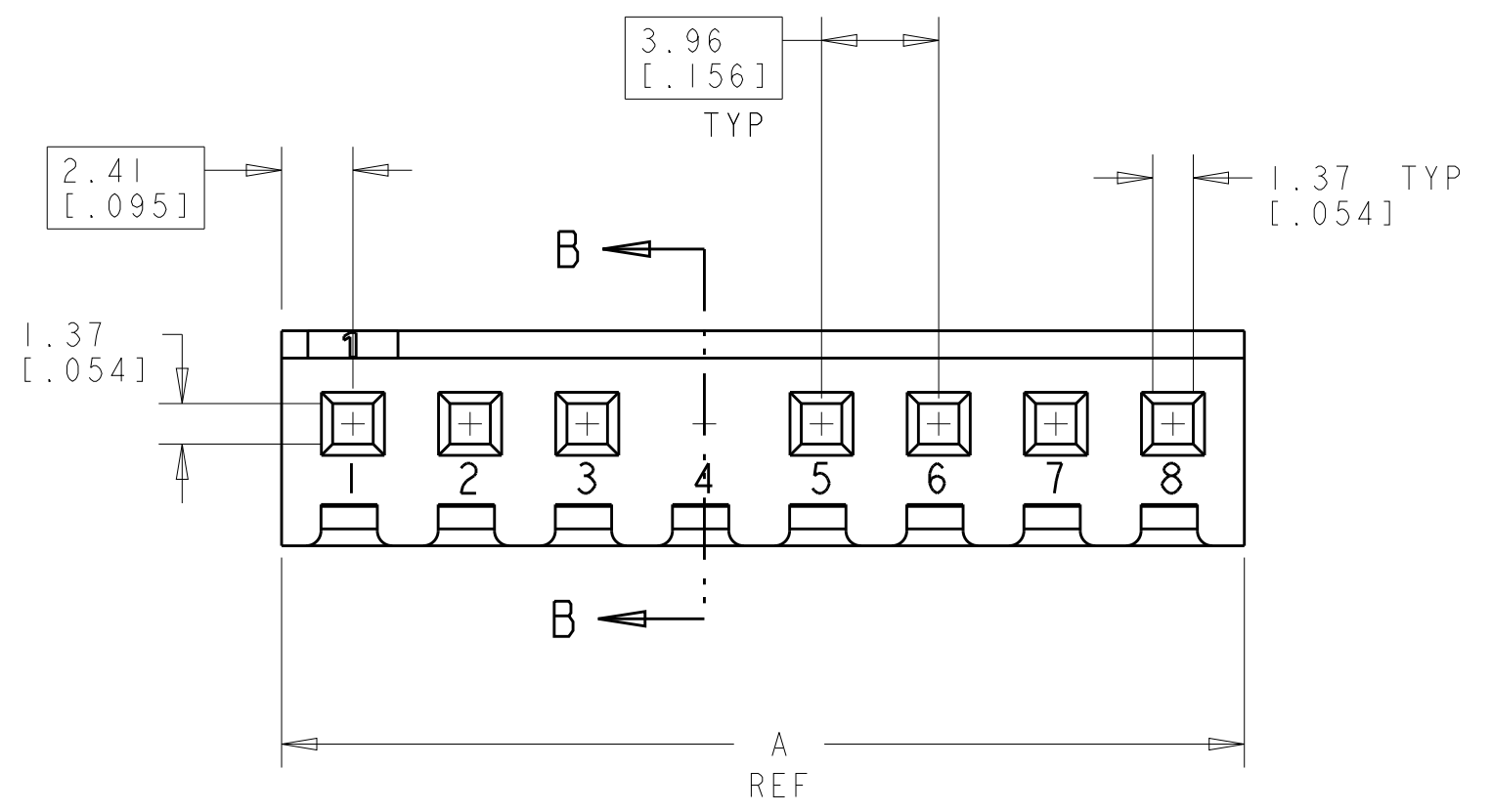


LOC	DIST	REVISIONS					
		P	LTN	DESCRIPTION	DATE	DWN	APVD
CM	00	E		REVISED PER ECO-12-007810	28JUL2012	KH	SM



- UNIT ACCEPTS 1.14 [.045] SQUARE OR ROUND POST.
- UNIT ACCEPTS STANDARD SL-156 CONTACTS.
- UNIT ACCEPTS KEYING PLUG 640254-1 AND KEYING PIN 640255-1.
- CIRCUIT I.D. NUMBER(S) TO BE LOCATED SEQUENTIALLY AS SHOWN OR ONLY NO. 1 CIRCUIT PLACED ON LOCKING RAMP.
- DIMENSION IN BRACKETS ARE IN INCHES.
- OPTIONAL CONSTRUCTION (BOTH CORNERS) UP TO 0.38 [.015].
- DETAIL A SHOWS CIRCUIT 4 MOLDED CLOSED. EITHER OPTION 1 OR OPTION 2 MAY BE USED.
- ACCEPTS UP TO 2.79 [.110] INSULATION WIRE.



3-DIMENSIONAL MODEL
SCALE 3:1

647412-8 SHOWN

	DIM A	NO OF CIRCUITS	PART NUMBER
PRELIMINARY	95.96 [3.778]	24	2-647412-4
PRELIMINARY	92.00 [3.622]	23	2-647412-3
PRELIMINARY	88.04 [3.466]	22	2-647412-2
PRELIMINARY	84.07 [3.310]	21	2-647412-1
PRELIMINARY	80.11 [3.154]	20	2-647412-0
PRELIMINARY	76.15 [2.998]	19	1-647412-9
PRELIMINARY	72.19 [2.842]	18	1-647412-8
PRELIMINARY	68.22 [2.686]	17	1-647412-7
PRELIMINARY	64.26 [2.530]	16	1-647412-6
	60.30 [2.374]	15	1-647412-5
PRELIMINARY	56.34 [2.218]	14	1-647412-4
PRELIMINARY	52.37 [2.062]	13	1-647412-3
PRELIMINARY	48.41 [1.906]	12	1-647412-2
PRELIMINARY	44.45 [1.750]	11	1-647412-1
PRELIMINARY	40.49 [1.594]	10	1-647412-0
PRELIMINARY	36.53 [1.438]	9	647412-9
	32.56 [1.282]	8	647412-8
PRELIMINARY	28.60 [1.126]	7	647412-7
PRELIMINARY	24.64 [0.970]	6	647412-6
PRELIMINARY	20.68 [0.814]	5	647412-5
PRELIMINARY	16.71 [0.658]	4	647412-4

THIS DRAWING IS A CONTROLLED DOCUMENT. DWN J. WHITAKER 27-JAN-04
 CHK J. ELLIS 27-JAN-04
 APVD J. ELLIS 27-JAN-04

DIMENSIONS: mm [INCHES] TOLERANCES UNLESS OTHERWISE SPECIFIED:
 0 PLC ±
 1 PLC ±
 2 PLC ±0.13 [0.005]
 3 PLC ±
 4 PLC ±
 ANGLES ±40°/30°

MATERIAL: NYLON UL94V-0, NATURAL FINISH

PRODUCT SPEC: HOUSING, WITH LOCKING RAMP, SL-156, FOR LARGE WIRE INSULATION, CIRCUIT 4 BLOCKED

APPLICATION SPEC: A100779C=647412

WEIGHT: -

CUSTOMER DRAWING

SCALE 4:1 SHEET 1 OF 1 REV E

X-ON Electronics

Largest Supplier of Electrical and Electronic Components

Click to view similar products for [Headers & Wire Housings](#) category:

Click to view products by [TE Connectivity](#) manufacturer:

Other Similar products are found below :

[95000-104TRLF](#) [10135584-644402LF](#) [DF62W-EP2022PCA](#) [95000-106TRLF](#) [DF62W-2022SCA](#) [DF62W-EP2022PC](#) [2203348](#) [DF62W-2022SC](#) [1084018](#) [1029039](#) [1084017](#) [802-10-012-10-002000](#) [1112640](#) [1112639](#) [891-007-9SS-BST1T](#) [000-34000](#) [0008550134](#) [0009482033](#) [0009507031](#) [57102-F02-18ULF](#) [57102-S06-03LF](#) [57202-S52-04LF](#) [PCN6-15S-2.5E](#) [0039019024](#) [58102-G61-06LF](#) [582553-1](#) [0009485154](#) [0009508121](#) [009176003701906](#) [0022285053](#) [0050291907](#) [018731A](#) [LY20-4P-DT1-P1E-BR](#) [02.125.8002.8](#) [60101931](#) [60598-1 \(Cut Strip\)](#) [M1625-3R/100](#) [61062-3](#) [61082-181009](#) [CSU011177004](#) [636-1427](#) [638009-1](#) [641938-9](#) [641991-4](#) [644168-1](#) [644827-2](#) [647662-1](#) [65039-019ELF](#) [65692-001LF](#) [65781-018](#)