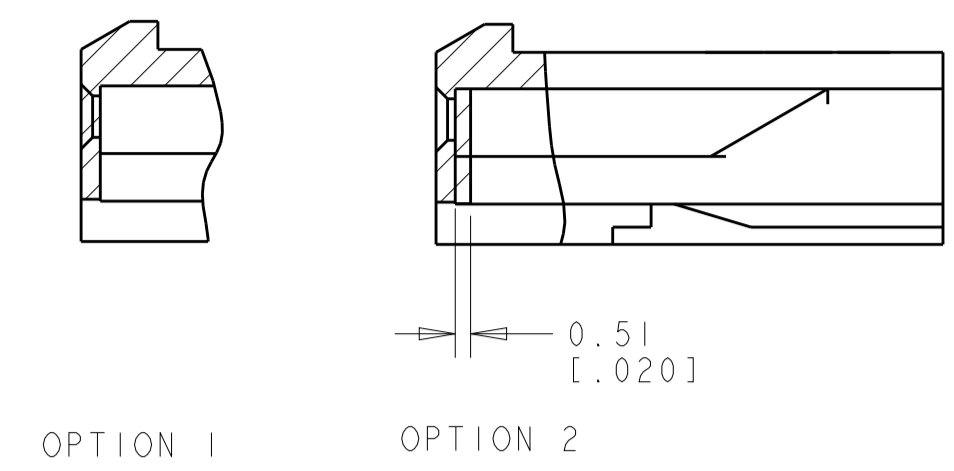
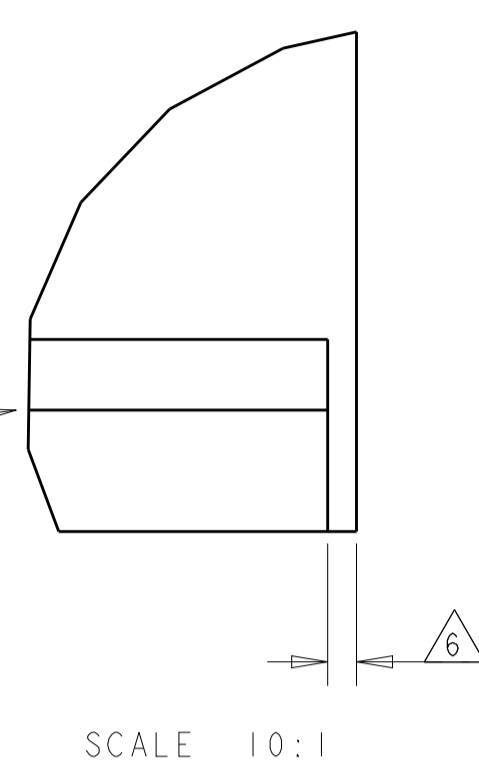
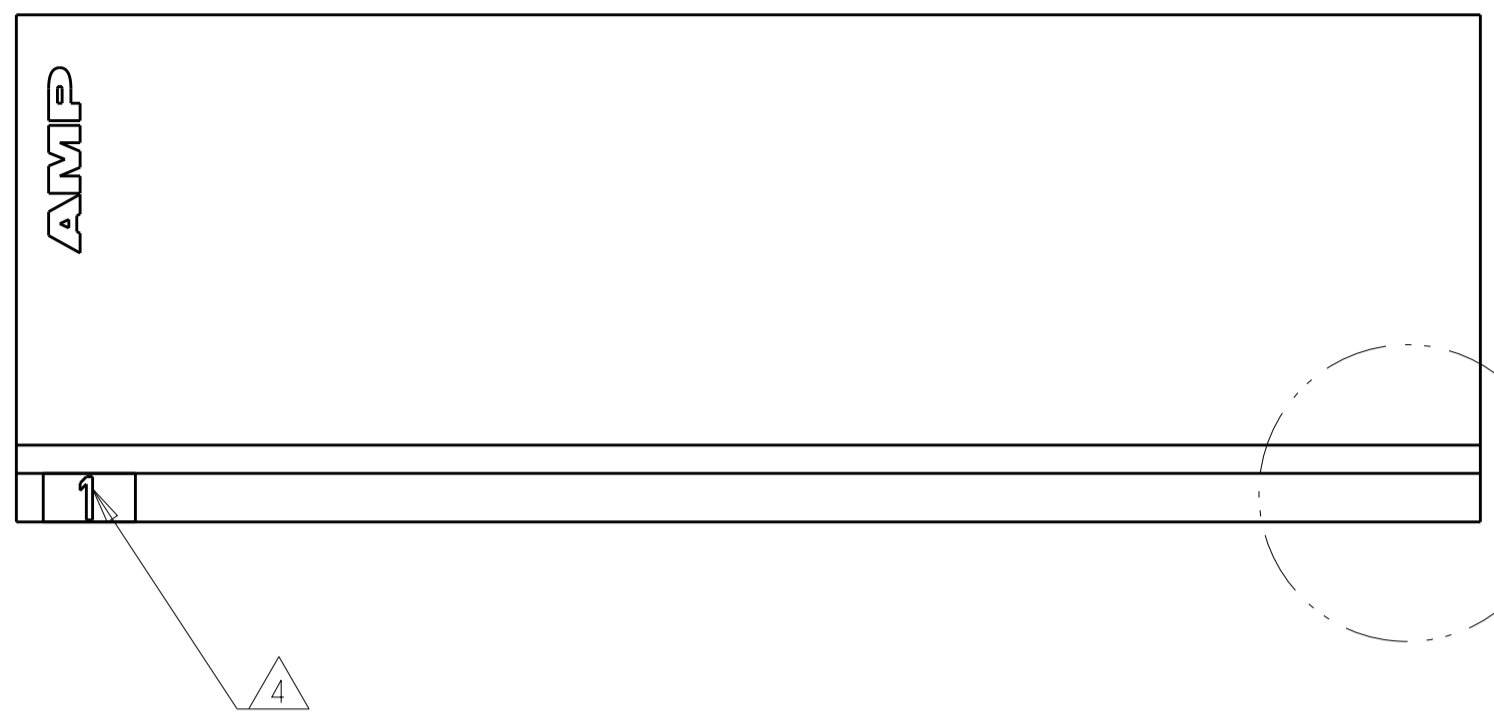
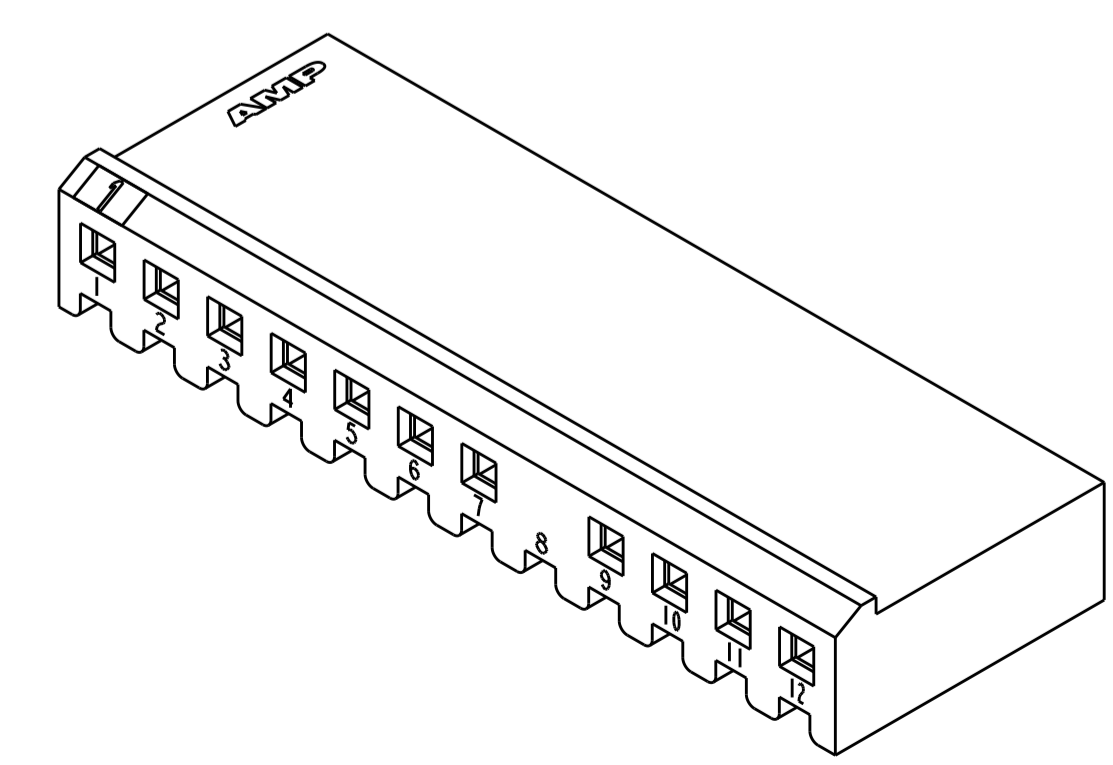
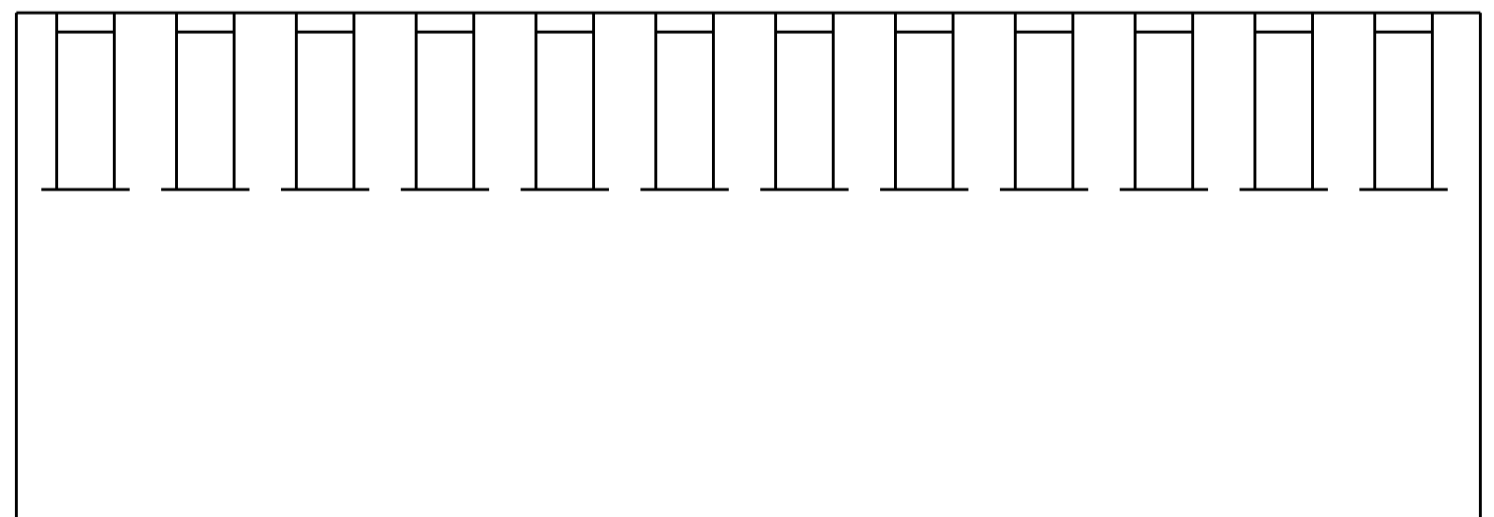
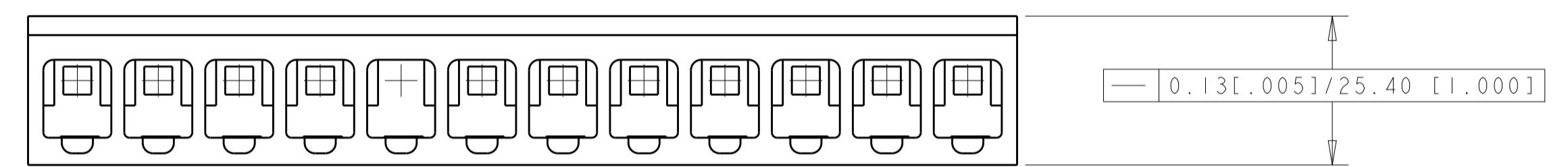
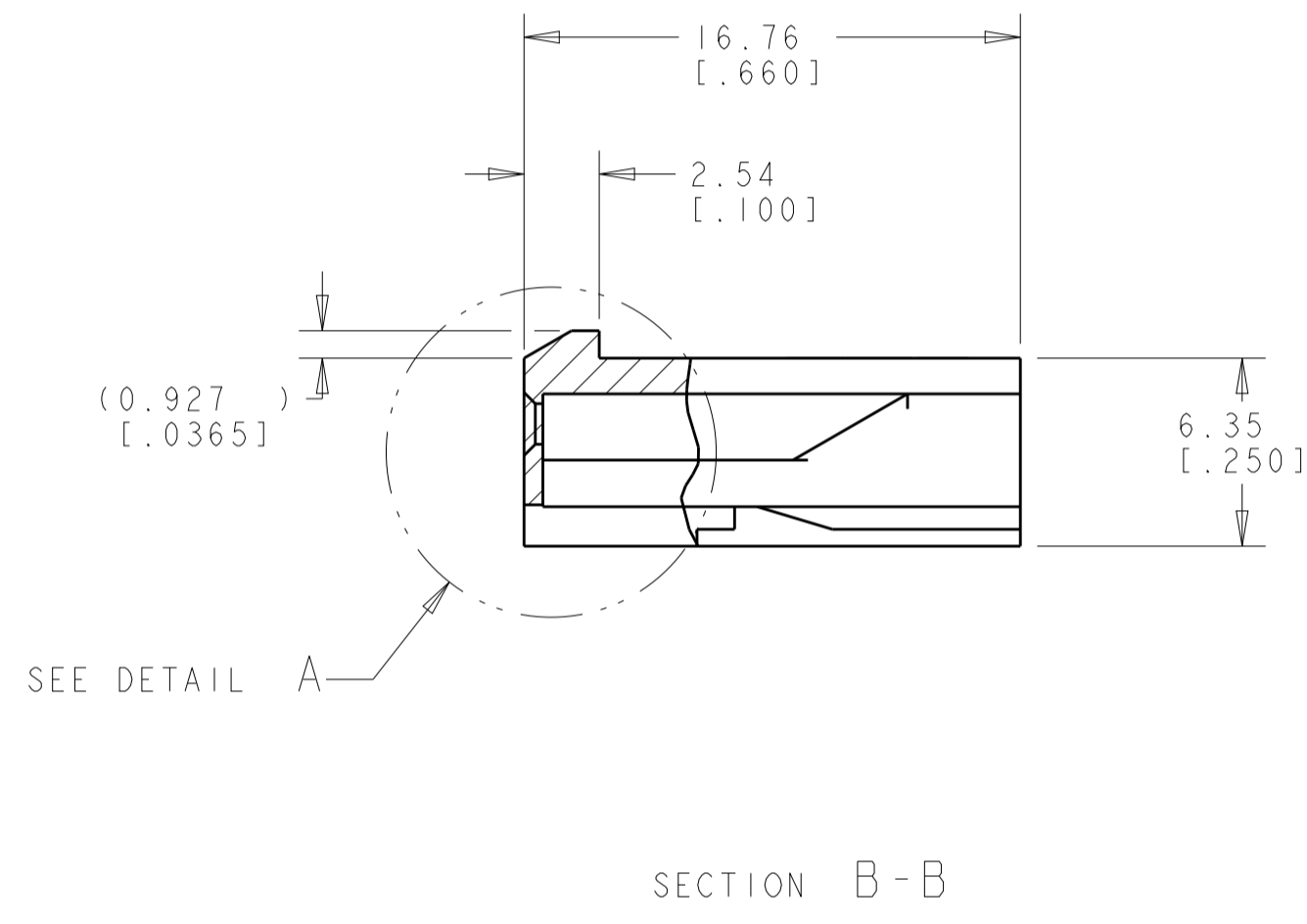
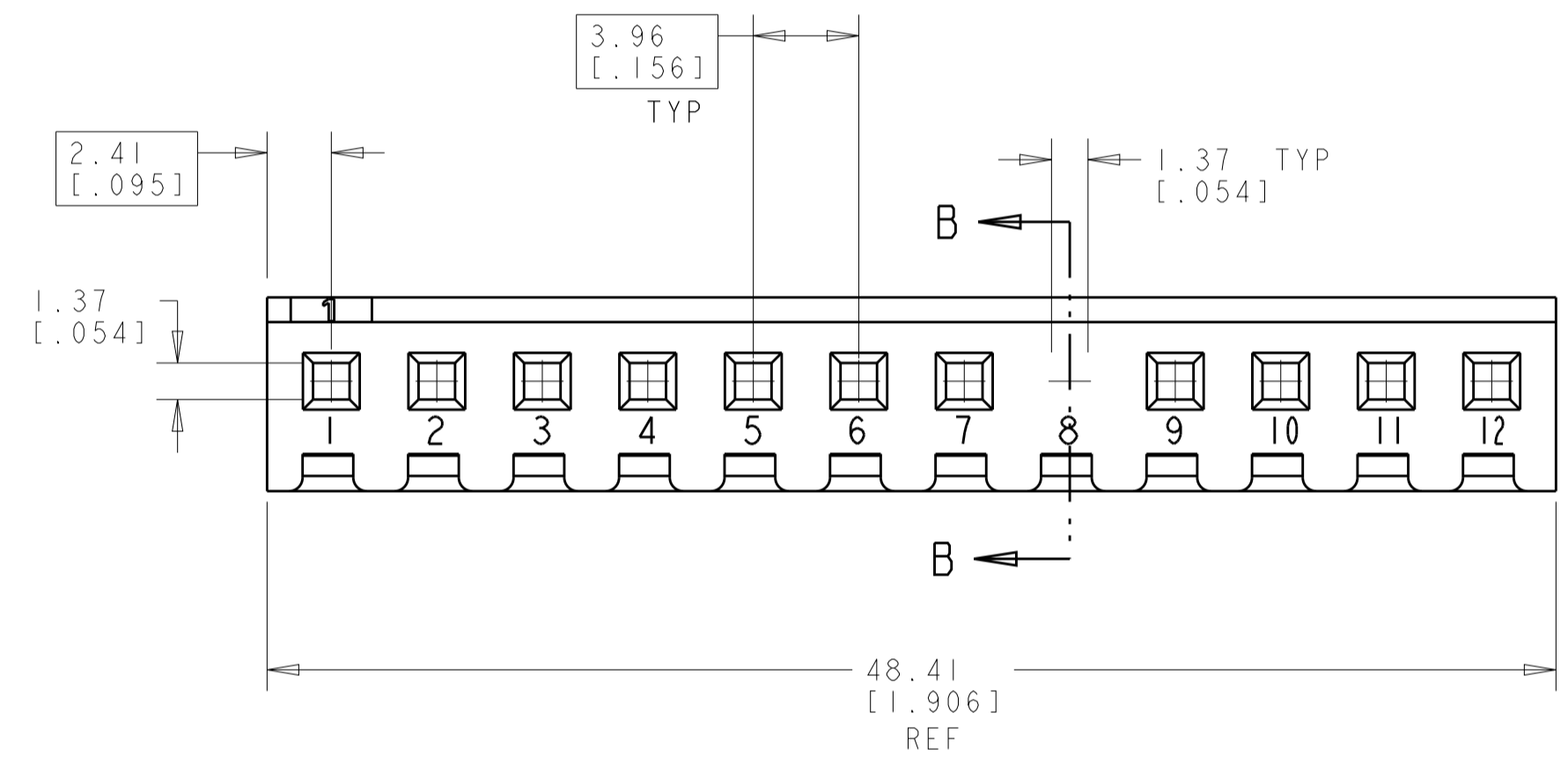


LOC		DIST		REVISIONS			
CM	00	P	LTH	DESCRIPTION	DATE	DWN	APVD
		C		REVISED PER ECR-13-008203	20JUN2013	KH	JR



DETAIL A \triangle 7
 SCALE 4:1

1. UNIT ACCEPTS 1.14 [.045] SQUARE OR ROUND POST.
2. UNIT ACCEPTS STANDARD SL-156 CONTACTS.
3. UNIT ACCEPTS KEYING PLUG 640254-1 AND KEYING PIN 640255-1.
- \triangle 4. CIRCUIT I.D. NUMBER(S) TO BE LOCATED SEQUENTIALLY AS SHOWN OR ONLY NO. 1 CIRCUIT PLACED ON LOCKING RAMP.
5. DIMENSION IN BRACKETS ARE IN INCHES.
- \triangle 6. OPTIONAL CONSTRUCTION (BOTH CORNERS) UP TO 0.38 [.015].
- \triangle 7. DETAIL A SHOWS CIRCUIT 8 MOLDED CLOSED. EITHER OPTION 1 OR OPTION 2 MAY BE USED.
8. ACCEPTS UP TO 2.79 [.110] INSULATION WIRE.



3-DIMENSIONAL MODEL
 SCALE 3:1

12	1-647417-2
NO OF CIRCUITS	PART NUMBER

THIS DRAWING IS A CONTROLLED DOCUMENT.		DWN R. WHITAKER 27-JAN-04	NAME HOUSING, WITH LOCKING RAMP, SL-156, FOR LARGE WIRE INSULATION, CIRCUIT 8 BLOCKED
DIMENSIONS: mm [INCHES]		CHK J. ELLIS 27-JAN-04	
TOLERANCES UNLESS OTHERWISE SPECIFIED:		APVD J. ELLIS 27-JAN-04	PRODUCT SPEC
0 PLC	±		APPLICATION SPEC
1 PLC	±		
2 PLC	±0.13 [.005]		
3 PLC	±		
4 PLC	±		
ANGLES	±	40° 30'	
MATERIAL NYLON, UL 94V-0 NATURAL	FINISH	WEIGHT	RESTRICTED TO
CUSTOMER DRAWING		SIZE A100779	DRAWING NO C=647417
SCALE 4:1		SHEET 1 OF 1	REV C

X-ON Electronics

Largest Supplier of Electrical and Electronic Components

Click to view similar products for [Headers & Wire Housings](#) category:

Click to view products by [TE Connectivity](#) manufacturer:

Other Similar products are found below :

[95000-104TRLF](#) [10135584-644402LF](#) [DF62W-EP2022PCA](#) [95000-106TRLF](#) [DF62W-2022SCA](#) [DF62W-EP2022PC](#) [2203348](#) [DF62W-2022SC](#) [1084018](#) [1029039](#) [1084017](#) [802-10-012-10-002000](#) [1112640](#) [1112639](#) [891-007-9SS-BST1T](#) [000-34000](#) [0008550134](#) [0009482033](#) [0009507031](#) [57102-F02-18ULF](#) [57102-S06-03LF](#) [57202-S52-04LF](#) [PCN6-15S-2.5E](#) [0039019024](#) [58102-G61-06LF](#) [582553-1](#) [0009485154](#) [0009508121](#) [009176003701906](#) [0022285053](#) [0050291907](#) [018731A](#) [LY20-4P-DT1-P1E-BR](#) [02.125.8002.8](#) [60101931](#) [60598-1 \(Cut Strip\)](#) [M1625-3R/100](#) [61062-3](#) [61082-181009](#) [CSU011177004](#) [636-1427](#) [638009-1](#) [641938-9](#) [641991-4](#) [644168-1](#) [644827-2](#) [647662-1](#) [65039-019ELF](#) [65692-001LF](#) [65781-018](#)