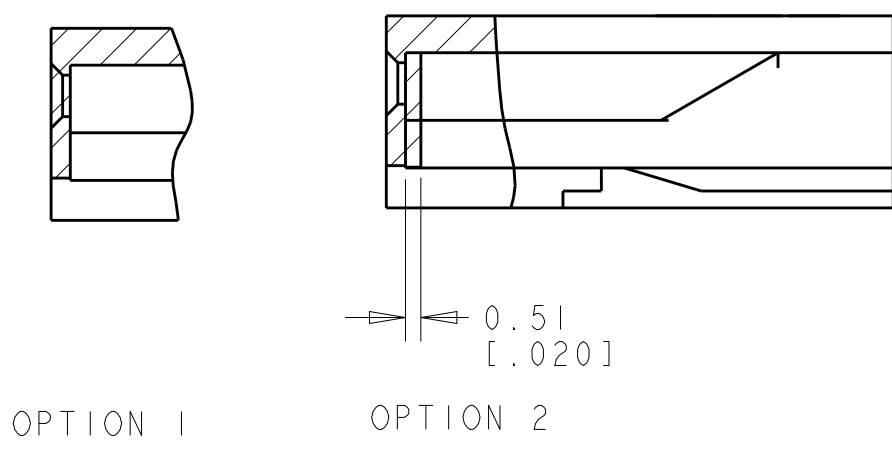
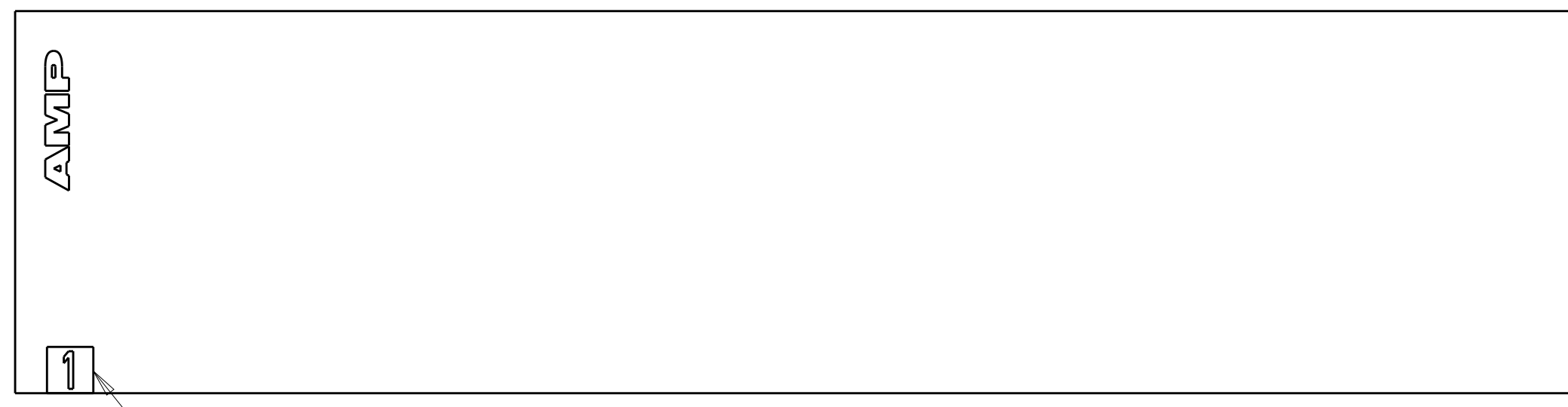
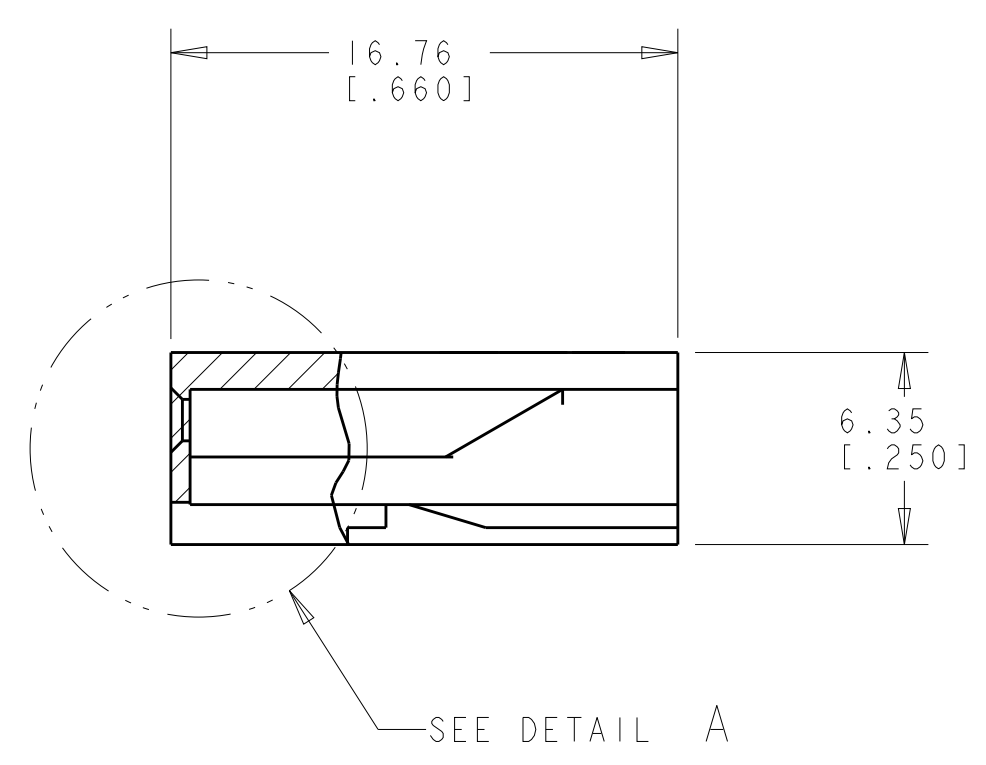
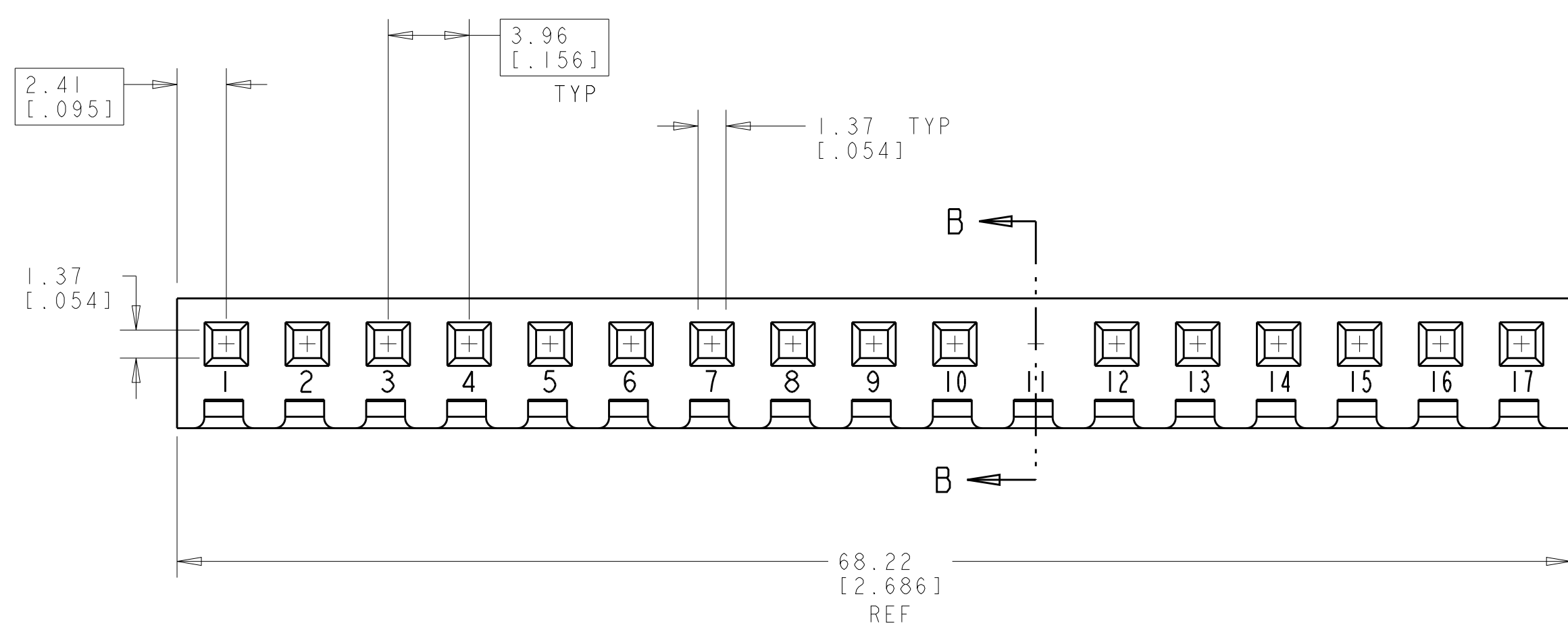


| LOC | | DIST | | REVISIONS | | | |
|-----|----|------|-----|---------------------------|-----------|-----|------|
| CM | 00 | P | LTN | DESCRIPTION | DATE | DWN | APVD |
| | | B | | REVISED PER ECO-12-007810 | 28JUL2012 | KH | SM |

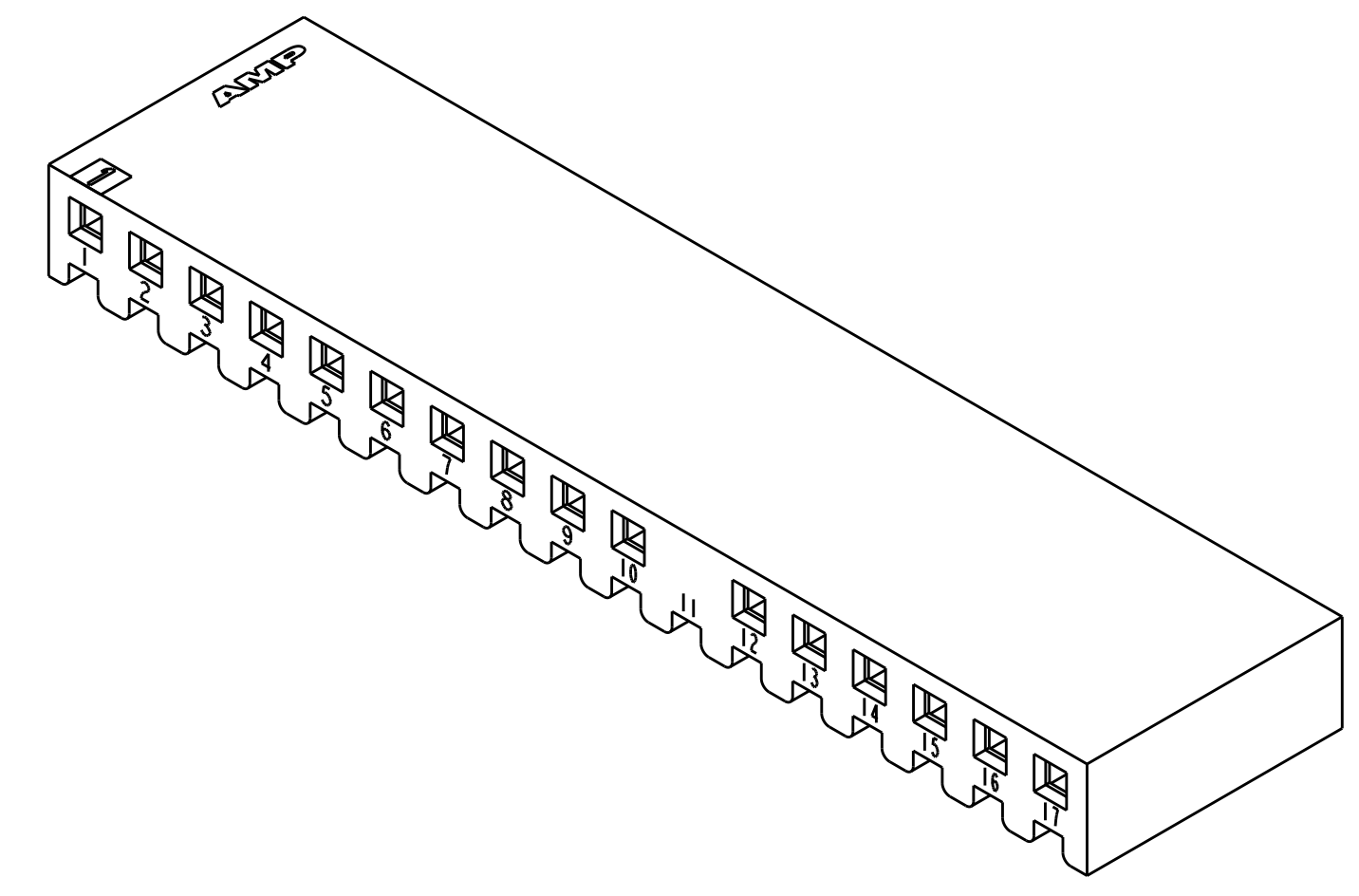
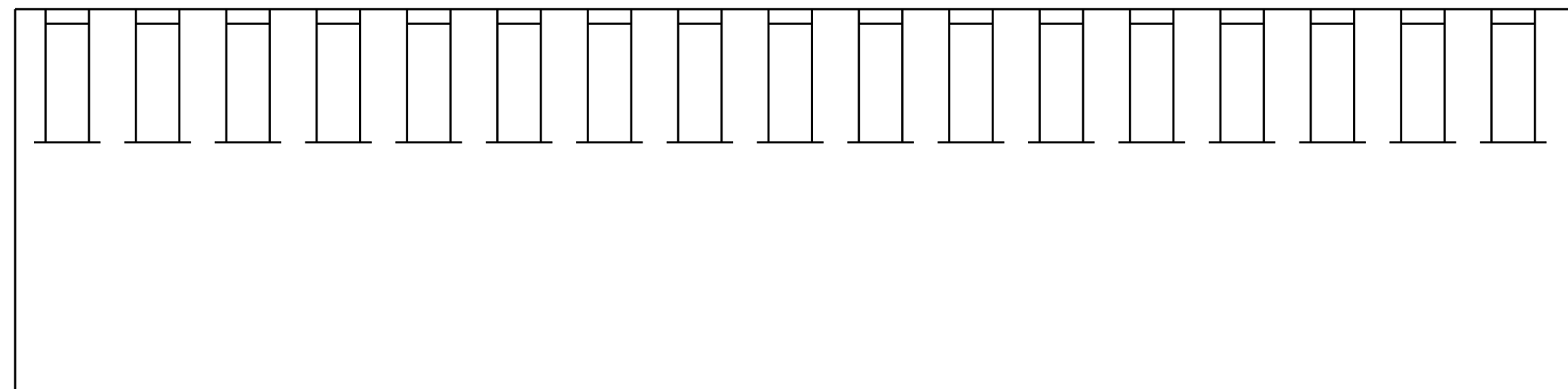
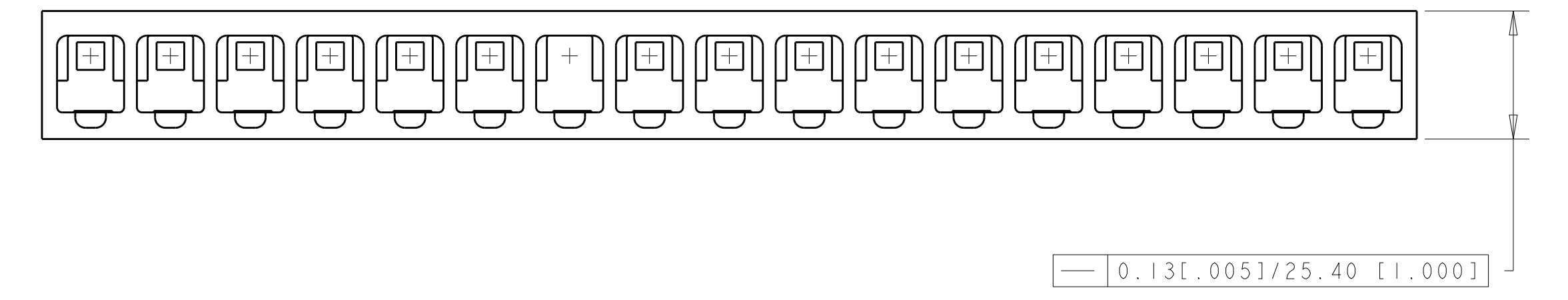


DETAIL A
SCALE 4:1

- UNIT ACCEPTS 1.14 [.045] SQUARE OR ROUND POST.
- UNIT ACCEPTS STANDARD SL-156 CONTACTS.
- UNIT ACCEPTS KEYING PLUG 640254-1 AND KEYING PIN 640255-1.
- CIRCUIT I.D. NUMBER(S) TO BE LOCATED SEQUENTIALLY AS SHOWN OR ONLY NO. 1 CIRCUIT PLACED ON LOCKING RAMP.
- DIMENSION IN BRACKETS ARE IN INCHES.
- DETAIL A SHOWS CIRCUIT 11 MOLDED CLOSED. EITHER OPTION 1 OR OPTION 2 MAY BE USED.
- ACCEPTS UP TO 2.79 [.110] INSULATION WIRE.



SECTION B-B



3-DIMENSIONAL MODEL
SCALE 3:1

| | |
|----------------|-------------|
| 17 | 1-647418-7 |
| NO OF CIRCUITS | PART NUMBER |

| | | | |
|----------------------------------------|----------|---------------------------------|-------------------------------------------------------------------------------------------------|
| THIS DRAWING IS A CONTROLLED DOCUMENT. | | DWN K. WHITAKER 11-FEB-04 | TE Connectivity |
| DIMENSIONS: mm [INCHES] | | CHK J. ELLIS 11-FEB-04 | |
| TOLERANCES UNLESS OTHERWISE SPECIFIED: | | APVD J. ELLIS 11-FEB-04 | NAME HOUSING, WITH LOCKING RAMP, SL-156, FOR LARGE WIRE INSULATION, CIRCUIT 11 BLOCKED |
| 0 PLC ± | 1 PLC ± | PRODUCT SPEC | SIZE A100779 |
| 2 PLC ± | 3 PLC ± | APPLICATION SPEC | CAGE CODE C=647418 |
| 4 PLC ± | ANGLES ± | RESTRICTED TO | SCALE 4:1 |
| MATERIAL NYLON, UL 94V-0 NATURAL | FINISH | WEIGHT | SHEET 1 OF 1 |
| CUSTOMER DRAWING | | REV B | |

X-ON Electronics

Largest Supplier of Electrical and Electronic Components

Click to view similar products for [Headers & Wire Housings](#) category:

Click to view products by [TE Connectivity](#) manufacturer:

Other Similar products are found below :

[95000-104TRLF](#) [10135584-644402LF](#) [DF62W-EP2022PCA](#) [95000-106TRLF](#) [DF62W-2022SCA](#) [DF62W-EP2022PC](#) [2203348](#) [DF62W-2022SC](#) [1084018](#) [1029039](#) [1084017](#) [802-10-012-10-002000](#) [1112640](#) [1112639](#) [891-007-9SS-BST1T](#) [000-34000](#) [0008550134](#) [0009482033](#) [0009507031](#) [57102-F02-18ULF](#) [57102-S06-03LF](#) [57202-S52-04LF](#) [PCN6-15S-2.5E](#) [0039019024](#) [58102-G61-06LF](#) [582553-1](#) [0009485154](#) [0009508121](#) [0022285053](#) [0050291907](#) [018731A](#) [LY20-4P-DT1-P1E-BR](#) [02.125.8002.8](#) [60101931](#) [60598-1 \(Cut Strip\)](#) [M1625-3R/100](#) [61062-3](#) [61082-181009](#) [CSU011177004](#) [636-1427](#) [638009-1](#) [641938-9](#) [641991-4](#) [644168-1](#) [644827-2](#) [647662-1](#) [65039-019ELF](#) [65692-001LF](#) [65781-018](#) [65781-047](#)