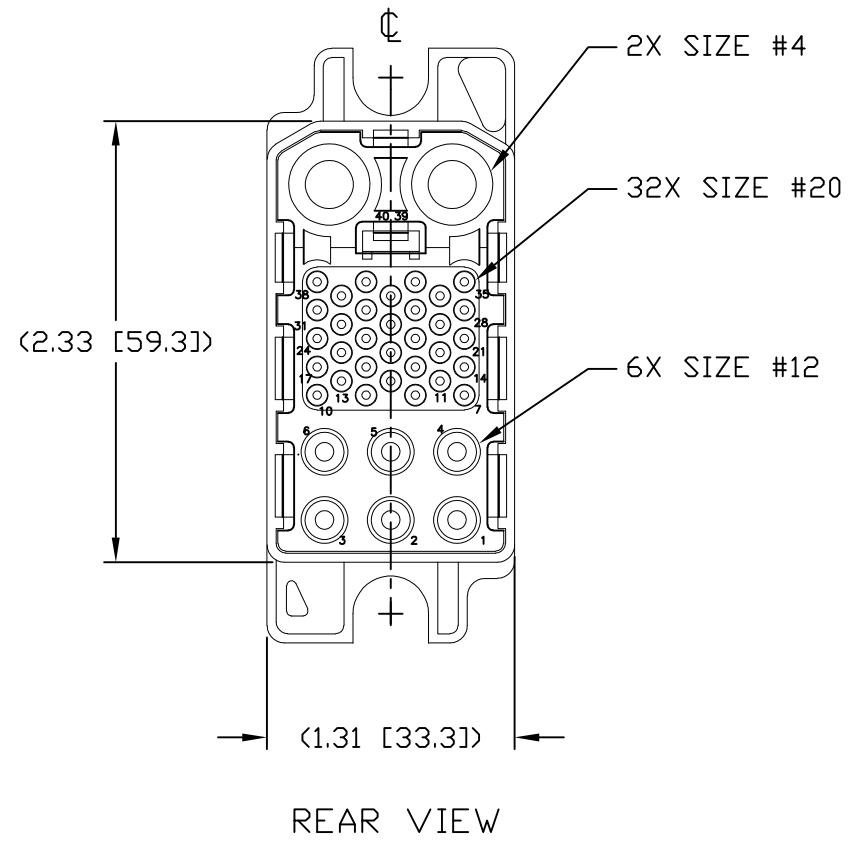
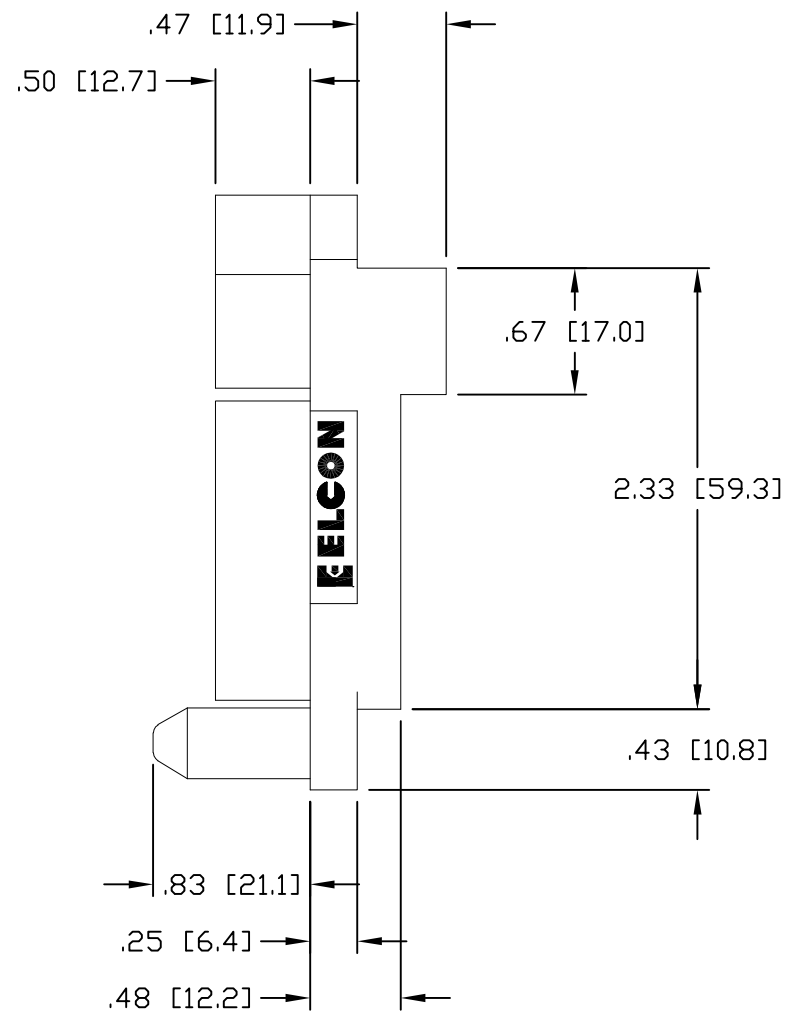
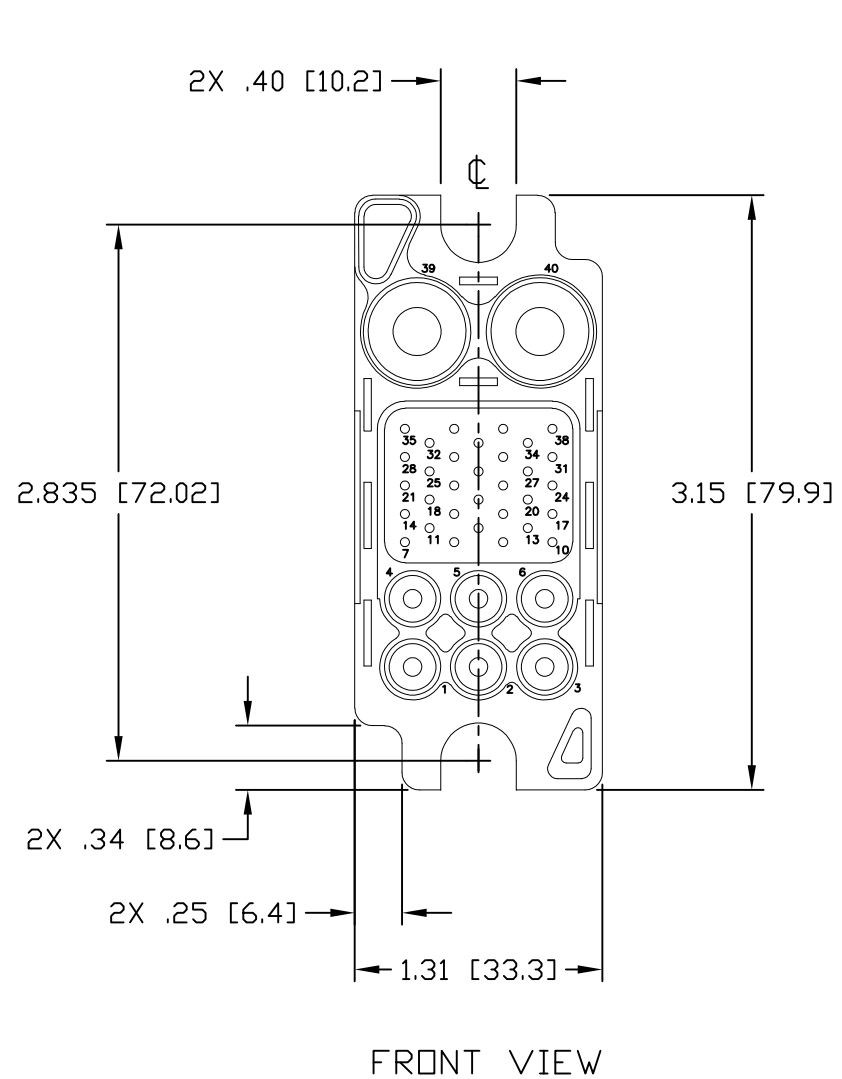


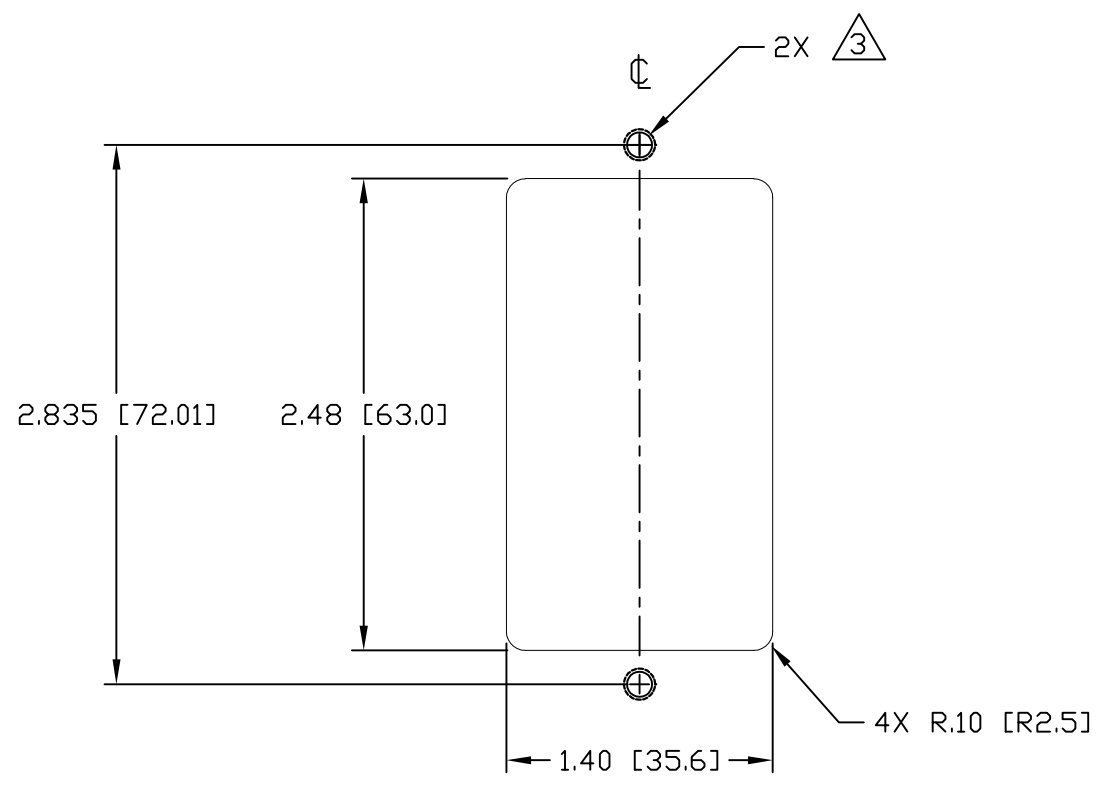
THIS DRAWING IS UNPUBLISHED. RELEASED FOR PUBLICATION EC LOC DIST REVISIONS

© COPYRIGHT - By - ALL RIGHTS RESERVED. - - - P LTR DESCRIPTION DATE DWN APVD

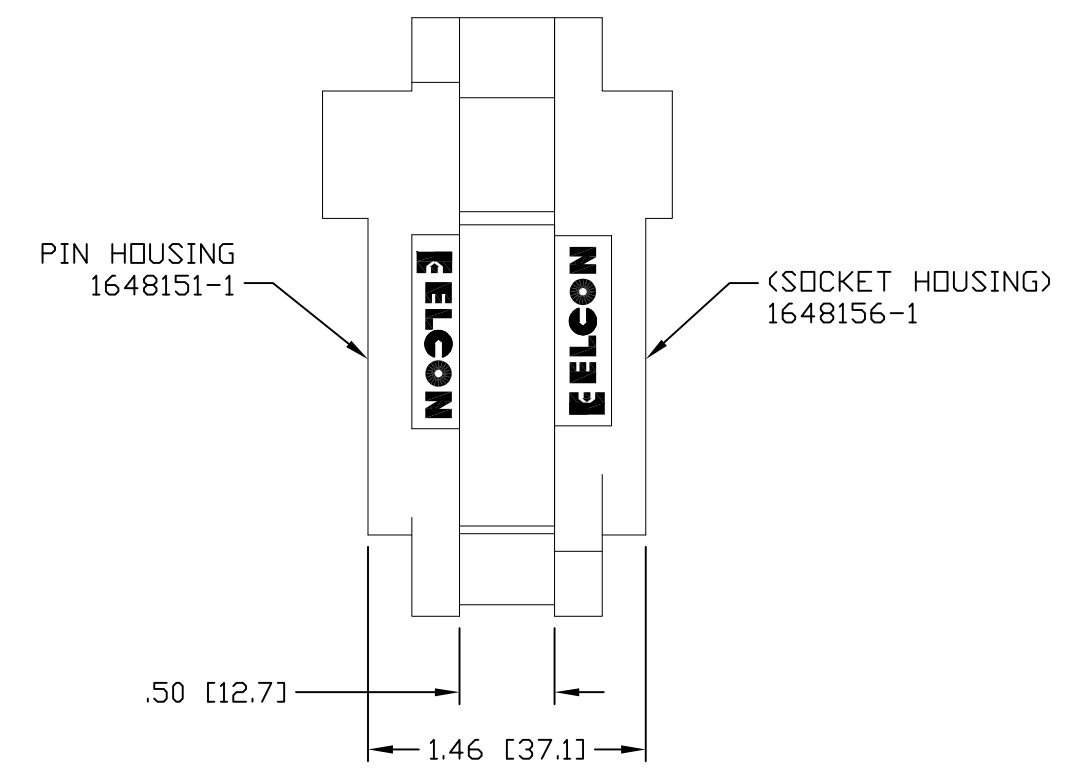
P	LTR	DESCRIPTION	DATE	DWN	APVD
-	-	SEE SHEET 1	-	-	-



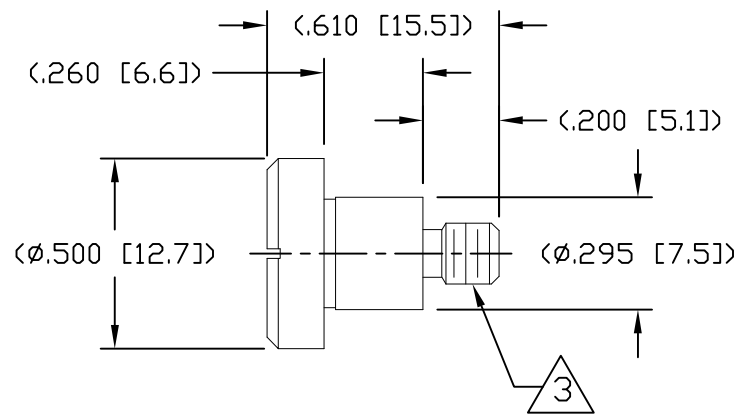
THIS DRAWING IS A CONTROLLED DOCUMENT.		DWN	03/25/06		STE TE Connectivity
		CHK	-		
DIMENSIONS:	TOLERANCES UNLESS OTHERWISE SPECIFIED:	APVD	03/25/06		NAME
INCH(MM)		STEVE FLICKINGER	-		
	0 PLC ± -	PRODUCT SPEC	-		CONNECTOR, PIN HOUSING 2X#4, 32X#20, 6X#12, FLOAT MOUNT 125A MIDDLE DRAWER
	1 PLC ± -	APPLICATION SPEC	-		
	2 PLC ± 0.02(0.3)	WEIGHT	-		SIZE
	3 PLC ± 0.010(0.25)		-		CAGE CODE
	4 PLC ± -		-		DRAWING NO
	ANGLES ± 0.5°		-		RESTRICTED TO
MATERIAL	FINISH		-		A3 00779
			-		C=1648151
		CUSTOMER DRAWING			SCALE
					1:1
					SHEET
					2 OF 3
					REV
					A1



RECOMMENDED PANEL CUTOUT
AS VIEWED FROM CONNECTOR MOUNTING SIDE
(FRONT VIEW)



MATED CONDITION



SHOULDER SCREW
SCALE 2:1
SHOWN FOR REFERENCE ONLY

THIS DRAWING IS A CONTROLLED DOCUMENT.		DWN HA NGUYEN	03/25/06	STE TE Connectivity			
DIMENSIONS: INCH(MM)		CHK -	-				
		TOLERANCES UNLESS OTHERWISE SPECIFIED:		USER INFORMATION RECOMMENDED PANEL CUTOUT AND MATED CONDITION			
		0 PLC ± - 1 PLC ± - 2 PLC ± 0.02(0.3) 3 PLC ± 0.010(0.25) 4 PLC ± - ANGLES ± 0.5°					
MATERIAL -		FINISH -		APVD STEVE FLICKINGER 03/25/06 NAME			
		PRODUCT SPEC -		APPLICATION SPEC -			
		WEIGHT -		SIZE	CAGE CODE	DRAWING NO	RESTRICTED TO
		CUSTOMER DRAWING		A3	00779	C-1648151	-
				SCALE	SHEET	REV	
				1:1	3 OF 3	A1	

X-ON Electronics

Largest Supplier of Electrical and Electronic Components

Click to view similar products for [Heavy Duty Power Connectors](#) category:

Click to view products by [TE Connectivity](#) manufacturer:

Other Similar products are found below :

[647757-1](#) [6643411-1](#) [6646058-2](#) [6646137-1](#) [6646138-1](#) [6646479-1](#) [6646608-1](#) [6646786-1](#) [6646940-1](#) [6651091-1](#) [6651525-1](#) [6651529-1](#)
[6651788-1](#) [696475-1](#) [702-32-01109](#) [703-25-02205](#) [73000005059](#) [73000005642](#) [73080255059](#) [73080965046](#) [765-15-0080A](#) [765-16-0080B](#)
[765-18-0080D](#) [829992-1](#) [902-77-02113](#) [PS00/A0620/6300](#) [PS25/A0420/63](#) [129-1J](#) [1409400](#) [AN0024023](#) [E6374G1](#) [e6389g2](#) [157-43GW8](#)
[MS3117-14AC](#) [1643543-1](#) [1650540-1](#) [1651811-2](#) [1766260-1](#) [1766282-1](#) [1766966-1](#) [1791340000](#) [NLDFT-3-BL-L-S120-M40A](#) [NLDFT-N-](#)
[W-L-C240-M40B](#) [NLS-2-R-C240-M40B](#) [NLS-N-W-C240-M40B](#) [NPS-3-BL-T6](#) [1986615-1](#) [2-1589900-8](#) [2199314-1](#) [KA8102](#)