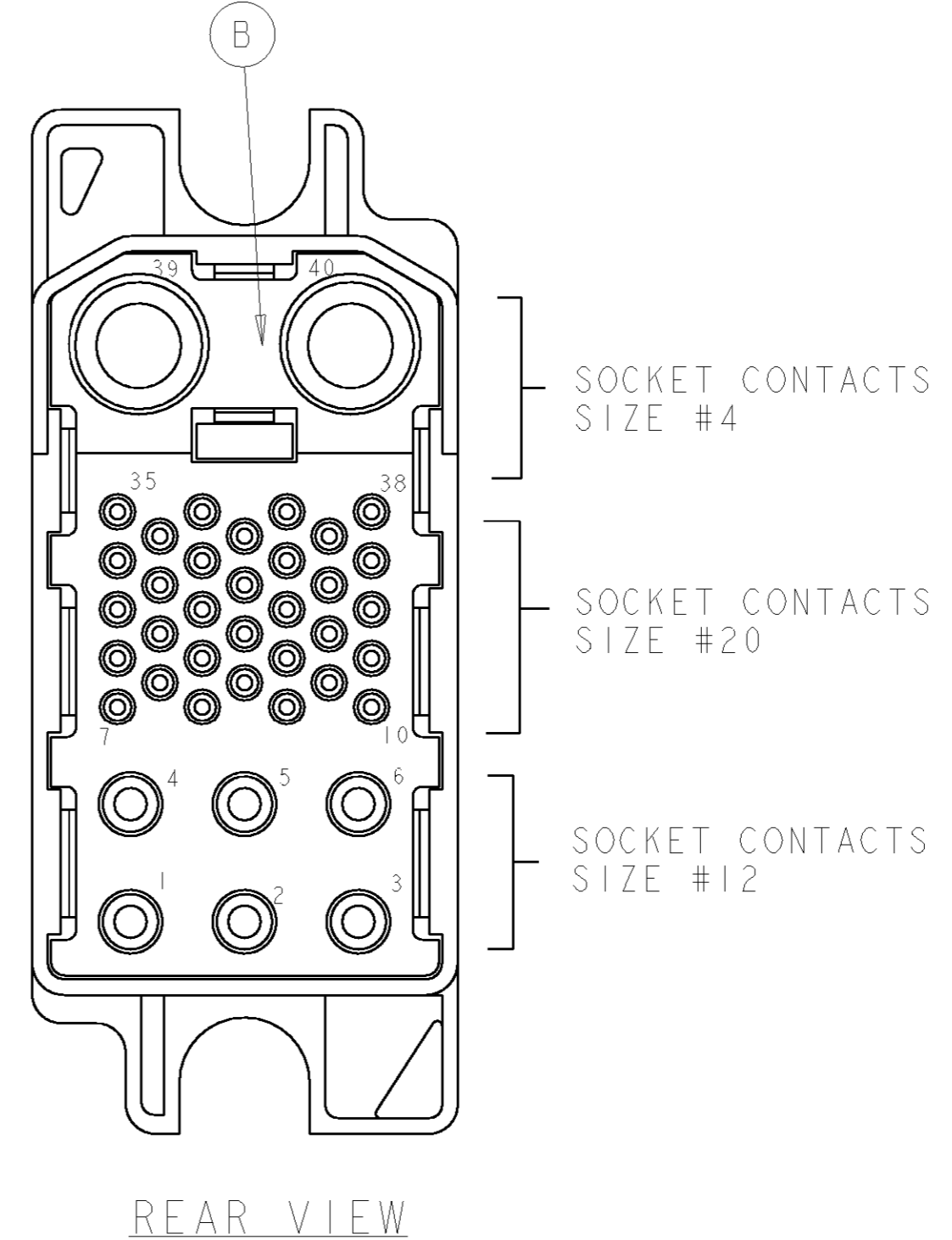
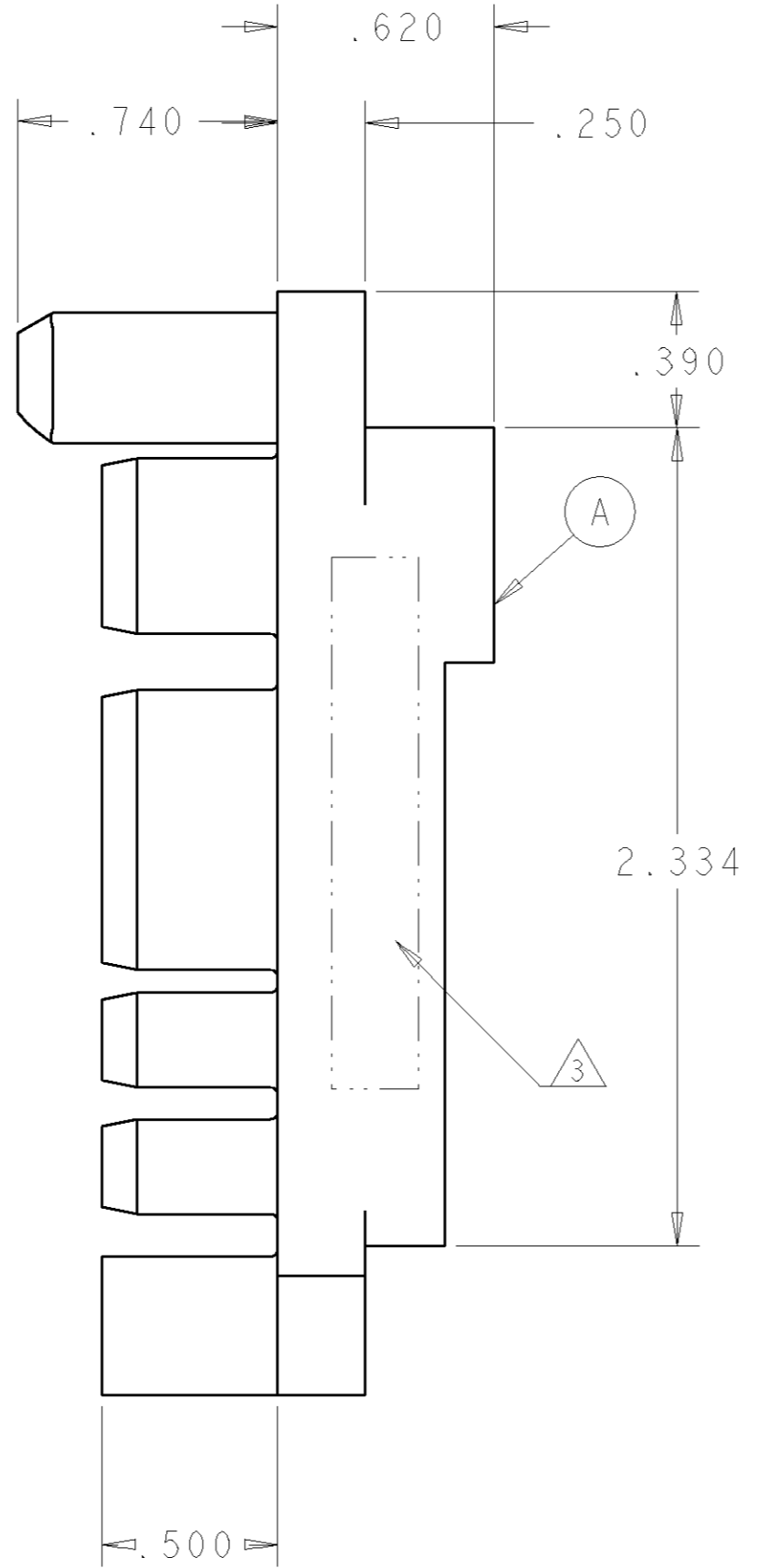
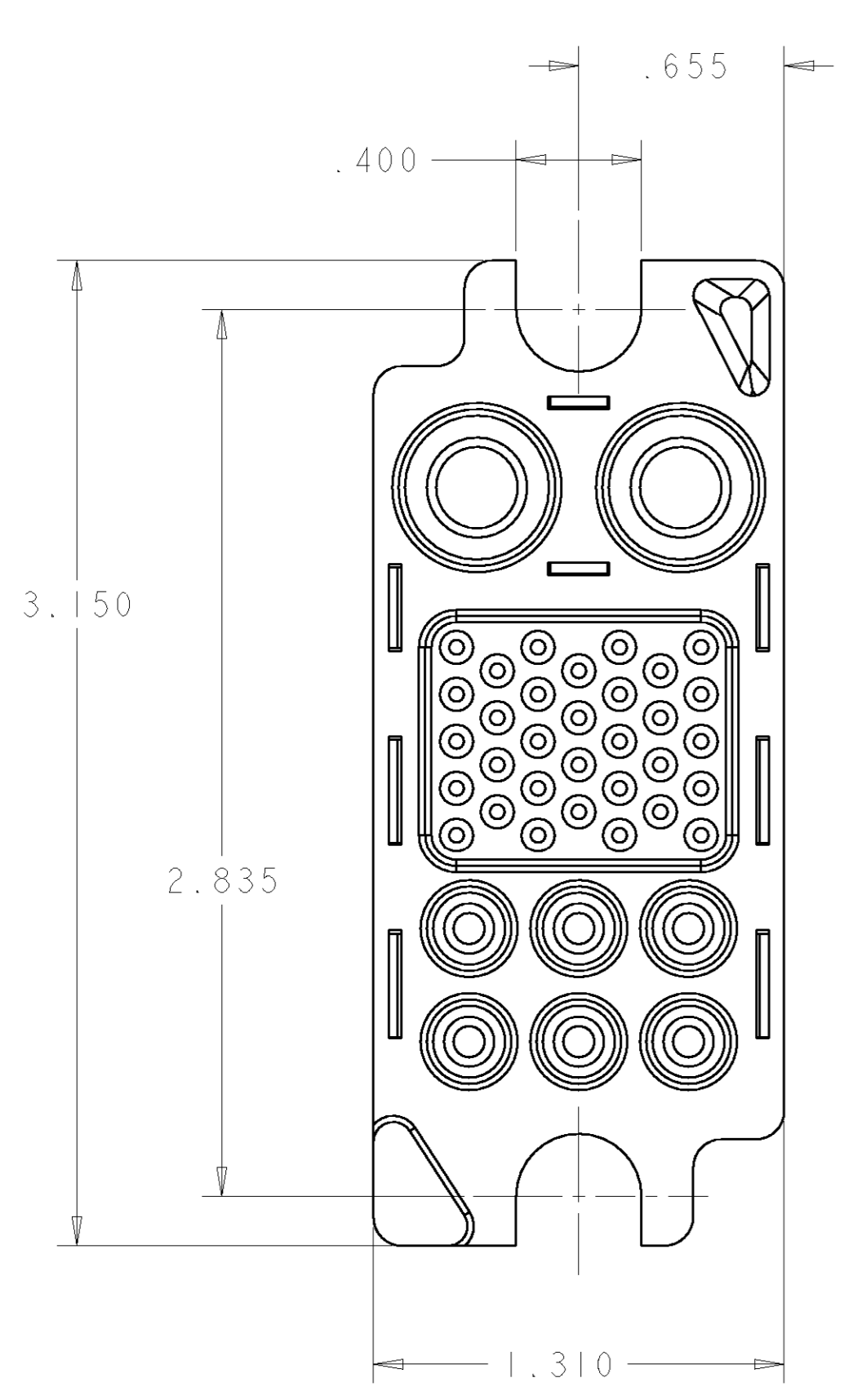


THIS DRAWING IS UNPUBLISHED. RELEASED FOR PUBLICATION 20  
 © COPYRIGHT 20 BY TYCO ELECTRONICS CORPORATION. ALL RIGHTS RESERVED.

| LOC | DIST | REVISIONS |     |             |           |     |      |
|-----|------|-----------|-----|-------------|-----------|-----|------|
| GP  | 00   | P         | LTR | DESCRIPTION | DATE      | DWN | APVD |
|     |      | A         |     | NEW RELEASE | 26APR2007 | RG  | DO   |



- PART NUMBER CHANGES AND OR DESIGN CHANGES AFFECTING THE INTERCHANGEABILITY REQUIRE PRIOR TYCO APPROVAL AND AUTHORIZATION BY REVISION TO THIS DRAWING.
- MATERIAL:  
 INSULATOR: THERMOPLASTIC, GLASS REINFORCED, UL 94V-0 FLAMMABILITY RATED, COLOR: BLACK  
 RETENTION CLIP: BERYLLIUM COPPER OR STAINLESS STEEL

△ ITEMS PROVIDED TO THIS SPECIFICATION TO BE PERMANENTLY IDENTIFIED PER THE FOLLOWING IDENTIFIER:

TYCO PART NUMBER  
 XXXXXXXX-X

YEAR WEEK  
 DATE CODE (e.g. 0216)  
 XXXX

|    |             |                        |      |
|----|-------------|------------------------|------|
| 6  | 1650489-1   | CLIP, RETENTION, #12   | E    |
| 32 | 1650484-1   | CLIP, RETENTION, #20   | D    |
| 2  | 1650485-1   | CLIP, RETENTION, #4    | C    |
| 1  | 1648636-1   | HOUSING, SOCKET, REAR  | B    |
| 1  | 1648633-1   | HOUSING, SOCKET, FRONT | A    |
| -1 | PART NUMBER | DESCRIPTION            | ITEM |

|                        |  |  |  |   |  |   |  |
|------------------------|--|--|--|---|--|---|--|
| DIMENSIONS: INCHES<br> |  | TOLERANCES UNLESS OTHERWISE SPECIFIED:<br>0 PLC ±<br>1 PLC ±<br>2 PLC ±.01<br>3 PLC ±.006<br>4 PLC ±<br>ANGLES ±<br>FINISH |  | DWN R. GRZYBOWSKI 26APR07<br>CHK D. ORRIS 26APR07<br>APVD S. FLICKINGER 26APR07<br>PRODUCT SPEC<br>APPLICATION SPEC<br>WEIGHT<br>CUSTOMER DRAWING |  | <b>tyco</b> Tyco Electronics<br>Harrisburg, PA 17105-3608<br>NAME CONNECTOR, SOCKET<br>FLOAT MOUNT<br>125A MIDDLE DRAWER<br>SIZE CAGE CODE DRAWING NO RESTRICTED TO<br>A200779G-1648156 -<br>SCALE 3:1 SHEET 1 OF 1 REV A |  |
|------------------------|--|--|--|---|--|---|--|

**ELCON MIDDLE DRAWER**

## X-ON Electronics

Largest Supplier of Electrical and Electronic Components

*Click to view similar products for [Heavy Duty Power Connectors](#) category:*

*Click to view products by [TE Connectivity](#) manufacturer:*

Other Similar products are found below :

[647757-1](#) [6643411-1](#) [6646058-2](#) [6646137-1](#) [6646138-1](#) [6646479-1](#) [6646608-1](#) [6646786-1](#) [6646940-1](#) [6651091-1](#) [6651525-1](#) [6651529-1](#)  
[6651788-1](#) [696475-1](#) [702-32-01109](#) [703-25-02205](#) [73000005059](#) [73000005642](#) [73080255059](#) [73080965046](#) [765-15-0080A](#) [765-16-0080B](#)  
[765-18-0080D](#) [829992-1](#) [902-77-02113](#) [PS00/A0620/6300](#) [PS25/A0420/63](#) [129-1J](#) [1409400](#) [AN0024023](#) [E6374G1](#) [e6389g2](#) [157-43GW8](#)  
[MS3117-14AC](#) [1643543-1](#) [1650540-1](#) [1651811-2](#) [1766260-1](#) [1766282-1](#) [1766966-1](#) [1791340000](#) [NLDFT-3-BL-L-S120-M40A](#) [NLDFT-N-](#)  
[W-L-C240-M40B](#) [NLS-2-R-C240-M40B](#) [NLS-N-W-C240-M40B](#) [NPS-3-BL-T6](#) [1986615-1](#) [2-1589900-8](#) [2199314-1](#) [KA8102](#)